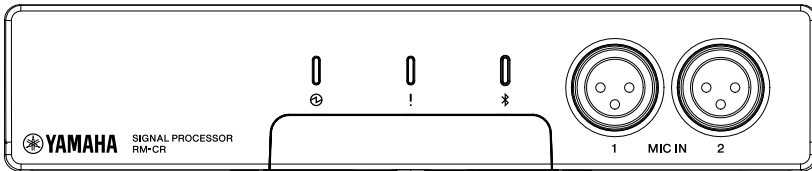




SIGNAL PROCESSOR
PROCESSEUR DE SIGNAUX AUDIO
СИГНАЛЬНЫЙ ПРОЦЕССОР
信号处理器会议终端

RM-CR



- EN** Installation Manual
- DE** Installationshandbuch
- FR** Manuel d'installation
- ES** Manual de instalación
- PT** Manual de instalação
- IT** Manuale di installazione
- RU** Руководство по установке
- ZH** 安装说明书
- KO** 설치설명서
- JA** 施工説明書

English

Deutsch

Français

Español

Português

Italiano

Русский

中文

한국어

日本語

FCC INFORMATION (U.S.A.)

1. IMPORTANT NOTICE:

DO NOT MODIFY THIS UNIT!

This product, when installed as indicated in the instructions contained in this manual, meets FCC requirements. Modifications not expressly approved by Yamaha may void your authority, granted by the FCC, to use the product.

- 2. IMPORTANT:** When connecting this product to accessories and/or another product use only high quality shielded cables. Cable/s supplied with this product MUST be used. Follow all installation instructions. Failure to follow instructions could void your FCC authorization to use this product in the USA.

- 3. NOTE:** This equipment has been tested and found to comply with the limits for a Class A digital device, pursuant to Part 15 of the FCC rules. These limits are designed to provide reasonable protection against harmful interference when the equipment is operated in a commercial environment. This equipment generates, uses and can radiate radio frequency energy and, if not installed and used in accordance with the instruction manual, may cause harmful interference to radio communications. Operation of this equipment in a residential area is likely to cause harmful interference in which case the user will be required to correct the interference at his own expense.

(class A)

COMPLIANCE INFORMATION STATEMENT (Supplier's declaration of conformity procedure)

Responsible Party: Yamaha Unified Communications, Inc.
Address: 144 North Rd, Suite 3250 Sudbury, MA 01776
Telephone: 800-326-1088
Type of Equipment: Signal Processor
Model Name: RM-CR

This device complies with Part 15 of the FCC Rules.

Operation is subject to the following conditions:

- 1) this device may not cause harmful interference, and
- 2) this device must accept any interference received including interference that may cause undesired operation.

(SDoc)

CONTENTS

PRECAUTIONS	4
NOTICE	6
INFORMATION	7
INTRODUCTION	9
Included items	9
Separately sold items	9
Manual structure	9
CONTROLS AND CONNECTORS	10
Front Panel	10
Rear panel	12
Side panel	13
Bottom panel	14
INSTALLATION IN A RACK	15
INSTALLATION ON A DESK	17
MAIN SPECIFICATIONS	19
Dimensional diagram	22

The model number, serial number, power requirements, etc., may be found on or near the name plate, which is at the bottom of the unit. You should note this serial number in the space provided below and retain this manual as a permanent record of your purchase to aid identification in the event of theft.

Model No.

Serial No.

(bottom_en_01)

PRECAUTIONS

PLEASE READ CAREFULLY BEFORE PROCEEDING

Please keep this manual in a safe place for future reference.

Yamaha cannot be held responsible for damage caused by improper use or modifications to the product, or data that is lost or destroyed.



WARNING

Always follow the basic precautions listed below to avoid the possibility of serious injury or even death from electrical shock, short-circuiting, damages, fire or other hazards. These precautions include, but are not limited to, the following:

Fire warning

- Do not place any burning items or open flames near the product, since they may cause a fire.

Hearing loss

- Before turning the power of all devices on or off, make sure that all volume levels are set to the minimum. Failing to do so may result in hearing loss, electric shock, or device damage.
- When turning on the AC power in your audio system, always turn on the power amplifier LAST, to avoid hearing loss and speaker damage. When turning the power off, the power amplifier should be turned off FIRST for the same reason.

Wireless unit

- Do not use this product near medical devices or inside medical facilities. Radio waves from this product may affect electro-medical devices.
- Do not use this product within 15 cm (6 in) of persons with a heart pacemaker implant or a defibrillator implant. Radio waves from this product may affect electro-medical devices, such as a heart pacemaker implant or defibrillator implant.



CAUTION

Always follow the basic precautions listed below to avoid the possibility of physical injury to you or others. These precautions include, but are not limited to, the following:

If you notice any abnormality

- If any of the following problems occur, immediately turn off the PoE injector or the PoE network switch and disconnect the cable.
 - The LAN cable damaged.
 - Unusual smells or smoke are emitted.
 - Some object, or water has been dropped into the product.
 - There is a sudden loss of sound during use of the product.
 - Cracks or other visible damage appear on the product.

Then have the product inspected or repaired by qualified Yamaha service personnel.

Location and connection

- When connecting this product with a PoE injector or the PoE network switch, use a CAT5e or higher LAN cable, which supports the maximum power supply voltage (57 V) of the IEEE 802.3at standard. If you connect a cable that does not comply with specifications, or connect a flat type or slim type cable, fire or malfunctions might occur.
- Do not damage the LAN cable. Failure to observe this precaution could result in fire, electric shock, or damage to the product.
 - Do not place heavy objects on the cable.
 - Do not process the cable in any way.
 - Do not use staples to fix the cable in place.
 - Do not apply excessive force to the cable.
 - Be sure to keep the cable away from anything hot.
- Do not place the product in an unstable position or a location with excessive vibration, where it might accidentally fall over and cause injury.
- Keep this product out of reach of children. This product is not suitable for use in locations where children are likely to be present.
- Do not block the vents. This product has ventilation holes at the rear/sides to prevent the internal temperature from becoming too high. In particular, do not place the product on its side or upside down. Inadequate ventilation can result in overheating, possibly causing damage to the product(s), or even fire.
- When installing the product:
 - Do not cover it with any cloth.
 - Do not install it on a carpet or rug.
 - Make sure the top surface faces up; do not install on its sides or upside down.
 - Do not use the product in a confined, poorly-ventilated location.Inadequate ventilation can result in overheating, possibly causing damage to the product(s), or even fire.
- If the product is mounted in an EIA standard rack, carefully read the section “Please read before mounting the unit into a rack” on page 15. Inadequate ventilation can result in overheating, possibly causing damage to the product(s), malfunction, or even fire.
- Do not place the product in a location where it may come into contact with corrosive gases or salt air. Doing so may result in malfunction.
- Before moving the product, remove all connected cables.
- Do not route cables where someone might trip over them, such as in a location where people pass. Tripping on a cable may cause a person or this product to fall down, resulting in personal injury or damage to the product.
- Do not use the separately sold RM-MTL mounting accessory to attach the unit to a ceiling or wall that is higher than 2 meters. If the unit falls, injury or damage might occur.
- Always consult qualified Yamaha service personnel if the product installation requires construction work. Improper installation might cause accidents, injuries, damage or malfunction of this product.

Do not open

- This product contains no user-serviceable parts. Do not attempt to disassemble the internal parts or modify them in any way.

Water warning

- Do not expose the product to rain, use it near water or in damp or wet conditions, or place on it any containers (such as vases, bottles or glasses) containing liquids which might spill into any openings.
- Never insert or remove a cable with wet hands.

Handling caution

- Do not insert your fingers or hands in any gaps or openings on the product (vents, etc.).
- Do not rest your weight on the product or place heavy objects on it.

Backup battery

- Do not replace the backup battery by yourself. Doing so may cause an explosion and/or damage to the product(s).

NOTICE

Handling and maintenance

- Do not connect this product to public Wi-Fi and/or Internet directly. Only connect this product to the Internet through a router with strong password-protections. Consult your router manufacturer for information on security best practices.
- Do not use the product in the vicinity of a TV, radio, or other electric products. Otherwise, the product, TV, or radio may generate noise.
- Do not expose the product to excessive dust or vibration, or extreme cold or heat, in order to prevent the possibility of panel disfiguration, unstable operation, or damage to the internal components.
- Do not install in locations where temperature changes are severe. Otherwise, condensation may form on the inside or the surface of the product, causing it to break.
- If there is reason to believe that condensation might have occurred, leave the product for several hours without turning on the power until the condensation has completely dried out, in order to prevent possible damage.
- Do not place vinyl, plastic or rubber objects on the product, since this might cause alteration or discoloration of the panel.
- When cleaning the product, use a dry and soft cloth. Do not use paint thinners, solvents, cleaning fluids, or chemical-impregnated wiping cloths, since this might cause alteration or discoloration.
- The rubber feet included in this package can be attached to the product to prevent slippage when it is to be used on a slippery surface.

INFORMATION

About functions/data bundled with the product



- This is a class A product. Operation of this product in a residential environment could cause radio interference.
- Refer to the website below for the licensing terms of the open source software used in this product.
U.S.A. and Canada
<https://uc.yamaha.com/support/>
Other Countries
<https://download.yamaha.com/>
- This product uses Dante Broadway.
Refer to the Audinate website (English) for details on the open source licenses for the particular software.
<https://www.audinate.com/software-licensing>
- XLR-type connectors are wired as follows (IEC60268 standard):
pin 1: ground, pin 2: hot (+), and pin 3: cold (-).



The Bluetooth® word mark and logos are registered trademarks owned by Bluetooth SIG, Inc. and any use of such marks by Yamaha Corporation is under license.

About this manual

- This Installation Manual uses the following signal words for the important information:

 WARNING	This content indicates “risk of serious injury or death.”
 CAUTION	This content indicates “risk of injury.”
NOTICE	Indicates content that you must observe in order to prevent the product from malfunctioning, being damaged, or operating incorrectly, and to avoid data loss.
IMPORTANT	Indicates content that you must know in order to operate and use the product correctly.
NOTE	Indicates information that is related to operation and use. Read this for your reference.

- The illustrations as shown in this manual are for instructional purposes only.
- The company names and product names in this manual are the trademarks or registered trademarks of their respective companies.
- Software may be revised and updated without prior notice.
- The contents of this manual apply to the latest specifications as of the publishing date. To obtain the latest manual, access the Yamaha website then download the manual file.

About disposal

- This product contains recyclable components. When disposing of this product, please contact the appropriate local authorities.



廢電池請回收

Information for users on collection and disposal of old equipment:



This symbol on the products, packaging, and/or accompanying documents means that used electrical and electronic products should not be mixed with general household waste.

For proper treatment, recovery and recycling of old products, please take them to applicable collection points, in accordance with your national legislation.

By disposing of these products correctly, you will help to save valuable resources and prevent any potential negative effects on human health and the environment which could otherwise arise from inappropriate waste handling.

For more information about collection and recycling of old products, please contact your local municipality, your waste disposal service or the point of sale where you purchased the items.

For business users in the European Union:

If you wish to discard electrical and electronic equipment, please contact your dealer or supplier for further information.

Information on Disposal in other Countries outside the European Union:

This symbol is only valid in the European Union. If you wish to discard these items, please contact your local authorities or dealer and ask for the correct method of disposal.

INTRODUCTION

Thank you for purchasing the RM-CR signal processor. This product is a signal processor that produces high-quality and pleasant audio for remote conferences held in medium-sized meeting rooms of offices. Be sure to read this manual before using the product. Please retain this manual in a safe location for future reference.

Included items

- Installation manual (this document)
- Access panel (with screw)
- USB cable (A-B type, 5 meters, for voice communication)
- USB cable (A-micro B type, 1 meter, for setup)
- Rubber feet (4 pcs.)

Separately sold items

- **RM-MRK mounting accessory**

This is required when installing the product in a 19-inch rack.

For details on attaching the RM-MRK, refer to “INSTALLATION IN A RACK” (page. 15).

- **RM-MTL mounting accessory**

This is required when installing the product on the underside of a desk.

For details on attaching the RM-MTL, refer to “INSTALLATION ON A DESK” (page. 17).

Manual structure

Regarding this product, the following materials are available in addition to this installation manual.

- **RM-CR reference manual**

This explains connections between this device and external devices, and settings via the web UI.

Related documents can be downloaded from the following website.

U.S.A. and Canada

<https://uc.yamaha.com/support/>

Other Countries

<https://download.yamaha.com/>

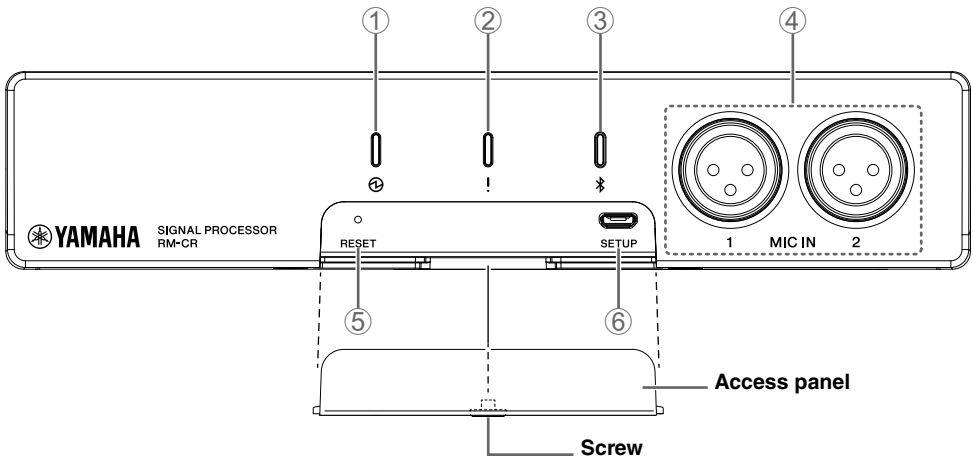
CONTROLS AND CONNECTORS

Front Panel

The explanation here uses an illustration depicting the state in which the product is shipped.

After you have made settings, use the screw to fasten the included access panel so that the [RESET] button and the [SETUP] port are inaccessible.

For details on each indicator, refer to “RM-CR Reference Manual.”



① (Power) indicator

This is the power supply indicator. It is lit when power is being correctly supplied to the rear panel [Dante/PoE] port.

② ! (Status) indicator

This indicates the status of the unit.

③ (Bluetooth) button / indicator

Press to pair with a smartphone via Bluetooth.

By connecting to a smartphone, you can exchange audio with a remote location.

④ [MIC IN] 1/2 jacks

These are XLR jacks (balanced) for connecting dynamic mics. Do not connect condenser mics here.

⑤ [RESET] button

Use a fine-pointed object such as an eject pin to press this button.

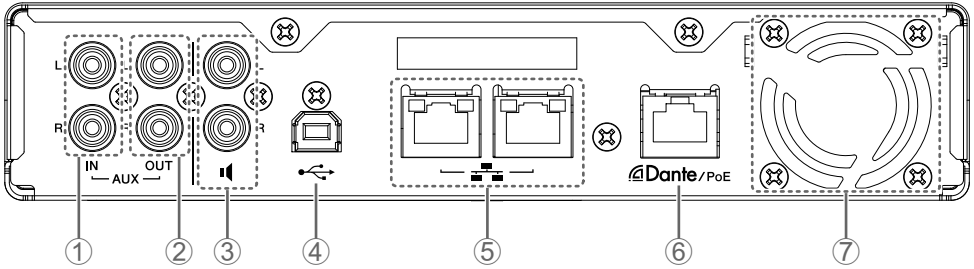
Long press	Status indicator	Reset target
4 seconds to less than 8 seconds	Flashes twice per second	Network-related settings
8 seconds to less than 12 seconds	Flashes three times per second	All settings (automatically restarts after initialization)

Long-pressing this button for less than 4 seconds or for 12 seconds or more does not reset anything.

⑥ [SETUP] port

This port is for connection to a computer so that settings can be made via a web browser. Use the included USB cable (A-micro B type) for this connection. For details on settings, refer to “RM-CR Reference Manual.”

Rear panel



① [AUX IN] L/R jacks

These are RCA jacks (unbalanced) for audio input. Use these jacks if the audio from the remote location is analog.

② [AUX OUT] L/R jacks

These are RCA jacks (unbalanced) for audio output. Use these jacks if the audio to the remote location is analog.

③ Speaker jacks

These are RCA jacks (unbalanced) for audio output. Use these jacks if the powered speaker or power amp used in the remote location does not support Dante.

④ USB port

Use this port when connecting to a computer to exchange audio with a remote location. Use the included USB cable (A-B type) for this connection.

⑤ Network ports

These are RJ-45 ports to which you can connect LAN cables (CAT5e or higher) for remote administration and settings via the company network, etc.

DHCP is specified by default. If you want to use a specific IP address, use the web UI to specify the IP address before connecting to the company network. For details on settings, refer to “RM-CR Reference Manual.”

You can also connect to a public network for exchanging audio with a remote location via the SIP protocol.

Notice : The maximum usable cable length is 100 meters.

: To prevent electromagnetic interference, use STP (Shielded Twisted Pair) cables.

⑥ [Dante/PoE] port

This is an RJ-45 port to which you can connect an LAN cable (CAT5e or higher) via an IEEE802.3at compliant a PoE injector or the PoE network switch to a Dante unit such as the RM-CG.

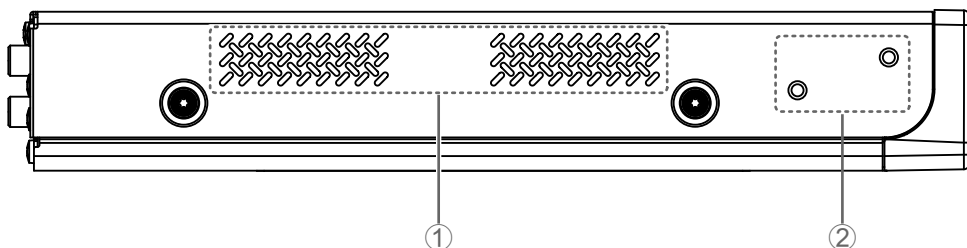
- Notice** :
- Do not connect any device here other than a Dante-compatible device or a device (including a computer) that supports gigabit Ethernet.
 - The maximum usable cable length is 100 meters.
 - To prevent electromagnetic interference, use an STP (Shielded Twisted Pair) cable.

⑦ Exhaust vent

This product is equipped with a cooling fan. Hot air is exhausted from this vent, so take care that the vent is not blocked by any obstruction.

Side panel

This explanation uses an illustration of the left side as seen from the front.



① Intake vent

Cooling air is taken in through this vent, so take care that the vent is not blocked by any obstruction. You should also clean this vent periodically. If dust accumulates on this vent, the temperature inside the unit might rise, causing the unit does not operate normally.

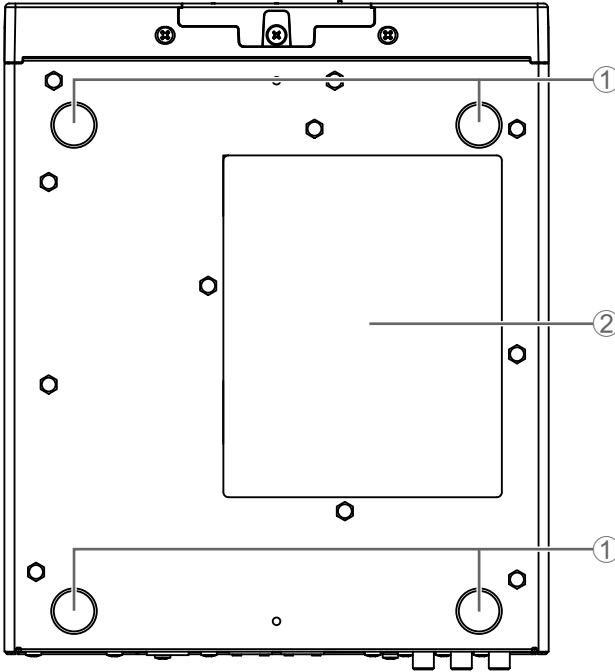
② Mounting accessory attachment holes

Use these when attaching the RM-MRK or RM-MTL mounting accessory.

For details on attaching the RM-MRK, refer to “INSTALLATION IN A RACK” (page. 15).

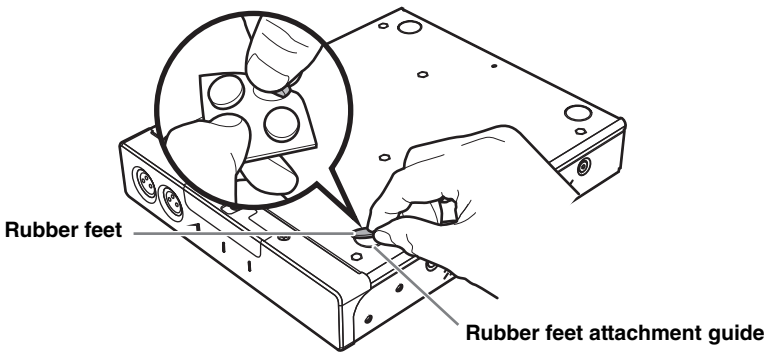
For details on attaching the RM-MTL, refer to “INSTALLATION ON A DESK” (page. 17).

Bottom panel



① Rubber foot attachment guides

These are the locations at which to attach the included rubber feet. Attach the included rubber feet as shown in the illustration.



② Product label

This shows the model name, serial number, and MAC address of this unit.

INSTALLATION IN A RACK

Use the separately sold RM-MRK mounting accessory to install the unit.

Please read before mounting the unit into a rack

This product is warranted to operate in a temperature range of 0–40°C. If this product is mounted in a rack together with other devices, there might be cases in which heat from the various devices causes the temperature inside the rack to rise, so that the product is unable to perform satisfactorily. To prevent the temperature inside the unit from rising, mount the unit in the rack in accordance with the requirements below.

- If this product is mounted together with devices that are prone to produce heat, such as power amps, leave at least 1U of space between it and other devices. Also, be sure to maintain sufficient ventilation in this space by installing a ventilation panel or leaving it open.
- Leave the rear panel of the rack open, and ensure that the rack is at least 10 cm away from the wall or ceiling to allow sufficient air circulation. If you cannot open the rear panel of the rack, install a commercially-available forced ventilation device, such as a fan kit. If you install a fan kit, closing the rear panel may work better for heat dissipation purposes. For more information, refer to the owner's manual for the rack and/or fan kit.

Caution: If you plan to relocate the rack, be sure to first remove this unit from the rack.



If this product is moved while mounted in a rack, vibration etc. might cause the mounting accessory to deform or break, possibly causing injury. There is also a possibility that this unit might malfunction.

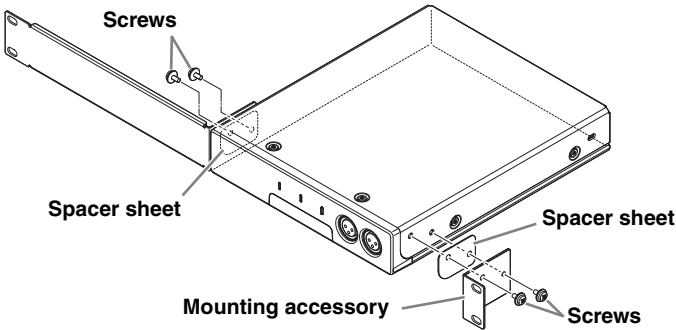
[Installation]

The example shown here is for when the long metal fixture is attached to the left side as seen from the front. The procedure can also be used when attaching the long metal fixture to the opposite side.

Notice: If the included rubber feet have already been attached to the unit, remove them.

1. When attaching each metal fixture, place the spacer sheet included between this unit and the metal fixture.

Using the attachment screws (4 pcs.) included with the mounting accessory, fasten a metal fixture to each side of this unit.

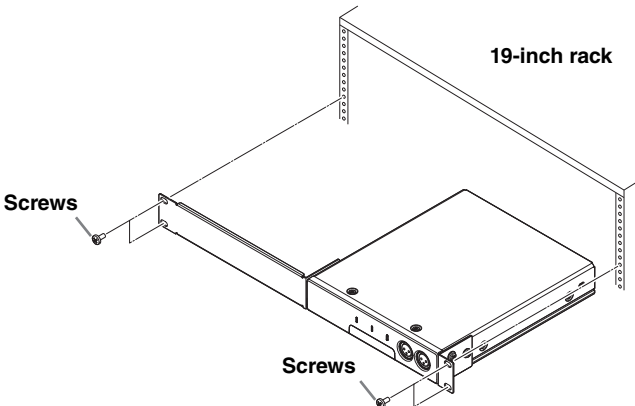


Warning: Use only the specified screws included with the mounting accessory.

If the unit falls, injury or damage might occur. This could also cause electric shock or malfunctions.

2. Attach the metal fixtures to the 19-inch rack.

Attach the metal fixtures to the 19-inch rack using the four included attachment screws of rack. Be sure to tighten the screws so that they will not get loosened.



INSTALLATION ON A DESK

Use the separately sold RM-MTL mounting accessory to install the unit.

Obtain four screws with a diameter of approximately 5 mm (M5 equivalent) that are appropriate for the material and thickness of the desktop.

Carry out the installation through step 4.



Warning: Do not attach this product to anything other than the underside of a desktop.

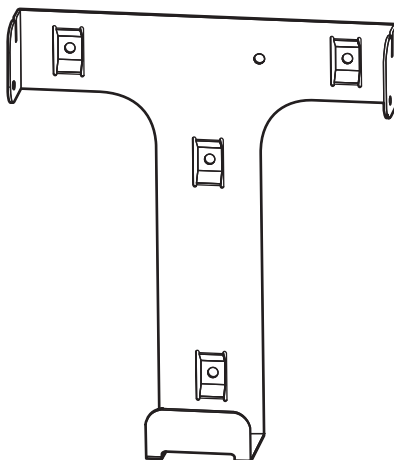
If the unit falls, injury or damage might occur.

Caution: Installation must be performed by a qualified installer. During installation, pay attention to the following points.



- Choose hardware and a location that is well able to support the weight of this unit
- Avoid locations that are subject to sustained vibration
- You must use the specified installation accessory
- Perform periodic maintenance checks

1. Using four commercially available screws approximately 5 mm in diameter, fasten the metal fixture to the underside of the desktop.



In the illustration above, the upper part is toward the front.

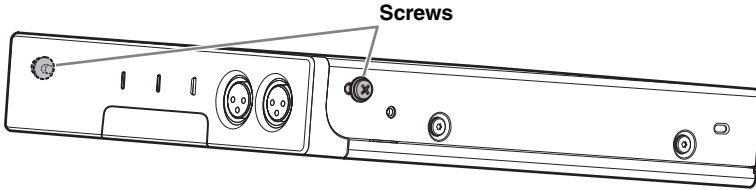


Warning: You must use screws that are appropriate for the material of the desktop.

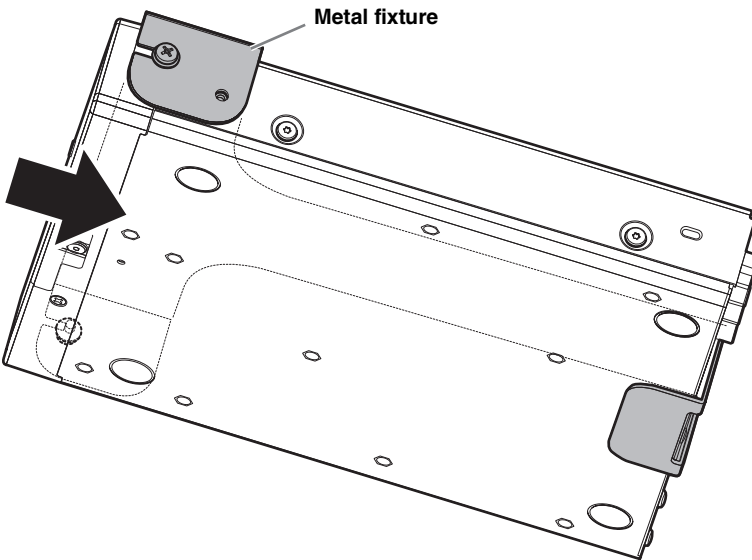
If the unit falls, injury or damage might occur.

2. Provisionally install the two included screws into the front holes of the mounting accessory attachment holes of this product.

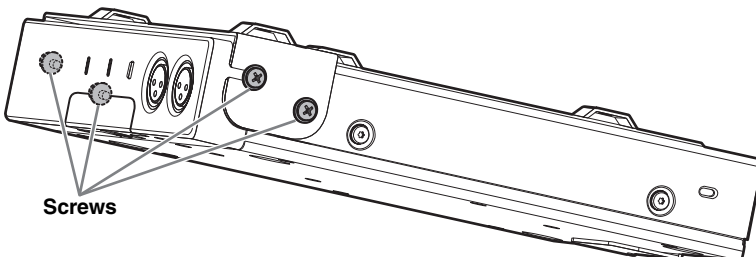
When doing so, leave a gap of approximately 2 mm between the side of the unit and the head of the screw, so that the screws can engage the metal fixture.



3. Slide the unit so that the screws you provisionally installed in step 2 engage the slots of the metal fixture attached under the desk.



4. Tighten the four screws in the attachment holes of the mounting accessory.



MAIN SPECIFICATIONS

General specifications

Dimensions		W215 mm × D264 mm × H44 mm
Weight		1.6 kg
Power supply		PoE+ (IEEE802.3at, LLDP), DC 48 V
Maximum power consumption		15.0 W
Temperature	Operating	0 °C – 40 °C
	Storage	–20 °C – 60 °C
Humidity	Operating	30% – 90% (non-condensing)
	Storage	20% – 90% (non-condensing)
Indicators		<ul style="list-style-type: none"> • Power • Status • Bluetooth • Network Port Indicator (×3)
Included items		Installation manual (this document), access panel (with screw), USB cable (A-B type), USB cable (A-micro B type), rubber feet (4 pcs.)
Separately sold items		Mounting accessory: RM-MTL Mounting accessory: RM-MRK

Audio specifications

Frequency response		20 Hz – 20 kHz	
Sampling rate		48 kHz	
Bit depth		24-bit	
Latency		8 [ms] (Dante In to USB Out, including signal processing)	
Audio interface	Dante	16 in × 16 out	
	USB	USB2.0 type-B, Audio Class 1.0 Input: 2ch, Output: 2ch @48 kHz	
	Mic Input	XLR balanced, Input 2ch	
	AUX	RCA unbalanced (Line Level), Input: 2ch, Output: 2ch	
	Speaker Out	RCA unbalanced (Line Level), Output: 2ch	
	Bluetooth	Version 4.2 Supported protocols: HFP (1.6), A2DP, AVRCP (1.6) Supported codecs: CVSD, SBC, mSBC Wireless output: Class 2 Maximum communication distance: 10 meters (no obstructions) Wireless frequencies (operating frequencies): 2,402 – 2,480 MHz Maximum output power (EIRP): 4.0 dBm (2.5 mW)	
	SIP	Call Handling	Dial, Answer, Hold, Resume, Forwarding, Do not disturb, Call ID, Voice Mail Notifications (switch configured)
		Call Bridging	Supports Bridging SIP, USB, BT and AUX Calls. Join, Split, Hold, Resume, 5+1 Lines: Up to 2 SIP calls, 1 USB call, 1 Bluetooth call, 1 AUX, plus the user
		Codecs	G.711, G.722HD, G.729ab, G.726
		DTMF Support	RTP event, SIP in-band, SIP info package
Security		SRTP Support (RFC 1889), IETF SIP support (RFC 3261 and companion RFCs)	

Network specifications

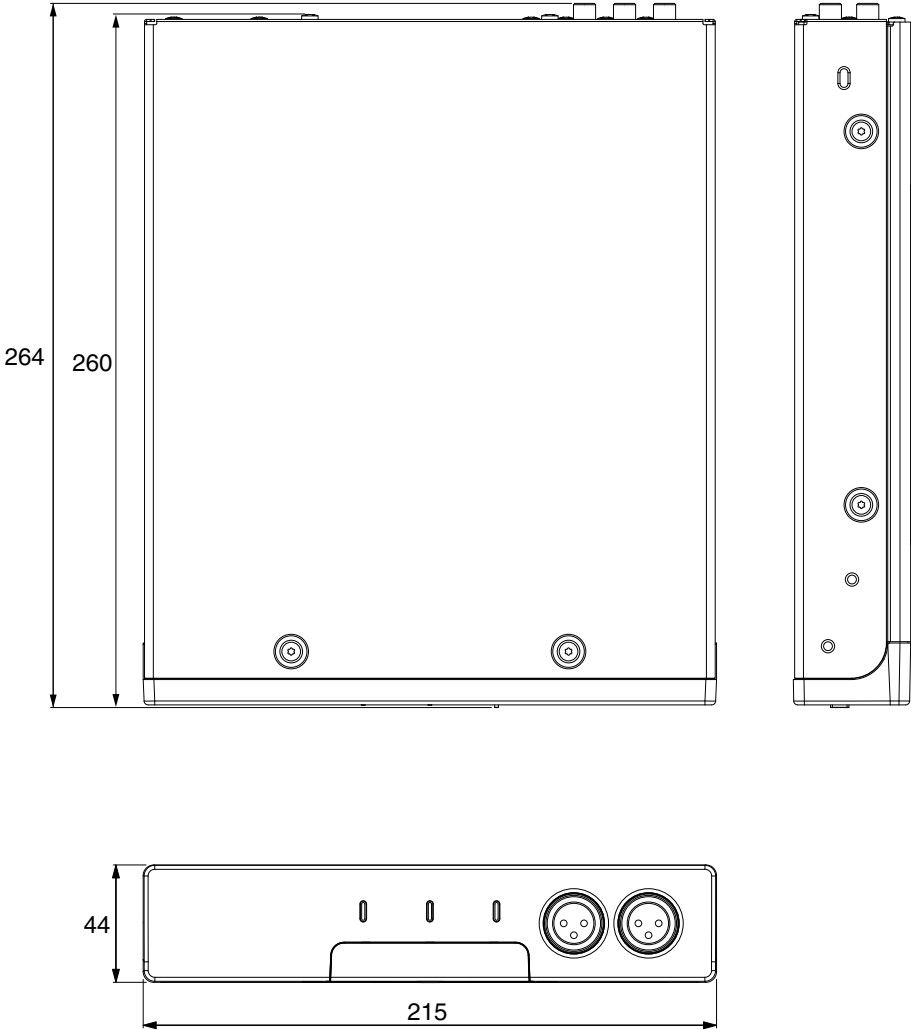
[Dante/PoE] port	Dante Audio/Dante Control, remote control, WebUI, PoE+ supported Cable requirements: CAT5e or higher, STP
Network ports	Corporate Network, remote control, SIP, WebUI Cable requirements: CAT5e or higher, STP
[SETUP] port	USB2.0 micro, Network Class, WebUI, fixed IP Cable requirement: USB cable (A-micro B type)

Input/output characteristics

Input Terminal	Actual Load Impedance	For Use With Nominal	Input Level		Connector
			Nominal	Max. Before Clip	
MIC IN 1, 2	2.2 k Ω	50 – 600 Ω	–46 dBu	–26 dBu	XLR-3-31 (Balanced)
AUX IN L, R	20 k Ω	1 k Ω	–14 dBV	+6 dBV	RCA PIN

Output Terminal	Actual Source Impedance	For Use With Nominal	Output Level		Connector
			Nominal	Max. Before Clip	
AUX OUT L, R	1 k Ω	10 k Ω	–14 dBV	+6 dBV	RCA PIN
SP OUT L, R	1 k Ω	10 k Ω	–14 dBV	+6 dBV	RCA PIN

Dimensional diagram



Unit: mm

INHALTSVERZEICHNIS

VORSICHTSMASSNAHMEN	24
ACHTUNG	26
INFORMATION	27
EINLEITUNG	29
Lieferumfang	29
Getrennt erhältliches Zubehör	29
Handbuchinhalt	29
BEDIENELEMENTE UND ANSCHLUSSBUCHSEN	30
Frontblende	30
Rückseite	32
Seitenwand	33
Unterseite	34
EINBAU IN EIN RACK	35
ANBAU AN EINEM TISCH	37
TECHNISCHE DATEN	39
Maßbild	42

Die Nummer des Modells, die Seriennummer, der Leistungsbedarf usw. sind auf dem Typenschild, das sich auf der Unterseite des Geräts befindet, oder in der Nähe davon angegeben. Sie sollten diese Seriennummer an der unten vorgesehenen Stelle eintragen und dieses Handbuch als dauerhaften Beleg für Ihren Kauf aufbewahren, um im Fall eines Diebstahls die Identifikation zu erleichtern.

Modell Nr.

Seriennr.

(bottom_de_01)

VORSICHTSMASSNAHMEN

EMPFOHLENE LEKTÜRE VOR DEM WEITERFAHREN

Vorliegendes Handbuch für spätere Nachschlagzwecke sorgfältig aufbewahren.

Yamaha haftet weder für Schäden, die auf unsachgemäße Benutzung oder Veränderungen des Geräts zurückzuführen sind, noch für den Verlust oder die Zerstörung von Daten.



WARNUNG

Beachten Sie stets die nachfolgend aufgeführten Vorsichtsmaßnahmen, um schwere Verletzungen oder tödliche Unfälle durch elektrischen Schlag, Kurzschluss, Brand oder andere Gefahren zu vermeiden. Folgende Vorsichtsmaßregeln stellen keine vollständige Aufzählung dar.

Brandschutz

- Halten Sie brennende Gegenstände und offene Flammen vom Gerät fern, um einen Brand zu vermeiden.

Hörminderung

- Bevor Sie die Komponenten ein- oder ausschalten, achten Sie darauf, dass die Lautstärkereglern an allen Komponenten auf Minimum eingestellt sind. Nichtbeachtung kann eine Hörminderung, einen elektrischen Schlag oder Geräteschäden zur Folge haben.
- Beim Einschalten Ihres Audiosystems sollten Sie den Leistungsverstärker immer ZULETZT einschalten, um Gehörverlust und Schäden an den Lautsprechern zu vermeiden. Beim Ausschalten sollte der Leistungsverstärker aus demselben Grund ZUERST ausgeschaltet werden.

Kabellose Komponenten

- Verwenden Sie dieses Gerät nicht in der Nähe von medizinischen Geräten oder in medizinischen Einrichtungen. Funkwellen von diesem Gerät können medizinische Geräte stören.
- Personen mit Herzschrittmacher- oder Defibrillator-Implantat müssen mindestens 15 cm von diesem Gerät entfernt bleiben. Funkwellen von diesem Gerät können medizinische Geräte wie Herzschrittmacher- oder Defibrillator-Implantate stören.



VORSICHT

Befolgen Sie stets die unten aufgeführten Grundvorsichtsmaßnahmen, um mögliche Verletzungen der eigenen oder anderer Personen zu vermeiden. Folgende Vorsichtsmaßregeln stellen keine vollständige Aufzählung dar.

Ungewöhnliche Vorkommnisse

- Wenn eines der folgenden Probleme auftritt, schalten Sie sofort den PoE-Injektor oder den PoE-Netzwerk-Switch aus und ziehen Sie das Kabel ab.
 - Das LAN-Kabel ist beschädigt.
 - Das Gerät erzeugt einen ungewöhnlichen Geruch oder Rauch.
 - Ein Gegenstand oder Wasser ist in das Gerät eingedrungen.
 - Beim Einsatz des Geräts fällt der Ton aus.

- Das Gerät weist Risse oder andere sichtbare Schäden auf.

Das Gerät anschließend von qualifiziertem Yamaha Kundendienstpersonal prüfen oder reparieren lassen.

Einsatzort und Verbindungen

- Verwenden Sie zum Verbinden dieses Produkts mit einem PoE-Injektor oder PoE-Netzwerk-Switch ein LAN-Kabel der Spezifikation CAT5e oder höher, das die maximale Versorgungsspannung (57 V) gemäß dem Standard IEEE 802.3at unterstützt. Wird ein Kabel, das dieser Spezifikationen nicht entspricht, oder ein flaches bzw. dünnes Kabel eingesetzt, könnte ein Brand oder eine Störung erfolgen.
- Das LAN-Kabel nicht beschädigen. Andernfalls könnte ein Brand, elektrischer Schlag oder Beschädigung des Geräts erfolgen.
 - Keine schweren Gegenstände auf das Kabel setzen.
 - Das Kabel in keiner Weise umrüsten.
 - Das Kabel nicht anheften.
 - Das Kabel nicht strapazieren.
 - Das Kabel von Hitzequellen fernhalten.
- Stellen Sie das Gerät nicht in eine un stabile Lage oder an einem Ort mit übermäßigen Vibrationen, an dem es versehentlich abstürzen und Verletzungen verursachen könnte.
- Halten Sie dieses Gerät außer Reichweite von Kindern. Dieses Gerät eignet sich nicht für den Einsatz an Orten, wo sich Kinder aufhalten könnten.
- Die Lüftungsöffnungen nicht verdecken. Dieses Gerät ist an der Rückseite und Seite mit Lüftungsöffnungen versehen, die ein übermäßiges Ansteigen der Innentemperatur verhindern. Das Gerät darf deshalb nicht auf die Seite oder auf den Kopf gestellt werden. Eine unzureichende Belüftung kann zu Überhitzung, einer Beschädigung dieses oder anderer Geräte und möglicherweise einem Brand führen.
- Bei der Montage dieses Geräts:
 - Nicht mit einem Tuch bedecken.
 - Nicht auf einen Teppich oder eine Decke abstellen.
 - Die Oberseite muss nach oben weisen; nicht auf den Seiten oder Kopf stellen.
 - Verwenden Sie das Gerät nicht an einer beengten und schlecht belüfteten Stelle. Eine unzureichende Belüftung kann zu Überhitzung, einer Beschädigung dieses oder anderer Geräte und möglicherweise einem Brand führen.
- Wird das Gerät in einem EIA-genormten Rack montiert, lesen Sie sorgfältig den Abschnitt „Empfohlene Lektüre vor dem Einbau des Geräts in ein Rack“ auf Seite 35. Eine unzureichende Belüftung kann zu Überhitzung, einer Beschädigung dieses oder anderer Geräte, einer Störung und möglicherweise einem Brand führen.
- Setzen Sie das Gerät nicht an einem Ort ein, wo es korrosiven Gasen oder salzhaltiger Luft ausgesetzt sein könnte. Dadurch kann es zu Fehlfunktionen kommen.
- Lösen Sie alle Kabelverbindungen, bevor Sie das Gerät versetzen.
- Verlegen Sie keine Kabel in Durchgangsbereichen, wo Personen stolpern könnten. Beim Stolpern über ein Kabel könnte eine Person fallen und sich verletzen oder das Gerät stürzen und beschädigt werden.
- Befestigen Sie das Gerät nicht an einer Decke oder höher als 2 Meter an einer Wand mit dem getrennt erhältlichen Montagezubehör RM-MTL. Das Gerät könnte beim Abstürzen Verletzungen oder Schäden verursachen.
- Wenden Sie sich an qualifiziertes Yamaha Kundendienstpersonal, falls für die Gerätemontage Bauarbeiten erforderlich sind. Eine unsachgemäße Montage kann Unfälle, Verletzungen, Schäden oder Störung des Geräts verursachen.

Nicht öffnen

- Dieses Gerät enthält keine vom Benutzer zu wartenden Teile. Die inneren Bauteile weder zerlegen noch in irgendeiner Weise modifizieren.

Gefahr durch Wasser

- Schützen Sie das Gerät vor Regen, Wasser und Feuchtigkeit, und stellen Sie keine mit Flüssigkeiten befüllten Behälter (wie Vasen, Flaschen oder Gläser) darauf ab, deren Inhalt in die Öffnungen auslaufen könnte.
- Keine Kabelverbindungen mit nassen Händen herstellen oder trennen.

Vorsichtsmaßnahmen während der Benutzung

- Keine Finger oder Hände in die Spalte oder (Lüftungs-)Öffnungen des Geräts stecken.
- Sie sollten sich weder auf das Gerät abstützen noch schwere Gegenstände darauf abstellen.

Notfall-Akku

- Ersetzen Sie den Notfall-Akku nicht selbst. Andernfalls könnte eine Explosion oder Beschädigung des Geräts bzw. der Geräte erfolgen.

ACHTUNG

Umgang und Wartung

- Verbinden Sie dieses Gerät nicht direkt mit einem öffentlichen WLAN oder dem Internet. Verbinden Sie dieses Gerät nur über einen Router mit starkem Kennwortschutz mit dem Internet. Wenden Sie sich an Ihren Routerhersteller, um Informationen zu bewährten Sicherheitsmethoden zu erhalten.
- Setzen Sie dieses Gerät nicht in der Nähe eines Fernsehgeräts, Radios oder anderen elektrischen Geräts ein. Andernfalls könnte das Gerät, Fernsehgerät oder Radio Störungen verursachen.
- Setzen Sie das Gerät weder übermäßigem Staub, Vibrationen noch extremer Kälte oder Hitze aus, um die Möglichkeit auszuschließen, dass sich das Bedienfeld verzieht, Fehlfunktionen im Betrieb auftreten oder innere Bauteile beschädigt werden.
- Das Gerät nicht an Orten mit starken Temperaturänderungen anbringen. Andernfalls kann sich Kondensation auf der Innenseite oder Oberfläche des Geräts bilden und Beschädigung verursachen.
- Wenn es Grund zur Annahme gibt, dass Kondensation aufgetreten sein könnte, lassen Sie das Gerät zum Schutz vor möglichen Schäden mehrere Stunden lang ausgeschaltet, bis die Kondensation vollständig ausgetrocknet ist.
- Stellen Sie keine Gegenstände aus Vinyl, Kunststoff oder Gummi auf diesem Gerät ab; andernfalls könnte das Gehäuse verformt oder verfärbt werden.
- Reinigen Sie das Gerät mit einem trockenen, weichen Tuch. Verwenden Sie keine mit Verdünnern, Lösungsmitteln, Reiniger oder anderen Chemikalien befeuchtete Wischtücher, um Verformung oder Verfärbung zu vermeiden.
- Beim Aufstellen des Geräts auf einer glatten Oberfläche können die im Lieferumfang enthaltenen Gummifüße am Gerät befestigt werden, um ein Verrutschen zu verhindern.

INFORMATION

Über mit dem Gerät gebündelte Funktionen/Daten



- Dies ist ein Gerät der Klasse A. Der Betrieb dieses Geräts in Wohngebieten kann Funkstörungen verursachen.
- Die Lizenzbedingungen für die in diesem Produkt verwendete Open-Source-Software findet sich auf der folgenden Website.
<https://download.yamaha.com/>
- Dieses Gerät setzt Dante Broadway ein.
Weitere Informationen zu den OpenSource-Lizenzen für die jeweilige Software finden sich auf der (englischsprachigen) Website von Audinate:
<https://www.audinate.com/software-licensing>
- XLR-Steckverbinder sind wie folgt belegt (Standard IEC 60268):
Pin 1: Masse, Pin 2: Heiß (+) und Pin 3: Kalt (-).



Bluetooth®-Begriff und -Logo sind eingetragene Warenzeichen von Bluetooth SIG, Inc., und deren Verwendung erfolgt durch Yamaha Corporation unter Lizenz.

Über dieses Handbuch

- Folgende Signalwörter weisen auf wichtige Informationen im Installationshandbuch hin.

 WARNUNG	Dieser Inhalt weist auf „unmittelbares Risiko schwerer Verletzungen oder Todesgefahr“ hin.
 VORSICHT	Der zugehörige Inhalt weist auf „ein Risiko schwerer Verletzungen“ hin.
ACHTUNG	Verweist auf Informationen, die zu beachten sind, um Gerätepannen, -schäden oder -störungen sowie Datenverluste zu verhindern.
WICHTIG	Verweist auf Informationen, die für eine ordnungsgemäße Bedienung und Benutzung des Geräts erforderlich sind.
HINWEIS	Verweist auf Informationen zur Bedienung und Benutzung. Lesen Sie diese nach Bedarf.

- Die Abbildungen in diesem Handbuch dienen lediglich zur Veranschaulichung.
- Die in dieser Anleitung erwähnten Firmen- und Produktnamen sind Warenzeichen bzw. eingetragene Warenzeichen der entsprechenden Firmen.
- Software-Überarbeitungen und -Aktualisierungen ohne Vorankündigungen möglich.
- Der Inhalt dieser Bedienungsanleitung gilt für die neuesten Technischen Daten zum Zeitpunkt der Veröffentlichung. Das aktuelle Handbuch kann von der Yamaha Website heruntergeladen werden.

Über die Entsorgung

- Dieses Gerät enthält recycelbare Komponenten. Wenden Sie sich für die Entsorgung dieses Geräts bitte an die zuständigen örtlichen Behörden.

Verbraucherinformation zur Sammlung und Entsorgung alter Elektrogeräte



Befindet sich dieses Symbol auf den Produkten, der Verpackung und/oder beiliegenden Unterlagen, so sollten benutzte elektrische Geräte nicht mit dem normalen Haushaltsabfall entsorgt werden.

In Übereinstimmung mit Ihren nationalen Bestimmungen bringen Sie alte Geräte bitte zur fachgerechten Entsorgung, Wiederaufbereitung und Wiederverwendung zu den entsprechenden Sammelstellen.

Durch die fachgerechte Entsorgung der Elektrogeräte helfen Sie, wertvolle Ressourcen zu schützen, und verhindern mögliche negative Auswirkungen auf die menschliche Gesundheit und die Umwelt, die andernfalls durch unsachgerechte Müllentsorgung auftreten könnten.

Für weitere Informationen zum Sammeln und Wiederaufbereiten alter Elektrogeräte kontaktieren Sie bitte Ihre örtliche Stadt- oder Gemeindeverwaltung, Ihren Abfallentsorgungsdienst oder die Verkaufsstelle der Artikel.

Information für geschäftliche Anwender in der Europäischen Union:

Wenn Sie Elektrogeräte ausrangieren möchten, kontaktieren Sie bitte Ihren Händler oder Zulieferer für weitere Informationen.

Entsorgungsinformation für Länder außerhalb der Europäischen Union:

Dieses Symbol gilt nur innerhalb der Europäischen Union. Wenn Sie solche Artikel ausrangieren möchten, kontaktieren Sie bitte Ihre örtlichen Behörden oder Ihren Händler und fragen Sie nach der sachgerechten Entsorgungsmethode.

Vielen Dank für den Erwerb des Signalprozessors RM-CR. Bei diesem Gerät handelt es sich um einen Signalprozessor, der hochwertiges und ansprechendes Audio für Telekonferenzen in mittelgroßen betrieblichen Versammlungsräumen erzeugt. Bitte lesen Sie dieses Handbuch vor der Benutzung des Geräts. Bewahren Sie das Handbuch nach der Lektüre für spätere Nachschlagzwecke an einem sicheren Platz auf.

Lieferumfang

- (Vorliegendes) Installationshandbuch
- Zugangsabdeckung (mit Schraube)
- USB-Kabel (Typ AB, 5 m, für Sprachkommunikation)
- USB-Kabel (Typ A-Micro B, 1 m, zum Einrichten)
- GummifüÙe (4 Stk.)

Getrennt erhältliches Zubehör

- **Montagezubehör RM-MRK**

Dies ist für die Montage des Geräts in einem 19-Zoll-Rack erforderlich.

Einzelheiten zur Montage des RM-MRK finden sich unter „EINBAU IN EIN RACK“ (Seite 35).

- **Montagezubehör RM-MTL**

Dies ist für die Montage des Geräts an der Unterseite eines Tisches erforderlich.

Einzelheiten zur Montage des RM-MTL finden sich unter „ANBAU AN EINEM TISCH“ (Seite 37).

Handbuchinhalt

Zusätzlich zu vorliegendem Installationshandbuch sind folgende Dokumente für dieses Gerät verfügbar:

- **RM-CR Referenzhandbuch**

Hier werden die Verbindungen zwischen diesem und externen Geräten sowie die Einstellungen über die Web-Benutzeroberfläche erläutert.

Zugehörige Dokumente können von der folgenden Website heruntergeladen werden:

<https://download.yamaha.com/>

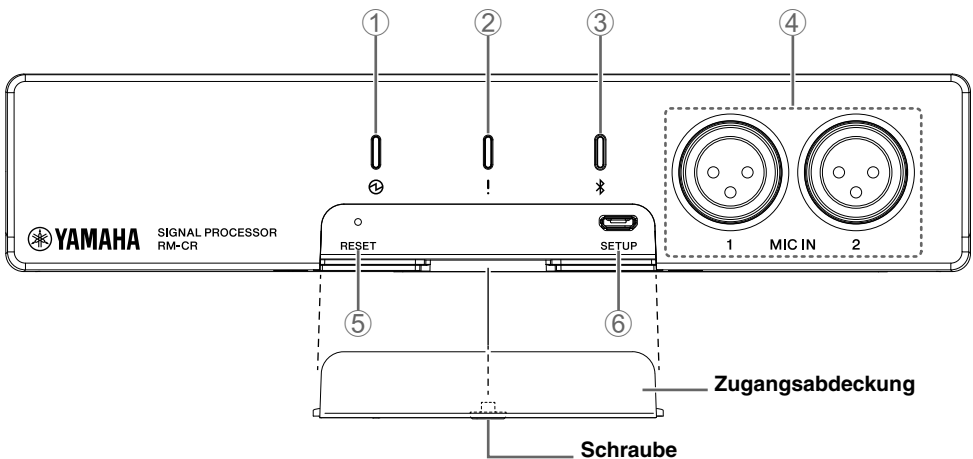
BEDIENELEMENTE UND ANSCHLUSSBUCHSEN

Frontblende

Folgende Erläuterung bezieht sich auf einer Abbildung des Geräts im Auslieferungszustand.

Befestigen Sie nach Beendigung der Einstellungen die zugehörige Zugangsabdeckung mit deren Schraube, um den Zugriff auf den Rückstellknopf [RESET] und die Einrichtungsbuchse [SETUP] zu verhindern.

Einzelheiten zu den einzelnen Anzeigen finden sich im „RM-CR Referenzhandbuch“.



① Betriebsanzeige

Diese Anzeige informiert über den Betriebsversorgungszustand. Sie leuchtet, wenn die Buchse [Dante/PoE] auf der Rückseite ordnungsgemäß mit Spannung versorgt wird.

② Statusanzeige !

Diese Anzeige informiert über den Betriebszustand des Geräts.

③ Bluetooth-Taste/Anzeige

Zum Pairen mit einem Smartphone drücken.

Durch die Verbindung mit einem Smartphone können Sie Audio mit einem entfernten Standort austauschen.

④ **Mikrofonbuchsen [MIC IN] 1/2**

(Symmetrische) XLR-Buchsen zum Anschließen dynamischer Mikrofone. Keine Kondensatormikrofone hier anschließen.

⑤ **Rückstellknopf [RESET]**

Benutzen Sie zum Drücken dieses Knopfes einen feinspitzigen Gegenstand wie einen Auswurfstift.

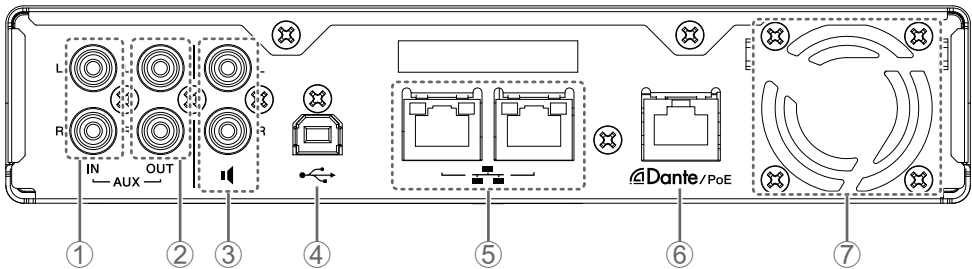
Gedrückt halten	Statusanzeige	Rückstellung
4 bis unter 8 Sekunden	Blinkt zweimal pro Sekunde	Netzwerkeinstellungen
8 bis unter 12 Sekunden	Blinkt dreimal pro Sekunde	Sämtliche Einstellungen (mit anschließendem automatischen Neustart)

Wird diese Taste weniger als 4 Sekunden oder mindestens 12 Sekunden lang gedrückt gehalten, erfolgt keinerlei Rückstellung.

⑥ **Einrichtungsbuchse [SETUP]**

Diese Buchse dient zur Verbindung mit einem Computer, sodass Einstellungen über einen Webbrowser vorgenommen werden können. Verwenden Sie für diese Verbindung das zugehörige USB-Kabel (Typ A-Micro B). Einzelheiten zu den Einstellungen finden sich im „RM-CR Referenzhandbuch“.

Rückseite



① Eingangsbuchsen [AUX IN] L/R

Diese (unsymmetrischen) Cinch-Buchsen sind dem Audioeingang gewidmet. Verwenden Sie diese Buchsen, wenn das Audio vom entfernten Standort analog ist.

② Ausgangsbuchsen [AUX OUT] L/R

Diese (unsymmetrischen) Cinch-Buchsen sind dem Audioausgang gewidmet. Verwenden Sie diese Buchsen, wenn das Audio zum entfernten Standort analog ist.

③ Lautsprecherbuchsen

Diese (unsymmetrischen) Cinch-Buchsen sind dem Audioausgang gewidmet. Verwenden Sie diese Buchsen, wenn der am entfernten Standort verwendete Aktivlautsprecher oder Leistungsverstärker Dante nicht unterstützt.

④ USB-Buchse

Verwenden Sie diese Buchse, wenn der Audioaustausch mit dem entfernten Standort über eine Verbindung mit einem Computer stattfindet. Verwenden Sie für diese Verbindung das zugehörige USB-Kabel (Typ A-B).

⑤ Netzwerkbuchsen

An diesen RJ-45-Buchsen können Sie LAN-Kabel (CAT5e oder höher) für die Fernverwaltung und -einstellung über das Unternehmensnetzwerk usw. anschließen. DHCP ist standardmäßig vorgegeben. Wenn Sie eine bestimmte IP-Adresse verwenden möchten, geben Sie die IP-Adresse über die Web-Benutzeroberfläche an, bevor Sie eine Verbindung zum Unternehmensnetzwerk herstellen. Einzelheiten zu den Einstellungen finden sich im „RM-CR Referenzhandbuch“.

Sie können auch eine Verbindung zu einem öffentlichen Netzwerk herstellen, um über das SIP-Protokoll Audio mit einem entfernten Standort auszutauschen.

Achtung: Die maximal zulässige Kabellänge beträgt 100 m.

: Zur Vermeidung von elektromagnetischen Störungen STP (abgeschirmte Twisted-Pair)-Kabel verwenden.

⑥ Buchse [Dante/PoE]

An dieser RJ-45-Buchse können Sie ein LAN-Kabel (CAT5e oder höher) über einen IEEE802.3at-kompatiblen PoE-Injektor oder PoE-Netzwerk-Switch mit einem Dante-Gerät wie RM-CG verbinden.

Achtung: Schließen Sie hier kein anderes als ein Dante-fähiges oder Gigabit-Ethernet-fähiges Gerät (einschließlich Computer) an.

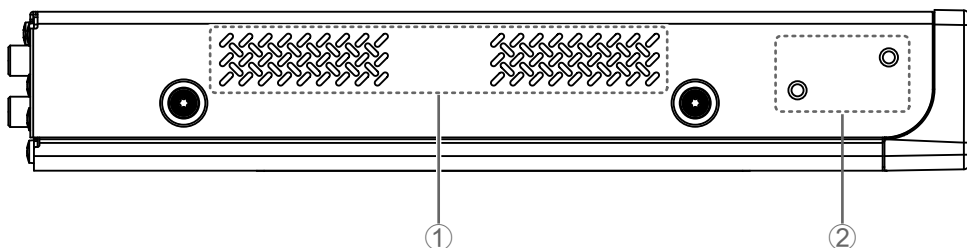
- : Die maximal zulässige Kabellänge beträgt 100 m.
- : Zur Vermeidung von elektromagnetischen Störungen ein STP (abgeschirmtes Twisted-Pair)-Kabel verwenden.

⑦ Entlüftungsöffnung

Dieses Gerät ist mit einem Lüfter ausgestattet. Da aus dieser Entlüftungsöffnung heiße Luft ausgestoßen wird, darf sie nicht durch Hindernisse verdeckt werden.

Seitenwand

Folgende Erläuterung bezieht sich auf einer linken Seitenansicht des Geräts.



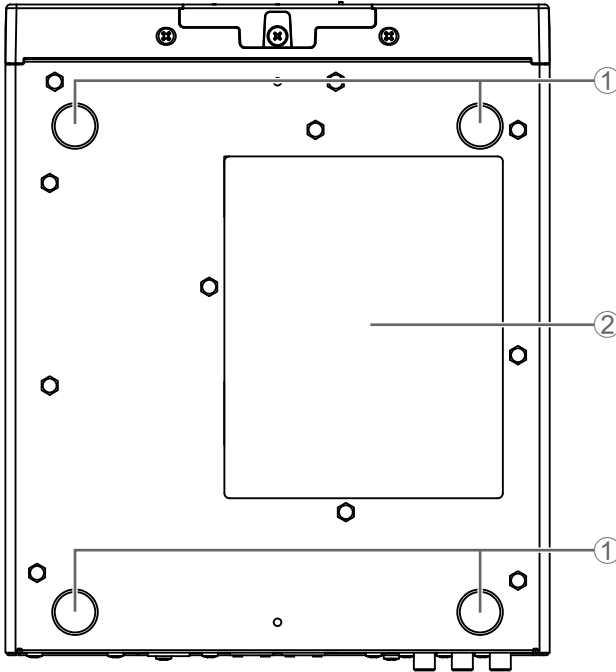
① Belüftungsöffnung

Da durch diese Belüftungsöffnung Kühlluft aufgenommen wird, darf sie nicht durch Hindernisse verdeckt werden. Diese Lüftungsöffnung sollte regelmäßig gereinigt werden. Die Ansammlung von Staub an dieser Lüftungsöffnung kann ein Ansteigen der Temperatur im Gerät und Betriebsstörungen des Geräts verursachen.

② Bohrungen für Montagezubehör

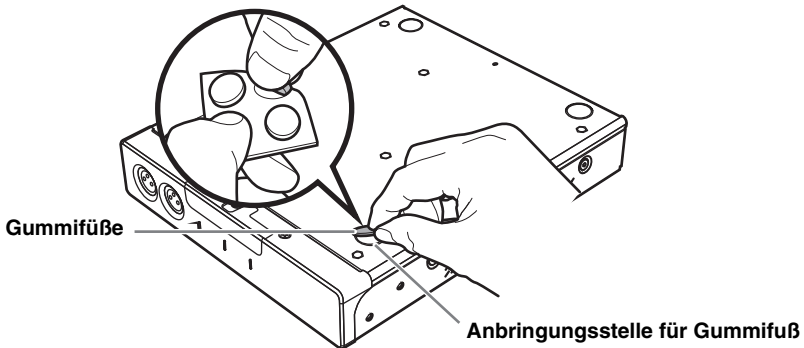
Verwenden Sie diese zum Anbringen des Montagezubehörs RM-MRK oder RM-MTL. Einzelheiten zur Montage des RM-MRK finden sich unter „EINBAU IN EIN RACK“ (Seite 35).

Einzelheiten zur Montage des RM-MTL finden sich unter „ANBAU AN EINEM TISCH“ (Seite 37).



① Anbringungsstellen für GummifüÙe

An diesen Stellen werden die zugehörigen GummifüÙe angebracht. Befestigen Sie die zugehörigen GummifüÙe wie abgebildet.



② Typschild

Hier werden Modellname, Seriennummer und MAC-Adresse des Geräts aufgeführt.

EINBAU IN EIN RACK

Verwenden Sie für den Einbau des Geräts das gesondert erhältliche Montagezubehör RM-MRK.

Empfohlene Lektüre vor dem Einbau des Geräts in ein Rack

Der garantierte Betriebstemperaturbereich dieses Geräts beträgt 0 bis 40 °C. Beim Einbau in einem Rack zusammen mit anderen Geräten kann die Hitze dieser Geräte einen Anstieg der Temperatur im Rack verursachen und die Leistung dieses Geräts beeinträchtigen. Bauen Sie das Gerät gemäß folgenden Anforderungen im Rack ein, um einen Abstieg der Temperatur im Gerät zu verhindern.

- Wird dieses Gerät zusammen mit Geräten eingebaut, die zur Erzeugung von Wärme neigen, wie z.B. Endstufen, wahren Sie einen Zwischenraum von mindestens 1U zu diesen Geräten. Sorgen Sie außerdem für ausreichende Belüftung, indem Sie diesen Bereich mit einer Lüftungsblende versehen oder offen lassen.
- Lassen Sie die Rückseite des Racks offen und sorgen Sie für einen Abstand von mindestens 10 cm zwischen Rack und Wand oder Decke, um eine ausreichende Luftzirkulation zu gewährleisten. Falls die Rückseite des Racks nicht geöffnet werden kann, bauen Sie eine handelsübliche Fremdbelüftung wie einen Lüfter ein. Wird ein Lüfter eingebaut, sorgt ein Schließen der Rückwand möglicherweise für eine besser Wärmeableitung. Einzelheiten hierzu finden sich in der Bedienungsanleitung des Racks oder des Lüfters.

Vorsicht: Bevor das Rack verstellt wird, sollte dieses Gerät ausgebaut werden.



Wird das Rack bei eingebautem Gerät verstellt, können Vibrationen usw. das Montagezubehör verformen oder beschädigen und möglicherweise Verletzungen verursachen. Das Gerät könnte ebenfalls Betriebsstörungen erleiden.

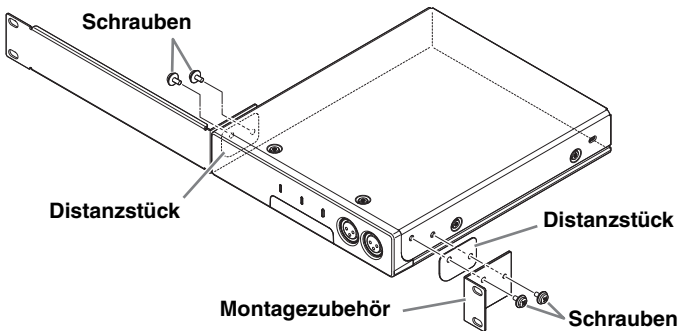
[Montage]

In folgendem Beispiel ist die lange Metallbefestigung an der linken Seite angebracht, wenn von vorne betrachtet. Dasselbe Verfahren gilt ebenfalls beim Anbringen der lange Metallbefestigung an der gegenüberliegenden Seite.

Achtung: Wurden die zugehörigen GummifüÙe bereits am Gerät angebracht, entfernen Sie diese.

1. Fügen Sie beim Anbringen der Metallbefestigungen das zugehörige Distanzstück zwischen diesem Gerät und der Metallbefestigung ein.

Befestigen Sie eine Metallbefestigung je Geräteseite mit den im Lieferumfang des Montagezubehörs enthaltenen Schrauben (4 Stk.).

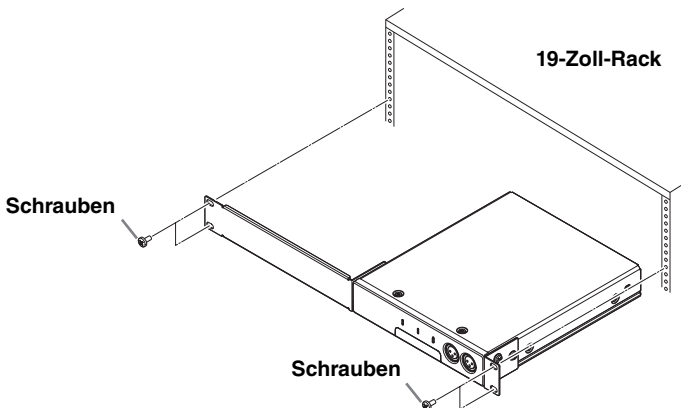


Warnung: Verwenden Sie ausschließlich die im Lieferumfang des Montagezubehörs enthaltenen Schrauben.

Das Gerät könnte beim Abstürzen Verletzungen oder Schäden verursachen. Dies kann auch zu Stromschlag oder Störung führen.

2. Montieren Sie die Metallbefestigungen am 19-Zoll-Rack.

Montieren Sie die Metallbefestigungen mit den vier Rack-Schrauben am 19-Zoll-Rack. Ziehen Sie die Schrauben so fest an, dass sie sich nicht lösen.



ANBAU AN EINEM TISCH

Verwenden Sie für den Anbau des Geräts das gesondert erhältliche Montagezubehör RM-MTL.

Besorgen Sie vier Schrauben mit einem Durchmesser von ca. 5 mm (ähnlich M5), die sich für das Material und die Dicke des Tisches eignen.

Führen Sie die 4 Montageschritte aus.



Warnung: Befestigen Sie dieses Gerät ausschließlich an der Unterseite eines Tisches.

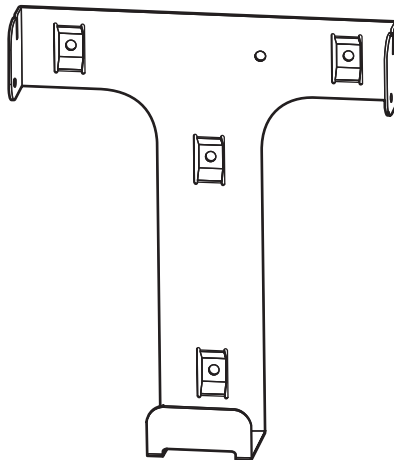
Das Gerät könnte beim Abstürzen Verletzungen oder Schäden verursachen.

Vorsicht: Die Montage muss durch einen Fachmann erfolgen. Beachten Sie Folgendes bei der Montage:



- Achten Sie darauf, dass die Befestigungselemente und der Montageort dem Gewicht des Geräts standhalten.
- Vermeiden Sie Orte, die anhaltenden Vibrationen ausgesetzt sind.
- Verwenden Sie das empfohlene Montagezubehör.
- Führen Sie regelmäßige Wartungsprüfungen aus.

1. Montieren Sie die Metallbefestigung mit vier handelsüblichen Schrauben eines Durchmessers von ca. 5 mm an der Unterseite des Tisches.



In der obigen Abbildung ist das Oberteil nach vorne gerichtet.

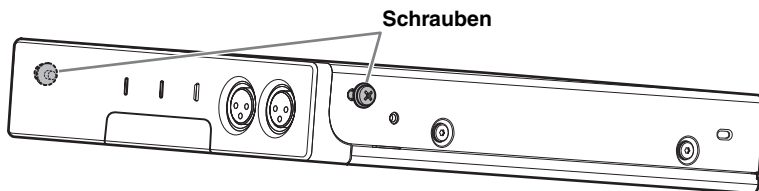


Warnung: Verwenden Sie Schrauben, die sich für das Material des Tisches eignen.

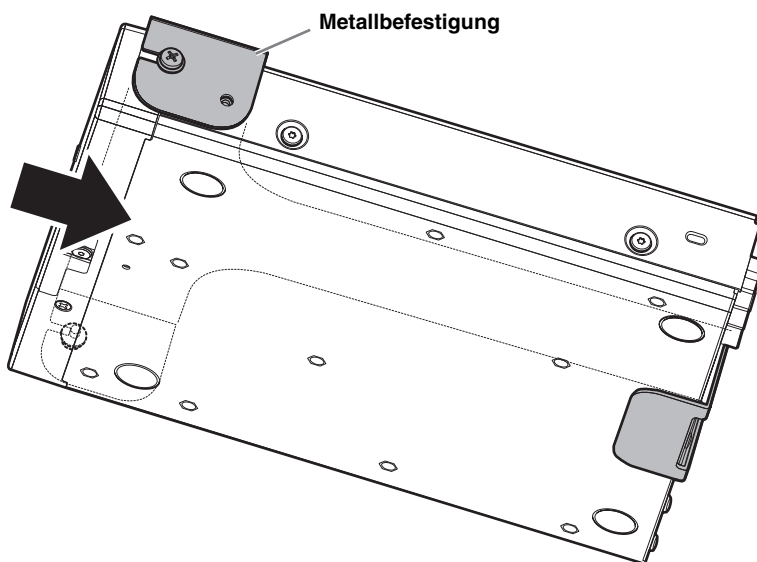
Das Gerät könnte beim Abstürzen Verletzungen oder Schäden verursachen.

2. Bringen Sie die beiden zugehörigen Schrauben provisorisch in den vorderen Montagebohrungen dieses Geräts für das Montagezubehör.

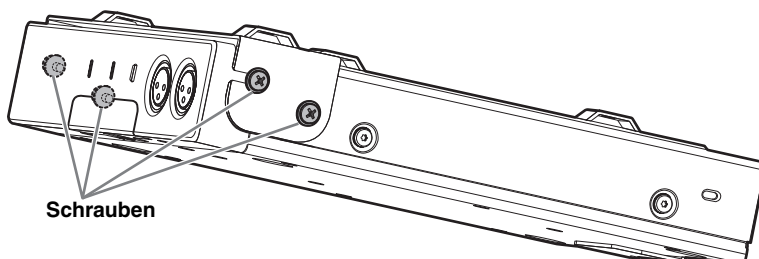
Wahren Sie dabei einen Abstand von ca. 2 mm zwischen der Gerätseite und dem Schraubenkopf, damit die Metallbefestigung in die Schrauben eingreifen kann.



3. Schieben Sie das Gerät so, dass die in Schritt 2 provisorisch angebrachten Schrauben in die Nuten der Metallbefestigung an der Tischunterseite greifen.



4. Ziehen Sie die vier Schrauben in den Montagebohrungen des Montagezubehörs an.



TECHNISCHE DATEN

Technische Daten – Allgemein

Abmessungen	B 215 mm × T 264 mm × H 44 mm	
Gewicht	1,6 kg	
Stromversorgung	PoE+ (IEEE802.3at, LLDP), 48 VDC	
Maximale Leistungsaufnahme	15,0 W	
Temperatur	Betrieb	0 °C – 40 °C
	Lagerung	–20 °C – 60 °C
Luftfeuchtigkeit	Betrieb	30% – 90% (nichtkondensierend)
	Lagerung	20% – 90% (nichtkondensierend)
Anzeigen	<ul style="list-style-type: none">• Betrieb• Status• Bluetooth• Netzwerkanzeige (× 3)	
Lieferumfang	(Vorliegendes) Installationshandbuch, Zugangsabdeckung (mit Schraube), USB-Kabel (Typ A-B), USB-Kabel (Typ A-Micro B), Gummifüße (4 Stk.)	
Getrennt erhältliches Zubehör	Montagezubehör: RM-MTL Montagezubehör: RM-MRK	

Technische Daten – Audio

Frequenzgang		20 Hz – 20 kHz	
Sampling-Rate		48 kHz	
Bittiefe		24 Bits	
Latenz		8 [ms] (Dante In zu USB Out, einschl. Signalverarbeitung)	
Audioschnittstelle	Dante	16 In × 16 Out	
	USB	USB 2.0 Typ B, Audioklasse 1.0 Eingang: 2-Kanal-Ausgang: 2 Kanäle an 48 kHz	
	Mikrofoneingang	XLR, symmetrisch, 2-Kanal-Eingang	
	AUX	RCA, unsymmetrisch (Line-Pegel), Eingang: 2-Kanal-Ausgang: 2ch	
	Lautsprecherausgang	RCA, unsymmetrisch (Line-Pegel), Ausgang: 2ch	
	Bluetooth	Version 4.2 Unterstützte Protokolle: HFP (1.6), A2DP, AVRCP (1.6) Unterstützte Codecs: CVSD, SBC, mSBC Drahtlosausgang: Klasse 2 Maximale Reichweite: 10 m (ohne Hindernisse) Empfangsfrequenz (Arbeitsfrequenz): 2.402 – 2.480 MHz Maximale Ausgangsleistung (EIRP): 4,0 dBm (2,5 mW)	
	SIP	Anrufbearbeitung	Wählen, Beantworten, Halten, Fortsetzen, Vermitteln, Nicht stören, Anruf-ID, Voicemail-Benachrichtigungen (Switch konfiguriert)
		Anruf-Bridging	Unterstützt die Überbrückung von SIP-, USB-, BT- und AUX-Anrufen. Verbinden, Aufteilen, Halten, Fortsetzen, 5+1 Leitungen: Max. 2 SIP-Anrufe, 1 USB-, 1 Bluetooth-, 1 AUX-Anruf sowie der Benutzer
		Codecs	G.711, G.722HD, G.729ab, G.726
		DTMF-Unterstützung	RTP-Ereignis, SIP-In-Band, SIP-Infopaket
Sicherheit		SRTP-Unterstützung (RFC 1889), IETF-SIP-Unterstützung (RFC 3261 und begleitende RFCs)	

Technische Daten – Netzwerk

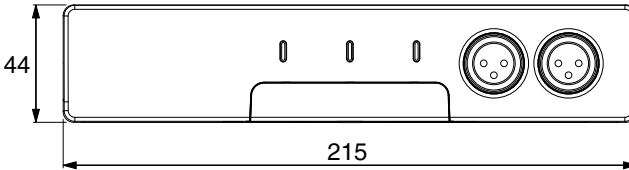
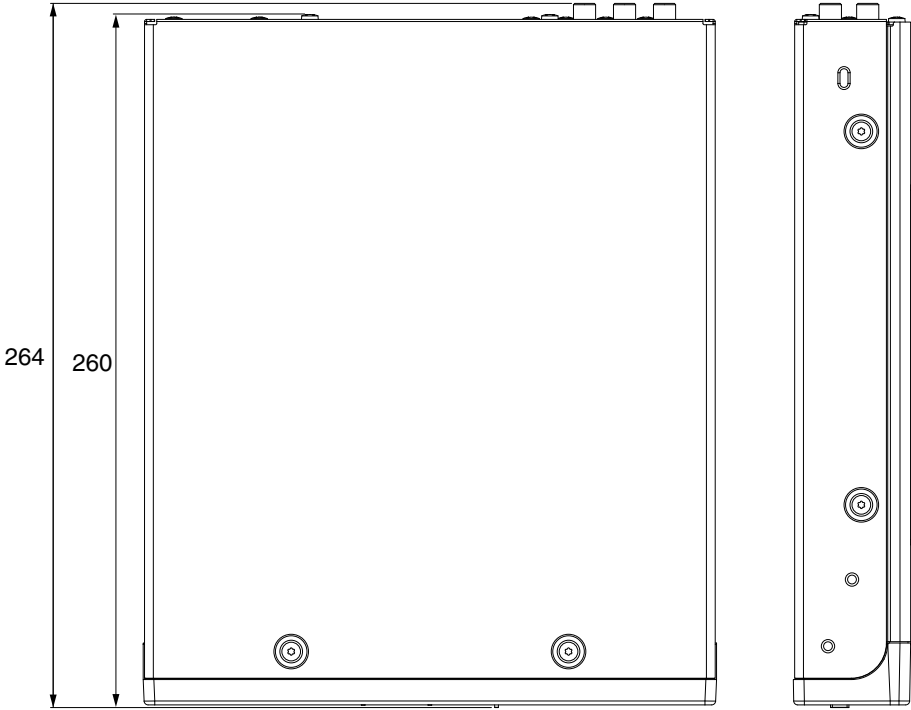
Buchse [Dante/PoE]	Dante Audio/Dante Control, Fernbedienung, WebUI, PoE+ unterstützt Kabelanforderungen: CAT5e oder höher, STP
Netzwerkbuchsen	Unternehmensnetzwerk, Fernbedienung, SIP, WebUI Kabelanforderungen: CAT5e oder höher, STP
Einrichtungsbuchse [SETUP]	USB 2.0 Micro, Netzwerkkategorie, WebUI, feste IP Kabelanforderungen: USB-Kabel (Typ A-Micro B)

Eingangs-/Ausgangscharakteristik

Eingangsbuchse	Tatsächliche Lastimpedanz	Einsatz mit Nennwert	Eingangspegel		Buchsentyp
			Nennwert	Max. vor Übersteuerung	
MIC IN 1, 2	2,2 kΩ	50 – 600 Ω	-46 dBu	-26 dBu	XLR-3-31 (symmetrisch)
AUX IN L, R	20 kΩ	1 kΩ	-14 dBV	+6 dBV	RCA PIN

Ausgangsbuchse	Tatsächliche Quellenimpedanz	Einsatz mit Nennwert	Ausgangspegel		Buchsentyp
			Nennwert	Max. vor Übersteuerung	
AUX OUT L, R	1 kΩ	10 kΩ	-14 dBV	+6 dBV	RCA PIN
SP OUT L, R	1 kΩ	10 kΩ	-14 dBV	+6 dBV	RCA PIN

Maßbild



Einheit: mm

TABLE DES MATIÈRES

PRÉCAUTIONS D'USAGE	44
AVIS	46
INFORMATIONS	47
INTRODUCTION	49
Éléments inclus dans l'emballage.....	49
Accessoires disponibles en option.....	49
Documentation disponible.....	49
COMMANDES ET CONNECTEURS	50
Panneau avant	50
Panneau arrière	52
Panneau latéral.....	53
Panneau inférieur.....	54
MONTAGE DANS UN RACK	55
MONTAGE SUR UN BUREAU	57
SPÉCIFICATIONS PRINCIPALES	59
Schéma dimensionnel.....	62

Le numéro de modèle, le numéro de série, l'alimentation requise, etc., se trouvent sur ou près de la plaque signalétique du produit, située dans la partie inférieure de l'unité. Notez le numéro de série dans l'espace fourni ci-dessous et conservez ce manuel en tant que preuve permanente de votre achat afin de faciliter l'identification du produit en cas de vol.

N° de modèle

N° de série

(bottom_fr_01)

PRÉCAUTIONS D'USAGE

LISEZ ATTENTIVEMENT CES INFORMATIONS AVANT L'INSTALLATION

Conservez ce manuel en lieu sûr pour toute référence ultérieure.

Yamaha ne peut être tenu responsable des dommages matériels causés par une mauvaise manipulation ou des modifications du produit, ou de la perte ou destruction de données.



AVERTISSEMENT

Respectez toujours les précautions élémentaires énumérées ci-dessous afin d'éviter les risques de blessures graves ou même mortelles causées par une électrocution, un court-circuit, des dommages, un incendie ou d'autres risques. Ces précautions incluent mais sans s'y limiter les risques suivants:

Prévention contre les incendies

- Ne placez pas d'objets brûlants ou de flammes nues à proximité du produit, au risque de provoquer un incendie.

Perte de capacités auditives

- Avant de mettre tous les appareils sous/hors tension, vérifiez que tous les niveaux de volume sont réglés sur la position minimale. Le non-respect de ces mesures peut provoquer une perte d'acuité auditive, entraîner un risque d'électrocution ou endommager l'appareil.
- Lorsque vous mettez le système audio sous tension, allumez toujours l'amplificateur de puissance en DERNIER pour éviter d'endommager votre ouïe et les haut-parleurs. Lors de la mise hors tension, vous devez éteindre l'amplificateur de puissance en PREMIER pour la même raison.

Appareil sans fil

- N'utilisez pas ce produit à proximité d'appareils médicaux ou au sein d'installations médicales. Les ondes radio transmises par ce produit peuvent affecter les appareils électro-médicaux.
- N'utilisez pas ce produit à moins de 15 cm des personnes disposant d'un stimulateur cardiaque ou d'un défibrillateur. Les ondes radio émanant de ce produit peuvent affecter le fonctionnement des équipements électro-médicaux tels que les stimulateurs cardiaques ou les défibrillateurs cardiaques.



ATTENTION

Respectez toujours les précautions élémentaires énumérées ci-dessous afin d'éviter les risques de blessures corporelles pour l'utilisateur ou d'autres personnes. Ces précautions incluent mais sans s'y limiter les risques suivants:

En cas d'anomalie

- Si un des problèmes suivants survient, mettez immédiatement l'injecteur PoE ou le commutateur de réseau PoE hors tension et débranchez le câble.
 - Le câble réseau est endommagé.
 - Le produit émet une odeur bizarre ou de la fumée.
 - Un objet ou de l'eau a pénétré à l'intérieur du produit.

- Une brusque perte de son est survenue durant l'utilisation du produit.
 - Des fissures ou d'autres dommages sont visibles sur le produit.
- Faites immédiatement inspecter ou réparer le produit par un technicien Yamaha qualifié.

Emplacement et connexions

- Pour relier ce produit à un injecteur PoE ou à un commutateur de réseau PoE, utilisez un câble réseau CAT5e ou supérieur compatible avec la tension d'alimentation maximum (57 V) conformément à la norme IEEE 802.3at. La connexion d'un câble non conforme à ces spécifications ou d'un câble de type plat pourrait causer un dysfonctionnement ou un incendie.
- N'endommagez pas le câble réseau. Le non-respect de cette consigne peut causer un incendie, une électrocution ou un endommagement du produit.
 - Ne posez pas d'objets lourds sur le câble.
 - Ne modifiez pas le câble de quelque manière que ce soit.
 - Ne fixez pas le câble à l'aide d'agrafes.
 - N'exercez pas une force excessive sur le câble.
 - Veillez à garder le câble à l'écart de toute source de chaleur.
- Ne posez pas le produit sur une surface instable ou soumise à de fortes vibrations, car il risquerait de tomber et de causer des blessures.
- Conservez ce produit hors de portée des enfants. N'utilisez pas ce produit dans des endroits où il serait à la portée des enfants.
- Ne bloquez pas les orifices de ventilation du produit. Ce produit possède des orifices d'aération sur sa face arrière et sur ses côtés le protégeant contre l'élévation excessive de sa température interne. Veillez tout particulièrement à ne jamais poser le produit sur son flanc ni à l'envers. Une aération insuffisante peut causer une surchauffe et d'éventuels endommagements du produit ou d'autres appareils, voire un incendie.
- Quand vous installez le produit:
 - Évitez de couvrir le produit avec un tissu.
 - N'installez pas le produit sur une moquette ou un tapis.
 - Assurez-vous de disposer le produit en orientant sa face supérieure vers le haut ; ne le posez pas sur son flanc ni à l'envers.
 - N'utilisez pas le produit dans un lieu clos et mal aéré.

Une aération insuffisante peut causer une surchauffe et d'éventuels endommagements du produit ou d'autres appareils, voire un incendie.
- Si le produit est installé dans un rack conforme à la norme EIA, lisez attentivement la section « Lisez attentivement ces informations avant de monter l'appareil dans un rack. » à la page 55. Une aération insuffisante peut causer une surchauffe et d'éventuels endommagements du produit ou d'autres appareils, des dysfonctionnements, voire un incendie.
- Ne placez pas le produit dans un endroit où il pourrait entrer en contact avec des gaz corrosifs ou de l'air à haute teneur en sel. Cela pourrait provoquer des dysfonctionnements.
- Avant de déplacer le produit, débranchez tous les câbles connectés.
- N'acheminez pas les câbles dans des endroits où quelqu'un risquerait de trébucher dessus. Si une personne se prend le pied dans un câble, elle risquerait de tomber et/ou de faire tomber le produit, causant d'éventuelles blessures corporelles ou un endommagement du produit.
- N'installez pas le produit sur un plafond ou un mur à plus de 2 mètres de hauteur à l'aide d'accessoires de montage RM-MTL disponibles en option. Une chute du produit pourrait causer des blessures ou des dommages.
- Si le montage du produit requiert des travaux, demandez toujours conseil au préalable à un technicien Yamaha qualifié. Une installation incorrecte pourrait causer des accidents, des blessures ainsi qu'un endommagement ou dysfonctionnement du produit.

N'ouvrez pas le boîtier du produit.

- Ce produit ne contient aucun composant réparable par l'utilisateur. N'essayez jamais de démonter ni de modifier de quelque manière les composants internes.

Avertissement relatif à la présence d'eau

- N'exposez pas le produit à la pluie, ne l'utilisez pas près d'une source d'eau ou dans un milieu humide et ne déposez pas dessus des récipients (tels que des vases, des bouteilles ou des verres) contenant des liquides qui risqueraient de s'infiltrer par les ouvertures.
- Ne branchez et débranchez jamais un câble électrique avec les mains mouillées.

Précautions d'utilisation

- N'insérez pas les doigts ni les mains dans les ouvertures (de ventilation, etc.) du produit.
- Ne posez pas d'objets lourds et ne reposez jamais le poids de votre corps sur le produit.

Batterie de sauvegarde

- Ne tentez pas de remplacer vous-même la batterie de sauvegarde. Cela pourrait causer une explosion et/ou endommager le produit ou d'autres appareil.

AVIS

Manipulation et entretien

- Ne connectez pas ce produit directement à un réseau WiFi public ni à l'internet. Connectez uniquement ce produit à l'internet via un routeur doté d'une protection via un mot de passe fort. Consultez le fabricant de votre routeur pour des informations sur la méthode offrant une sécurité optimale.
- N'utilisez pas le produit à proximité d'un téléviseur, d'une radio ou d'autres appareils électriques. La proximité du téléviseur, de la radio ou d'autres appareils risquerait de générer du bruit.
- N'exposez pas le produit à une poussière ou des vibrations excessives, ni à des températures très élevées ou très basses pour éviter un endommagement de la finition du boîtier, un fonctionnement instable ou un endommagement des composants internes.
- N'utilisez pas le produit dans des endroits soumis à des changements extrêmes de température. Sinon, la formation de condensation à l'intérieur ou à la surface extérieure du produit pourrait l'endommager.
- Si vous suspectez la présence de condensation, laissez le produit hors tension pendant plusieurs heures jusqu'à ce que la condensation ait complètement disparu, afin d'éviter les risques de dommages.
- Ne posez pas d'objets en vinyle, plastique ou caoutchouc sur le produit, car cela pourrait altérer ou décolorer la finition de son boîtier.
- Utilisez un chiffon doux et sec pour le nettoyage du produit. N'utilisez jamais de diluant à peinture, de solvant, de liquide de nettoyage ni de chiffon de lavage chimique, car cela pourrait altérer ou décolorer la finition du boîtier.
- Fixez les pieds en caoutchouc fournis sur le produit pour éviter qu'il ne glisse durant son utilisation sur une surface glissante.

INFORMATIONS

À propos des fonctions/données fournies avec le produit



- Ce produit est un appareil de classe A. Le fonctionnement de ce produit dans une zone résidentielle pourrait causer des interférences radio.
- Consultez le site Internet suivant pour des informations sur les conditions de licence du logiciel libre utilisé avec ce produit.
États-Unis et Canada
<https://uc.yamaha.com/support/>
Autres pays
<https://download.yamaha.com/>
- Ce produit exploite le logiciel Dante Broadway.
Pour des détails sur les licences Open Source de ce logiciel, consultez le site Internet d'Audinate (en anglais).
<https://www.audinate.com/software-licensing>
- Les broches des connecteurs XLR sont reliées comme suit (norme IEC60268):
broche 1: masse, broche 2: point chaud (+), broche 3: point froid (-).



La marque et les logos Bluetooth® sont des marques déposées de Bluetooth SIG, Inc. et toute utilisation de ces marques par la Yamaha Corporation est soumise à une licence.

À propos de ce manuel

- Dans ce Manuel d'installation, les informations importantes sont repérées par les intitulés suivants:

 AVERTISSEMENT	Ce contenu indique « un risque de blessures graves ou de mort ».
 ATTENTION	Ce contenu indique « un risque de blessures ».
AVIS	Indique des consignes que vous devez respecter afin d'éviter toute défaillance, dommage ou dysfonctionnement du produit et toute perte de données.
IMPORTANT	Indique des informations cruciales pour une utilisation et un fonctionnement corrects du produit.
NOTE	Indique des informations complémentaires liées à l'utilisation et au fonctionnement du produit. Ces informations sont fournies pour votre référence.

- Les illustrations figurant dans ce manuel servent uniquement à expliciter les instructions.
- Les noms de société et les noms de produit mentionnés dans ce manuel sont des marques commerciales ou des marques déposées de leurs sociétés respectives.
- Le logiciel peut être révisé et mis à jour sans préavis.

- Le contenu de ce manuel s'applique aux dernières spécifications en date au moment de la publication. Pour vous procurer la version la plus récente de ce manuel, surfez sur le site Internet de Yamaha et téléchargez le manuel électronique.

À propos de la mise au rebut

- Ce produit contient des composants recyclables. Au moment de la mise au rebut de ce produit, veuillez contacter les autorités compétentes de votre région.

Informations concernant la collecte et le traitement des déchets d'équipements électriques et électroniques



Le symbole sur les produits, l'emballage et/ou les documents joints signifie que les produits électriques ou électroniques usagés ne doivent pas être mélangés avec les déchets domestiques habituels.

Pour un traitement, une récupération et un recyclage appropriés des déchets d'équipements électriques et électroniques, veuillez les déposer aux points de collecte prévus à cet effet, conformément à la réglementation nationale.

En vous débarrassant correctement des déchets d'équipements électriques et électroniques, vous contribuerez à la sauvegarde de précieuses ressources et à la prévention de potentiels effets négatifs sur la santé humaine qui pourraient advenir lors d'un traitement inapproprié des déchets.

Pour plus d'informations à propos de la collecte et du recyclage des déchets d'équipements électriques et électroniques, veuillez contacter votre municipalité, votre service de traitement des déchets ou le point de vente où vous avez acheté les produits.

Pour les professionnels dans l'Union européenne:

Si vous souhaitez vous débarrasser des déchets d'équipements électriques et électroniques, veuillez contacter votre vendeur ou fournisseur pour plus d'informations.

Informations sur la mise au rebut dans d'autres pays en dehors de l'Union européenne:

Ce symbole est seulement valable dans l'Union européenne. Si vous souhaitez vous débarrasser de déchets d'équipements électriques et électroniques, veuillez contacter les autorités locales ou votre fournisseur et demander la méthode de traitement appropriée.

INTRODUCTION

Nous vous remercions d'avoir choisi le processeur de signal RM-CR. Ce processeur de signal produit un son plaisant et de haute qualité pour les conférences à distance organisées dans des salles de réunion ou des bureaux de dimensions moyennes. Veuillez à lire ce manuel avant d'utiliser le produit. Après sa lecture, conservez-le en lieu sûr pour toute référence ultérieure.

Éléments inclus dans l'emballage

- Manuel d'installation (ce document)
- Panneau d'accès (avec vis)
- Câble USB (de type A-B, de 5 mètres et pour la communication vocale)
- Câble USB (de type micro A vers B, de 1 mètre et pour la configuration)
- Pieds en caoutchouc (x4)

Accessoires disponibles en option

• Accessoire de montage RM-MRK

Cet accessoire sert à monter le produit dans rack de 19 pouces.

Pour des détails sur le montage avec l'accessoire RM-MRK, voyez « MONTAGE DANS UN RACK » (page. 55).

• Accessoire de montage RM-MTL

Cet accessoire sert à monter le produit sur le dessous d'un bureau.

Pour des détails sur le montage avec l'accessoire RM-MTL, voyez « MONTAGE SUR UN BUREAU » (page. 57).

Documentation disponible

Outre ce manuel d'installation, la documentation suivante est disponible pour ce produit.

• Manuel de référence du RM-CR

Ce manuel décrit les connexions entre ce produit et d'autres appareils ainsi que les réglages via l'interface utilisateur en ligne.

La documentation liée à ce produit peut être téléchargée sur le site Internet ci-dessous.
États-Unis et Canada

<https://uc.yamaha.com/support/>

Autres pays

<https://download.yamaha.com/>

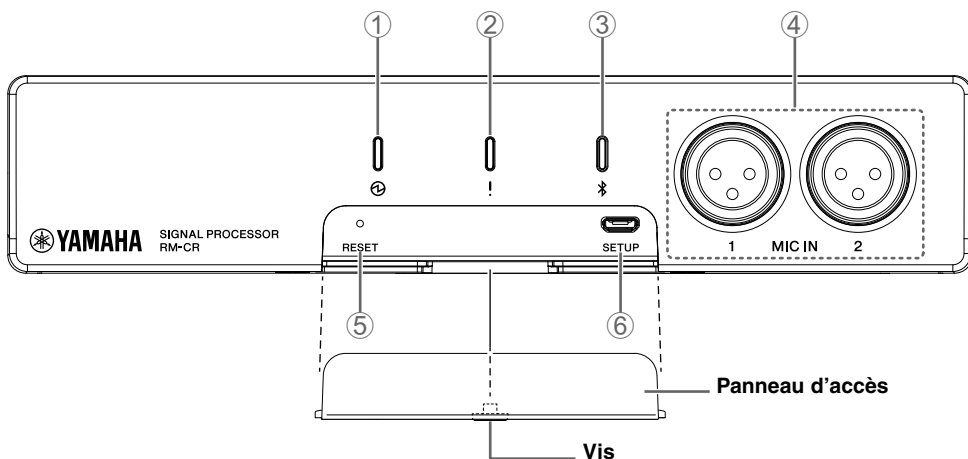
COMMANDES ET CONNECTEURS

Panneau avant

L'illustration de cette section montre le produit tel qu'il a été emballé à l'usine.

Après avoir effectué les réglages, vissez le panneau d'accès fourni avec sa vis pour rendre le bouton [RESET] et le port [SETUP] inaccessibles.

Pour des détails sur chaque témoin, voyez le "Manuel de référence du RM-CR".



① Témoin d'alimentation Ⓞ

Il s'agit du témoin d'alimentation. Ce témoin s'allume quand l'appareil est correctement alimenté via le port [Dante/PoE] sur le panneau arrière.

② Témoin de statut !

Ce témoin indique le statut de l'appareil.

③ Bouton/témoin Bluetooth ✎

Appuyez sur ce bouton pour appairer l'appareil à un smartphone via Bluetooth.

L'appariement avec un smartphone permet d'échanger de l'audio à distance.

④ Prises [MIC IN] 1/2

Ces prises jack XLR (symétriques) servent à brancher des micros dynamiques. Ne branchez pas de micro à condensateur à ces prises.

⑤ Bouton [RESET]

Enfoncez ce bouton à l'aide d'un objet fin et allongé, comme l'extrémité d'un trombone déplié.

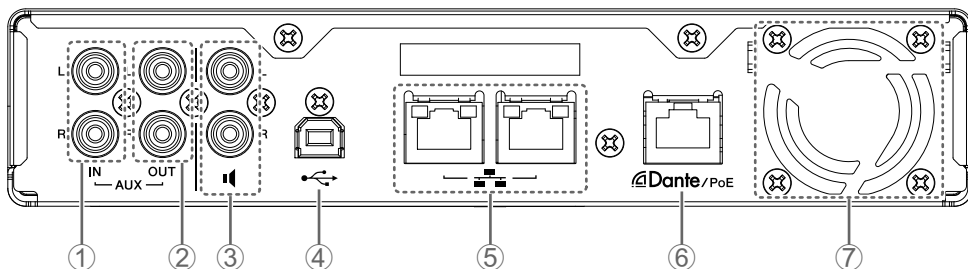
Longue pression	Statut du témoin	Paramètres initialisés
Entre 4 et 8 secondes	Clignote deux fois par seconde	Paramètres réseau
Entre 8 et 12 secondes	Clignote trois fois par seconde	Tous les paramètres (le système redémarre automatiquement après l'initialisation)

Appliquer une longue pression de moins de 4 secondes ou de plus de 12 secondes n'initialise aucun paramètre.

⑥ Port [SETUP]

Ce port permet de relier l'appareil à un ordinateur et de régler ses paramètres via un navigateur web. Effectuez cette connexion avec le câble USB (de type A vers micro B) fourni. Pour des détails sur les réglages, voyez le "Manuel de référence du RM-CR".

Panneau arrière



① Prises [AUX IN] L/R

Ces prises RCA (asymétriques) reçoivent les signaux audio. Utilisez ces prises si le signal audio du site distant est analogique.

② Prises [AUX OUT] L/R

Ces prises RCA (asymétriques) transmettent les signaux audio. Utilisez ces prises pour transmettre un signal audio analogique au site distant.

③ Prises pour enceintes

Ces prises RCA (asymétriques) transmettent les signaux audio. Utilisez ces prises si les enceintes actives ou l'ampli de puissance du site à distance ne prennent pas Dante en charge.

④ Port USB

Utilisez ce port pour relier l'appareil à un ordinateur afin d'échanger de l'audio avec un site à distance.

Effectuez cette connexion avec le câble USB (de type micro A vers B) fourni.

⑤ Ports réseau

Ces ports RJ-45 permettent de relier l'appareil au réseau de l'entreprise avec des câbles réseau (CAT5e ou supérieur) pour l'administration et le réglage des paramètres à distance, etc.

Le protocole DHCP est défini par défaut. Si vous voulez définir une adresse IP spécifique, faites-le avec l'interface utilisateur en ligne avant de connecter l'appareil au réseau de l'entreprise. Pour des détails sur les réglages, voyez le "Manuel de référence du RM-CR".

Vous pouvez aussi vous connecter à un réseau public pour permettre l'échange d'audio avec un site distant via le protocole SIP.

Avis : La longueur maximum des câbles est de 100 mètres.

: Pour éviter les interférences électromagnétiques, utilisez des câbles réseau blindés à paires torsadées ('Shielded Twisted Pair').

⑥ Port [Dante/PoE]

Ce port RJ-45 permet de relier un câble réseau (CAT5e ou supérieur) via un injecteur PoE conforme IEEE802.3at ou le commutateur de réseau PoE à un dispositif Dante tel que le RM-CG.

Avis : Connectez exclusivement un dispositif compatible Dante ou prenant en charge gigabit Ethernet (y compris un ordinateur).

• La longueur maximum des câbles est de 100 mètres.

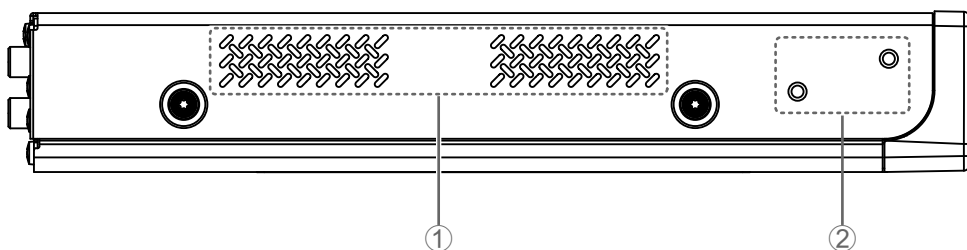
• Pour éviter les interférences électromagnétiques, utilisez un câble réseau blindé à paires torsadées ('Shielded Twisted Pair').

⑦ Orifice de sortie de ventilation

Ce produit est doté d'un ventilateur de refroidissement. Cet orifice évacue l'air chaud et ne doit donc jamais être bloqué.

Panneau latéral

L'illustration de cette section montre le panneau latéral gauche de l'appareil.



① Orifice d'entrée de ventilation

Cet orifice laisse entrer l'air pour la ventilation et ne doit donc jamais être bloqué. Veillez en outre à nettoyer régulièrement cet orifice. Une accumulation de poussière sur cet orifice pourrait provoquer une hausse de la température à l'intérieur de l'appareil et causer des dysfonctionnements.

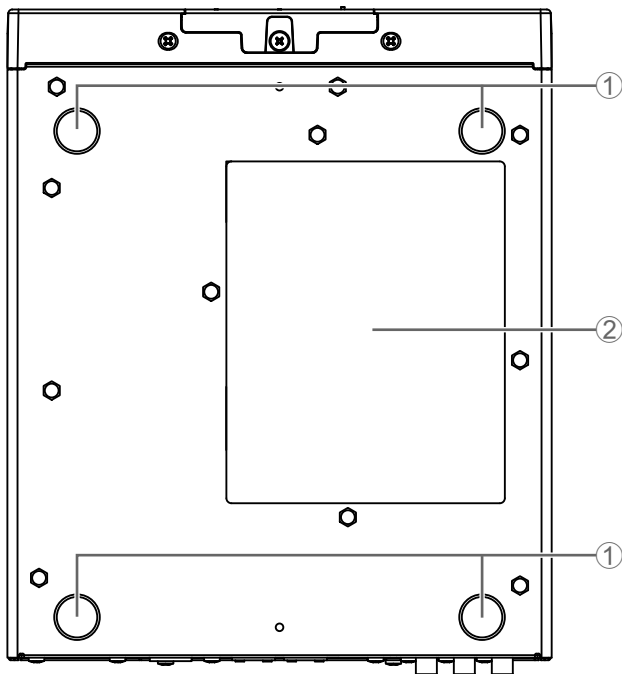
② Orifices de fixation pour accessoire de montage

Fixez l'accessoire de montage RM-MRK ou RM-MTL sur ces orifices.

Pour des détails sur le montage avec l'accessoire RM-MRK, voyez « MONTAGE DANS UN RACK » (page. 55).

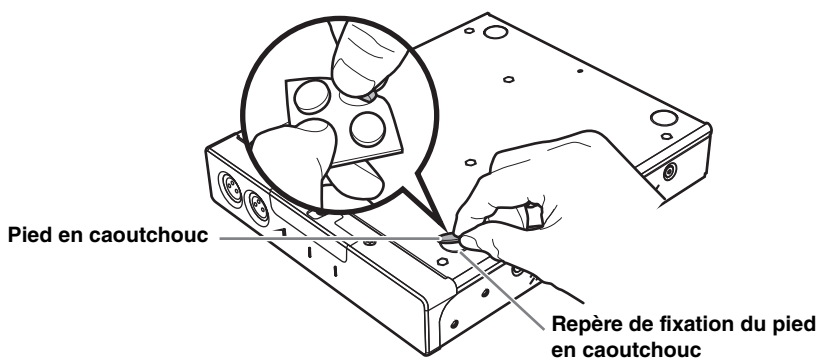
Pour des détails sur le montage avec l'accessoire RM-MTL, voyez « MONTAGE SUR UN BUREAU » (page. 57).

Panneau inférieur



① Repères de fixation des pieds en caoutchouc

C'est à ces emplacements que vous fixez les pieds en caoutchouc fournis. Fixez les pieds en caoutchouc fournis comme illustré ci-dessous.



② Étiquette de modèle

Cette étiquette indique le nom de modèle, le numéro de série ainsi que l'adresse MAC de l'appareil.

MONTAGE DANS UN RACK

Montez l'appareil dans un rack à l'aide de l'accessoire de montage RM-MRK disponible en option.

Lisez attentivement ces informations avant de monter l'appareil dans un rack.

Le fonctionnement correct de cet appareil est garanti dans une plage de température de 0 à 40°C. Si l'appareil est monté en rack en compagnie d'autres dispositifs, la chaleur générée par l'ensemble des appareils pourrait élever la température à l'intérieur du rack et ainsi compromettre le fonctionnement correct de ce produit. Pour éviter une accumulation de la chaleur à l'intérieur de l'appareil, montez-le dans le rack conformément aux consignes ci-dessous.

- Si cet appareil est monté dans un rack avec d'autres dispositifs qui tendent à produire de la chaleur, tels que des amplificateurs de puissance, conservez un espace d'au moins une unité de rack (1U) entre l'appareil et les dispositifs en question. Veillez aussi à assurer une ventilation suffisante du rack en montant un panneau de ventilation ou en gardant le rack ouvert.
- Laissez le panneau arrière du rack ouvert et veillez à conserver un espace d'au moins 10 cm entre le dos du rack et le mur ou le plafond pour permettre une ventilation suffisante. S'il n'est pas possible d'ouvrir le panneau arrière du rack, installez un dispositif de ventilation active comme un ventilateur en kit disponible dans le commerce. Si vous installez un ventilateur en kit, il pourrait être préférable de garder le panneau arrière du rack fermé pour assurer une dissipation thermique optimale. Pour plus d'informations, consultez la documentation du rack et/ou du ventilateur en kit.

Attention: Veillez à retirer cet appareil du rack avant de déplacer ce dernier.



Si vous déplacez le rack sans en retirer cet appareil, le mouvement et les vibrations pourraient déformer ou briser l'accessoire de montage et poser des risques de blessures. En outre cela pourrait causer un dysfonctionnement de l'appareil.

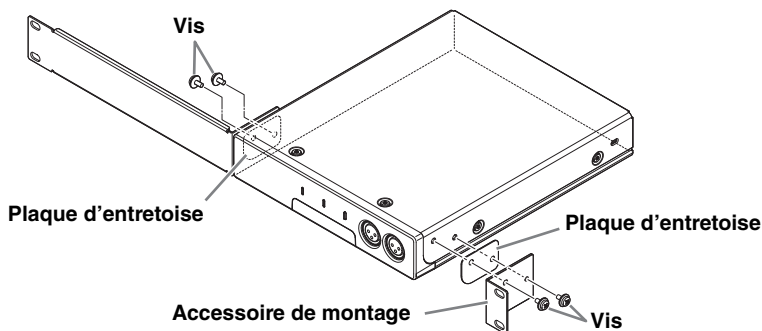
[Montage]

Les illustrations de cette section montrent le montage avec la longue attache métallique fixée sur le côté gauche (vue depuis l'avant) de l'appareil. Cette procédure s'applique aussi au montage avec la longue attache métallique fixée sur l'autre côté de l'appareil.

Avis: Si les pieds en caoutchouc fournis sont déjà installés sur l'appareil, retirez-les.

1. Quand vous fixez chaque attache métallique, veillez à placer la plaque d'entretoise fournie entre cet appareil et l'attache métallique.

Fixez une attache métallique de chaque côté de l'appareil avec les vis de montage (x4) fournies avec l'accessoire de montage.

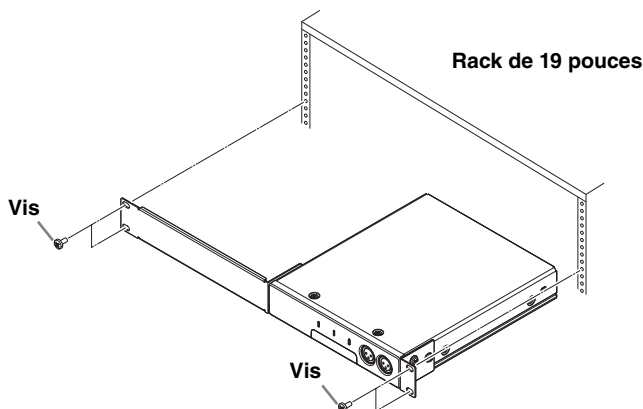


Avertissement: Utilisez uniquement les vis de montage fournies avec l'accessoire de montage.

Une chute de l'appareil pourrait causer des blessures ou des dommages. En outre cela pourrait causer une électrocution ou des dysfonctionnements.

2. Fixez les attaches métalliques sur le rack de 19 pouces.

Fixez l'appareil monté sur ses attaches métalliques sur le rack de 19 pouces à l'aide des quatre vis fournies. Serrez correctement les vis pour éviter qu'elles ne se desserrent.



MONTAGE SUR UN BUREAU

Montez l'appareil sur le dessous d'un bureau à l'aide de l'accessoire de montage RM-MTL disponible en option.

Procurez-vous quatre vis d'un diamètre d'environ 5 mm (vis M5) adaptées au matériau et à l'épaisseur du bureau.

Exécutez les 4 étapes de la procédure de montage.



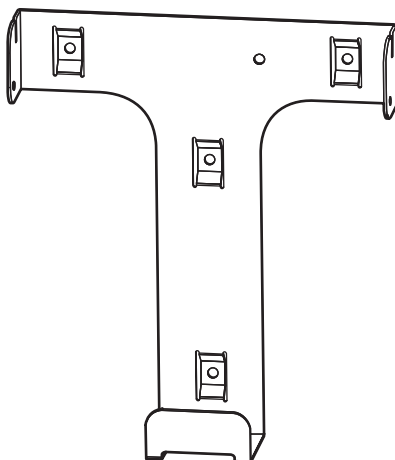
Avertissement: Fixez uniquement l'appareil sur le dessous d'un bureau. Une chute de l'appareil pourrait causer des blessures ou des dommages.

Attention: Ce montage doit être exécuté par un technicien de montage qualifié. Faites attention aux points suivants durant le montage.



- Veillez à ce que les vis et le bureau soient capables de supporter sans problème le poids de l'appareil.
- Ne montez pas l'appareil sur une surface soumise à des vibrations continues.
- Utilisez exclusivement l'accessoire de montage spécifié.
- Effectuez des contrôles périodiques.

1. Montez l'attache métallique sur le dessous du bureau avec quatre vis d'un diamètre d'environ 5 mm disponibles dans le commerce.



Dans l'illustration ci-dessus, le dessus correspond à l'avant de l'attache métallique.

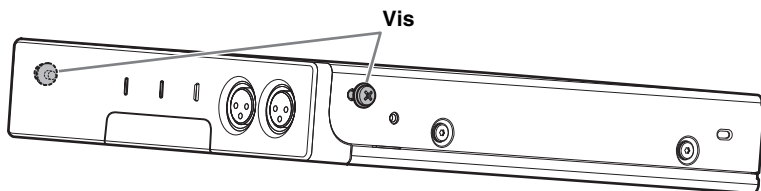


Avertissement: Il est impératif d'utiliser des vis adaptées au matériau de la plaque du bureau.

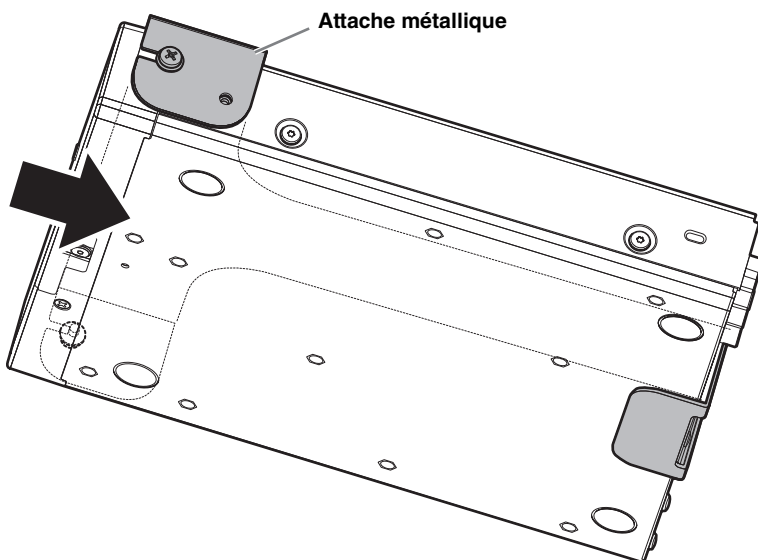
Une chute de l'appareil pourrait causer des blessures ou des dommages.

2. Installez provisoirement les deux vis fournies sur les deux orifices avant de l'appareil destinés à la fixation de l'attache métallique.

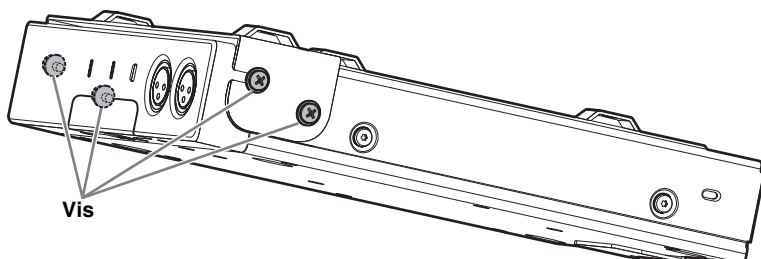
Veillez à conserver un espace d'environ 2 mm entre le bord de l'appareil et la tête de la vis, de sorte que les vis se logent facilement dans l'attache métallique.



3. Glissez l'appareil de sorte que les vis que vous avez fixées temporairement à l'étape 2 se logent dans les fentes de l'attache métallique montée sur le dessous du bureau.



4. Serrez les quatre vis dans les orifices de l'accessoire de montage.



SPÉCIFICATIONS PRINCIPALES

Spécifications générales

Dimensions		L215 mm × P264 mm × H44 mm
Poids		1,6 kg
Alimentation		PoE+ (IEEE802.3at, LLDP), CC 48 V
Consommation maximale		15,0 W
Température	D'utilisation	0 °C à 40 °C
	De remisage	-20 °C à 60 °C
Humidité	D'utilisation	30% à 90% (sans condensation)
	De remisage	20% à 90% (sans condensation)
Témoins		<ul style="list-style-type: none">• Alimentation• Statut• Bluetooth• Témoin de port réseau (×3)
Éléments inclus dans l'emballage		Manuel d'installation (ce document), panneau d'accès (avec sa vis), câble USB (de type A-B), câble USB (de type A vers micro B), pieds en caoutchouc (×4)
Accessoires disponibles en option		Accessoire de montage: RM-MTL Accessoire de montage: RM-MRK

Spécifications audio

Réponse en fréquence		20 Hz à 20 kHz	
Taux d'échantillonnage		48 kHz	
Résolution		24 bits	
Latence		8 [ms] (entrée Dante vers sortie USB, y compris le traitement des signaux)	
Interface audio	Dante	16 entrées × 16 sorties	
	USB	USB2.0 de type B, classe audio 1.0 Entrée: 2 canaux, Sortie: 2 canaux sous 48 kHz	
	Entrée micro	XLR symétrique, Entrée: 2 canaux	
	AUX	XLR asymétrique (niveau ligne), Entrée: 2 canaux, Sortie: 2 canaux	
	Sortie pour enceinte	XLR asymétrique (niveau ligne), Sortie: 2 canaux	
	Bluetooth	Version 4.2 Protocoles pris en charge: HFP (1.6), A2DP, AVRCP (1.6) Codecs pris en charge: CVSD, SBC, mSBC Sortie sans fil: Classe 2 Distance maximum de communication: 10 mètres (sans obstacles) Fréquences sans fil (fréquences de service): 2,402 à 2,480 MHz Puissance de transmission maximum (EIRP): 4,0 dBm (2,5 mW)	
	SIP	Gestion des appels	Passer un appel, prendre un appel, mettre en attente, reprendre l'appel, renvoyer un appel, mode 'ne pas déranger', identifiant d'appel, notification de messagerie vocale (configuration via commutateurs)
		Lier les appels	Prend en charge le lien des appels SIP, USB, BT et AUX. Joindre, séparer, mettre en attente, reprendre, 5+1 lignes: Jusqu'à 2 appels SIP, 1 appel USB, 1 appel Bluetooth, 1 appel AUX plus l'utilisateur
		Codecs	G.711, G.722HD, G.729ab, G.726
		Prise en charge DTMF	Événement RTP, SIP en bande, paquet d'informations SIP
Sécurité		SRTP pris en charge (RFC 1889), IETF SIP pris en charge (RFC 3261 et RFC connexes)	

Spécifications réseau

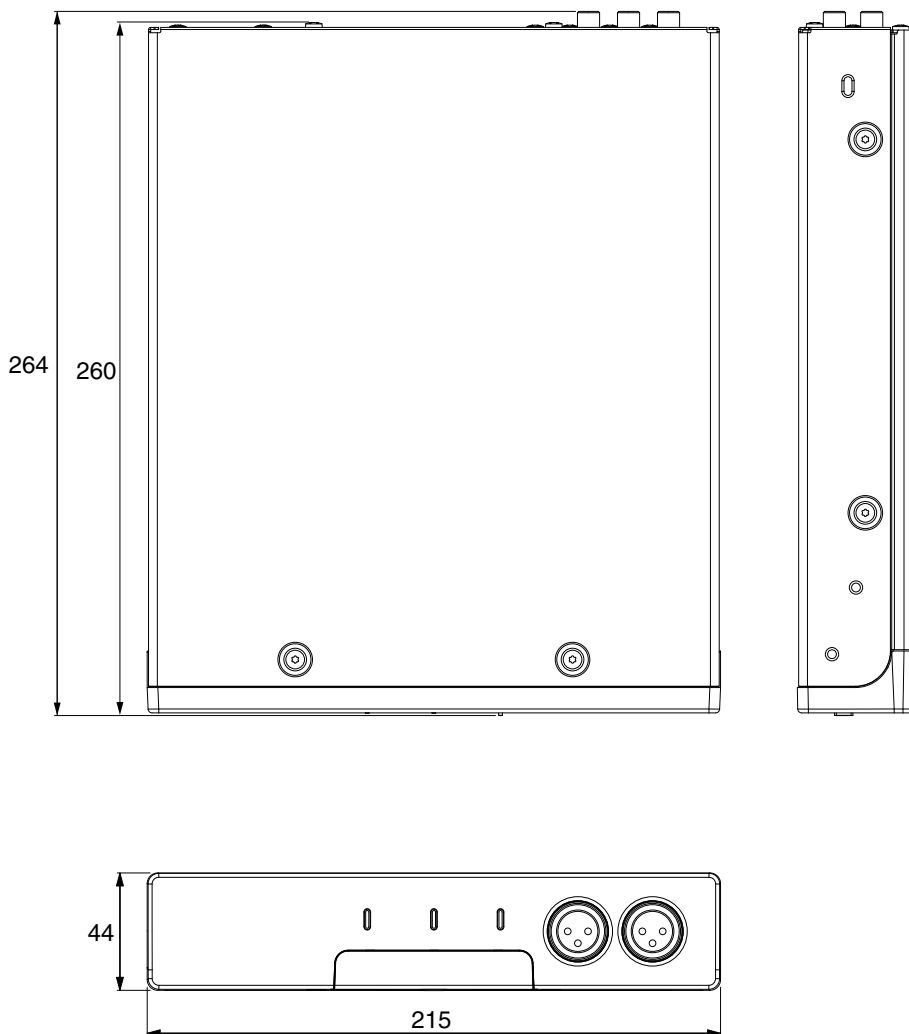
Port [Dante/PoE]	Dante Audio/Dante Control, Commande à distance, WebUI, PoE+ pris en charge Type de câble: CAT5e ou supérieur, STP
Ports réseau	Réseau d'entreprise, Commande à distance, SIP, WebUI Type de câble: CAT5e ou supérieur, STP
Port [SETUP]	USB2.0 micro, Network Class, WebUI, IP fixe Type de câble: câble USB (de type A vers micro B)

Caractéristiques des entrées/sorties

Prise d'entrée	Impédance de charge réelle	Pour impédance nominale de	Niveau d'entrée		Prise
			Nominal	Max. avant écrêtage	
MIC IN 1, 2	2,2 k Ω	50 – 600 Ω	-46 dBu	-26 dBu	XLR-3-31 (symétrique)
AUX IN L, R	20 k Ω	1 k Ω	-14 dBV	+6 dBV	RCA/Cinch

Prise de sortie	Impédance de source réelle	Pour impédance nominale de	Niveau de sortie		Prise
			Nominal	Max. avant écrêtage	
AUX OUT L, R	1 k Ω	10 k Ω	-14 dBV	+6 dBV	RCA/Cinch
SP OUT L, R	1 k Ω	10 k Ω	-14 dBV	+6 dBV	RCA/Cinch

Schéma dimensionnel



Unité: mm

CONTENIDO

PRECAUCIONES	64
AVISO	66
INFORMACIÓN	67
INTRODUCCIÓN	69
Elementos incluidos	69
Elementos que se venden por separado	69
Estructura del manual	69
CONTROLES Y CONECTORES.....	70
Panel delantero	70
Panel trasero	72
Panel lateral	73
Panel inferior	74
INSTALACIÓN EN UN BASTIDOR	75
INSTALACIÓN EN UNA MESA.....	77
ESPECIFICACIONES PRINCIPALES	79
Diagrama de dimensiones	82

El número de modelo, el número de serie, los requisitos de alimentación, etc. pueden encontrarse en la placa de identificación o cerca de ella. Esta placa se encuentra en la parte inferior de la unidad. Debe anotar dicho número en el espacio proporcionado a continuación y conservar este manual como comprobante permanente de su compra para facilitar la identificación en caso de robo.

Nº de modelo

Nº de serie

(bottom_es_01)

PRECAUCIONES

LEA ATENTAMENTE LA SIGUIENTE INFORMACIÓN ANTES DE CONTINUAR.

Conserve este manual en un lugar seguro como referencia futura.

Yamaha no se hace responsable de los daños causados por un uso inapropiado o modificaciones del producto, ni de los datos perdidos o destruidos.



ADVERTENCIA

Siga siempre las precauciones básicas descritas a continuación para evitar la posibilidad de lesiones graves o mortales por descarga eléctrica, cortocircuito, daños, incendio u otros peligros. Entre estas precauciones se incluyen, entre otras, las siguientes:

Advertencia sobre el contacto con fuego

- No coloque objetos ardientes ni llamas abiertas cerca del producto, ya que existe riesgo de incendio.

Pérdida auditiva

- Antes de encender o apagar los dispositivos, asegúrese de ajustar el nivel de volumen de todos ellos al mínimo. De no seguirse estas instrucciones, existe riesgo de pérdida de audición, descarga eléctrica o daños en el dispositivo.
- Cuando encienda la alimentación de corriente alterna (CA) del sistema de audio, encienda siempre el amplificador de potencia EN ÚLTIMO LUGAR para evitar sufrir pérdida de audición y no provocar daños en los altavoces. Al apagar la alimentación, el amplificador de potencia se debe desactivar en PRIMER LUGAR por el mismo motivo.

Unidad inalámbrica

- No utilice este producto cerca de dispositivos médicos ni dentro de instalaciones sanitarias. Las ondas de radiofrecuencia de este producto pueden afectar a los dispositivos de electromedicina.
- No utilice este producto a menos de 15 cm de personas que tengan implantado un marcapasos o un desfibrilador. Las ondas de radiofrecuencia que emite este producto pueden afectar a los dispositivos de electromedicina implantados, como marcapasos o desfibriladores.



ATENCIÓN

Siga siempre las precauciones básicas descritas a continuación para evitar la posibilidad de que usted u otras personas sufran lesiones físicas. Entre estas precauciones se incluyen, entre otras, las siguientes:

Si observa cualquier anomalía

- Si se produce cualquiera de los siguientes problemas, apague inmediatamente el inyector PoE o el conmutador de red con PoE y desconecte el cable.
 - El cable LAN está dañado.
 - Se emiten humo u olores inusuales.
 - Un objeto o agua han caído al interior del producto.

- Se produce una pérdida repentina de sonido durante el uso del producto.
 - Aparecen grietas u otros daños visibles en el producto.
- Pida al Servicio técnico cualificado de Yamaha que inspeccione o repare el producto.

Ubicación y conexión

- Al conectar este producto con un inyector PoE o un conmutador de red con PoE, utilice un cable LAN CAT5e o superior que admita el voltaje de alimentación máximo (57 V) según la norma IEEE 802.3at. Si conecta un cable que no cumpla las especificaciones, o si conecta un cable de tipo plano o delgado, puede producirse un incendio o fallos de funcionamiento.
- Evite dañar el cable LAN. Si no se cumple esta precaución, puede producirse un incendio, una descarga eléctrica o daños en el producto.
 - No coloque objetos pesados sobre el cable.
 - No modifique el cable de ninguna manera.
 - No utilice grapas para fijar el cable en su lugar.
 - No aplique una fuerza excesiva sobre el cable.
 - Asegúrese de mantener el cable alejado de cualquier objeto caliente.
- No coloque el producto en una posición inestable o en una ubicación con vibraciones excesivas, donde pueda caerse accidentalmente y provocar lesiones.
- Mantenga este producto fuera alcance de los niños. Este producto no es adecuado para su uso en lugares donde es probable que haya niños.
- No bloquee las rejillas. Este producto cuenta con orificios de ventilación en la parte trasera y los laterales para evitar que la temperatura interna se eleve en exceso. En concreto, no apoye el producto sobre un lateral o boca abajo. Una ventilación inadecuada puede provocar un sobrecalentamiento, lo que puede a su vez causar daños en los productos o incluso un incendio.
- Al instalar el producto:
 - No tape el dispositivo con ningún tipo de tela.
 - No lo instale sobre moquetas o alfombras.
 - Asegúrese de que la superficie superior queda hacia arriba; no instale la unidad sobre los laterales ni boca abajo.
 - No utilice el producto en un lugar demasiado pequeño o mal ventilado.

Una ventilación inadecuada puede provocar un sobrecalentamiento, lo que puede a su vez causar daños en los productos o incluso un incendio.
- Si el producto se monta en un bastidor estándar EIA, lea atentamente la sección “Lea esta información antes de montar la unidad en un bastidor” en la página 75. Una ventilación inadecuada puede provocar un sobrecalentamiento, lo que puede a su vez causar daños en los productos, fallos de funcionamiento o incluso un incendio.
- No coloque el producto en un lugar donde pueda entrar en contacto con gases corrosivos o aire salobre. Si ocurriera, podría dar lugar a un funcionamiento defectuoso.
- Antes de trasladar el producto, retire todos los cables conectados.
- No coloque los cables donde alguien pueda tropezar con ellos, como en un lugar por donde pase gente. Al tropezar con un cable, la persona o el producto se pueden caer, lo que provocará lesiones personales o daños en el producto.
- No utilice el accesorio de montaje RM-MTL (se vende por separado) para acoplar la unidad a un techo o pared que tenga una altura superior a 2 metros. Si la unidad se cae, se pueden producir lesiones o daños.
- Consulte siempre con el Servicio técnico cualificado de Yamaha si para la instalación del producto es necesario realizar trabajos de construcción. La instalación incorrecta puede provocar accidentes, lesiones, daños o fallos de funcionamiento de este producto.

No abrir

- Este producto no contiene piezas que pueda reparar el usuario. No intente desmontar las piezas internas ni modificarlas de manera alguna.

Advertencia sobre el agua

- No esponga el producto a la lluvia, ni lo use cerca del agua o en lugares donde haya mucha humedad o donde pueda gotear agua, ni le ponga encima recipientes (como jarrones, botellas o vasos) que contengan líquido, ya que podrían derramarse y penetrar por las aberturas.
- Nunca enchufe o desenchufe un cable con las manos mojadas.

Precauciones de uso

- No introduzca los dedos o las manos en los huecos o aberturas del producto (rejillas, etc.).
- No se apoye en el producto ni coloque objetos pesados encima.

Batería de reserva

- No intente sustituir la batería de reserva. Si lo hace, puede provocar una explosión o daños en los productos.

AVISO

Manipulación y mantenimiento

- No conecte este producto directamente a una Wi-Fi pública o a Internet. Conecte este producto a Internet solo a través de un enrutador que tenga una contraseña de alta seguridad. Consulte al fabricante del enrutador para obtener más información sobre las mejores prácticas de seguridad.
- No utilice el producto cerca de televisores, radios u otros aparatos eléctricos. De lo contrario, el aparato, el televisor o la radio podrían generar ruido.
- No esponga el producto a un exceso de polvo o vibraciones, ni a calor o frío intensos, para evitar que se deforme el panel, que se dañen los componentes internos o un funcionamiento inestable.
- No lo coloque en lugares con cambios de temperatura acusados. De lo contrario, puede formarse condensación en el interior o en la superficie del producto, lo que provocará su rotura.
- Si hay motivos para creer que se ha producido condensación, deje el producto apagado durante varias horas hasta que la condensación se haya secado por completo, para evitar posibles daños.
- No coloque objetos de vinilo, plástico o goma sobre el producto, ya que podrían alterar o decolorar el panel.
- Cuando limpie el producto, utilice un paño seco y suave. No use diluyentes de pintura, disolventes, líquidos limpiadores ni paños impregnados con productos químicos, ya que podrían provocar alteraciones o decoloración.
- Las patas de goma incluidas en este paquete se pueden acoplar al producto para evitar deslizamientos cuando se vaya a utilizar en una superficie resbaladiza.

INFORMACIÓN

Acerca de las funciones/datos incluidos con el producto



- Este es un producto de clase A. El uso de este producto en un entorno residencial podría provocar interferencias de radio.
- Consulte en el sitio web que figura a continuación para ver las condiciones de licencia del software de código abierto utilizado en este producto.
<https://download.yamaha.com/>
- Este producto utiliza el chip Dante Broadway. Consulte el sitio web de Audinate (en inglés) para ver información detallada sobre las licencias de código abierto del software concreto.
<https://www.audinate.com/software-licensing>
- Los conectores de tipo XLR están cableados así (norma IEC60268):
clavija 1: tierra, clavija 2: activo (+) y clavija 3: pasivo (-).



La marca denominativa Bluetooth® y los logotipos son marcas comerciales registradas propiedad de Bluetooth SIG, Inc. y cualquier uso de dichas marcas por parte de Yamaha Corporation es bajo licencia.

Acerca de este manual

- Este Manual de instalación utiliza las siguientes palabras indicadoras para la información importante:

 ADVERTENCIA	Este contenido está relacionado con “riesgo de lesiones graves o muerte”.
 ATENCIÓN	Este contenido está relacionado con “riesgo de lesiones”.
AVISO	Indica contenido que debe cumplir para evitar fallos de funcionamiento, daños o un funcionamiento incorrecto del producto, así como para evitar la pérdidas de datos.
IMPORTANTE	Indica contenido que debe conocer para operar y utilizar el producto correctamente.
NOTA	Indica información relacionada con el funcionamiento y el uso. Lea este contenido como referencia.

- Las ilustraciones que se muestran en este manual son únicamente orientativas.
- Los nombres de empresas y productos utilizados en este manual son marcas comerciales o marcas comerciales registradas de sus respectivos titulares.
- El software podría revisarse y actualizarse sin previo aviso.
- El contenido de este manual es aplicable a las especificaciones más recientes en la fecha de publicación. Para obtener el manual más reciente, acceda al sitio web de Yamaha y descargue el archivo del manual.

Sobre la eliminación

- Este producto contiene componentes reciclables. Para desechar este producto, póngase en contacto con las autoridades locales correspondientes.

Información para usuarios sobre la recogida y eliminación de los equipos antiguos



Este símbolo en los productos, embalajes y documentos anexos significa que los productos eléctricos y electrónicos no deben mezclarse con los desperdicios domésticos normales.

Para el tratamiento, recuperación y reciclaje apropiados de los productos antiguos, llévelos a puntos de reciclaje correspondientes, de acuerdo con la legislación nacional.

Al deshacerse de estos productos de forma correcta, ayudará a ahorrar recursos valiosos y a impedir los posibles efectos desfavorables en la salud humana y en el entorno que de otro modo se producirían si se trataran los desperdicios de modo inapropiado.

Para obtener más información acerca de la recogida y el reciclaje de los productos antiguos, póngase en contacto con las autoridades locales, con el servicio de eliminación de basuras o con el punto de venta donde adquirió los artículos.

Para los usuarios empresariales de la Unión Europea:

Si desea desechar equipos eléctricos y electrónicos, póngase en contacto con su vendedor o proveedor para obtener más información.

Información sobre la eliminación en otros países fuera de la Unión Europea:

Este símbolo solo es válido en la Unión Europea. Si desea desechar estos artículos, póngase en contacto con las autoridades locales o con el vendedor y pregúnteles el método correcto.

INTRODUCCIÓN

Gracias por adquirir el procesador de señales RM-CR. Este producto es un procesador de señales que produce un sonido agradable y de gran calidad para las teleconferencias que se celebran en salas de reuniones de tamaño medio de oficinas. Asegúrese de leer este manual antes de utilizar el producto. Conserve este manual en un lugar seguro como referencia futura.

Elementos incluidos

- Manual de instalación (este documento)
- Panel de acceso (con tornillo)
- Cable USB (tipo A-B, 5 metros, para comunicación de voz)
- Cable USB (tipo A-micro B, 1 metro, para configuración)
- Patas de goma (4 unidades)

Elementos que se venden por separado

- **Accesorio de montaje para RM-MRK**

Es necesario cuando el producto se instala en un bastidor de 19 pulgadas. Para obtener información sobre cómo acoplar el sistema RM-MRK, consulte "INSTALACIÓN EN UN BASTIDOR" (página. 75).

- **Accesorio de montaje para RM-MTL**

Es necesario cuando el producto se instala en la parte inferior de una mesa. Para obtener información sobre cómo acoplar el sistema RM-MTL, consulte "INSTALACIÓN EN UNA MESA" (página. 77).

Estructura del manual

En relación con este producto, están disponibles los siguientes materiales además de este manual de instalación.

- **Manual de referencia del RM-CR**

Se describen las conexiones entre este dispositivo y los dispositivos externos, así como los ajustes a través de la interfaz de usuario web.

En el siguiente sitio web pueden descargarse documentos relacionados.

<https://download.yamaha.com/>

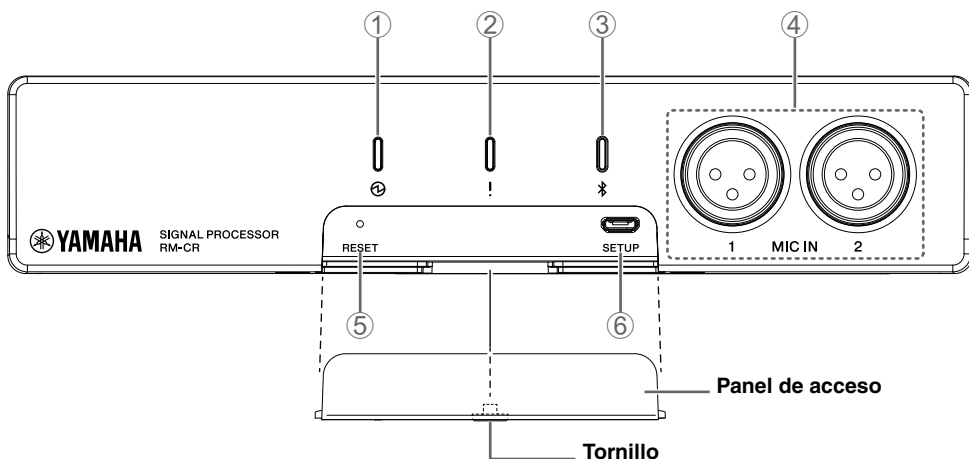
CONTROLES Y CONECTORES

Panel delantero

La explicación siguiente utiliza una ilustración que muestra el estado en el que se suministra el producto.

Una vez realizados los ajustes necesarios, utilice el tornillo para apretar el panel de acceso incluido de modo que no se pueda acceder al botón [RESET] ni al puerto [SETUP].

Para ver información detallada sobre cada indicador, consulte el “Manual de referencia del RM-CR”.



① Indicador (alimentación)

Este es el indicador de la fuente de alimentación. Se enciende cuando se suministra correctamente energía al puerto [Dante/PoE] del panel trasero.

② Indicador (estado)

Indica el estado de la unidad.

③ Botón/Indicador (Bluetooth)

Pulse este botón para vincular la unidad con un smartphone a través de Bluetooth. Al conectarlo a un smartphone, puede intercambiar audio con una ubicación remota.

④ Tomas [MIC IN] 1/2

Se trata de tomas XLR (balanceadas) para conectar micrófonos dinámicos. No conecte aquí micrófonos de condensador.

⑤ Botón [RESET]

Utilice un objeto acabado en una punta fina, como un pasador de expulsión, para presionar este botón.

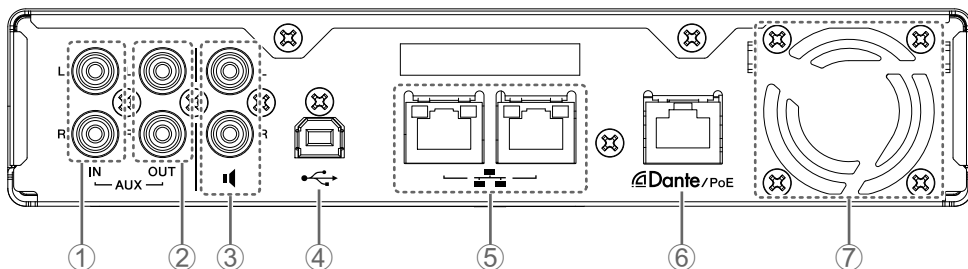
Presión larga	Indicador de estado	Objetivo de restablecimiento
Entre 4 segundos y menos de 8 segundos	Parpadea dos veces por segundo	Ajustes relacionados con la red
Entre 8 segundos y menos de 12 segundos	Parpadea tres veces por segundo	Todos los ajustes (se reinicia automáticamente tras la inicialización)

Si realiza una presión larga en este botón durante menos de 4 segundos o durante 12 segundos o más, no se restablece nada.

⑥ Puerto [SETUP]

Este puerto se puede utilizar para conectar el sistema a un ordenador y poder realizar los ajustes en un navegador de Internet. Utilice el cable USB incluido (tipo A-micro B) para realizar esta conexión. Para ver información detallada sobre los ajustes, consulte el "Manual de referencia del RM-CR".

Panel trasero



① Tomas [AUX IN] L/R

Estas son las tomas RCA (no balanceadas) para la entrada de audio. Utilice estas tomas si el audio desde la ubicación remota es analógico.

② Tomas [AUX OUT] L/R

Estas son las tomas RCA (no balanceadas) para la salida de audio. Utilice estas tomas si el audio hacia la ubicación remota es analógico.

③ Tomas de altavoz

Estas son las tomas RCA (no balanceadas) para la salida de audio. Utilice estas tomas si el altavoz con alimentación o el amplificador de potencia utilizados en la ubicación remota no admiten Dante.

④ Puerto USB

Utilice este puerto al realizar la conexión a un ordenador para intercambiar audio con una ubicación remota.

Utilice el cable USB incluido (tipo A-B) para realizar esta conexión.

⑤ Puertos de red

Se trata de los puertos RJ-45 a los que puede conectar cables LAN (CAT5e o superior) para realizar tareas remotas de administración y configuración a través de la red de la empresa, etc.

El ajuste predeterminado es DHCP. Si desea utilizar una dirección IP específica, utilice la interfaz de usuario web para especificar la dirección IP antes de conectarse a la red de la empresa. Para ver información detallada sobre los ajustes, consulte el "Manual de referencia del RM-CR".

También puede conectarse a una red pública para intercambiar audio con una ubicación remota a través del protocolo SIP.

Aviso : La longitud máxima de cable que se puede utilizar es 100 metros.

: Para evitar interferencias electromagnéticas, utilice cables STP (par trenzado blindado).

⑥ Puerto [Dante/PoE]

Se trata de un puerto RJ-45 al que puede conectar un cable LAN (CAT5e o superior) a través de un inyector PoE conforme a la norma IEEE 802.3at o el conmutador de red con PoE a una unidad Dante como el sistema RM-CG.

Aviso : Conecte exclusivamente un dispositivo compatible con Dante o un dispositivo (incluido un ordenador) que admita Gigabit Ethernet.

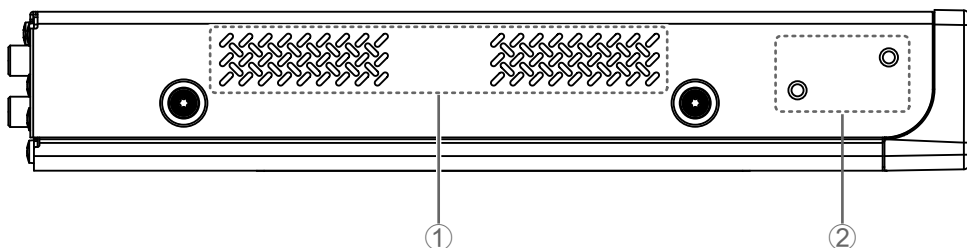
- La longitud máxima de cable que se puede utilizar es 100 metros.
- Para evitar interferencias electromagnéticas, utilice un cable STP (par trenzado blindado).

⑦ Rejilla de escape

Este producto cuenta con un ventilador de refrigeración. El aire caliente se expulsa a través de esta rejilla, así que asegúrese de que ningún objeto la bloquee.

Panel lateral

Esta explicación utiliza una ilustración del lado izquierdo visto desde la parte delantera.



① Rejilla de entrada

El aire de refrigeración entra a través de esta rejilla, así que asegúrese de que ningún objeto la bloquee. Se recomienda limpiar esta rejilla periódicamente. Si se acumula polvo en esta rejilla, la temperatura del interior de la unidad podría elevarse y provocar que la unidad no funcione con normalidad.

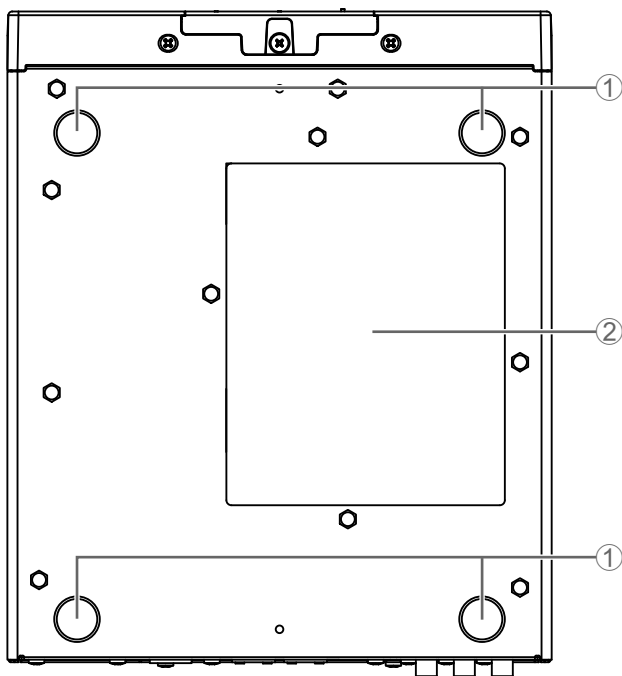
② Orificios de acoplamiento del accesorio de montaje

Utilícelos para acoplar el accesorio de montaje para RM-MRK o RM-MTL.

Para obtener información sobre cómo acoplar el sistema RM-MRK, consulte “INSTALACIÓN EN UN BASTIDOR” (página. 75).

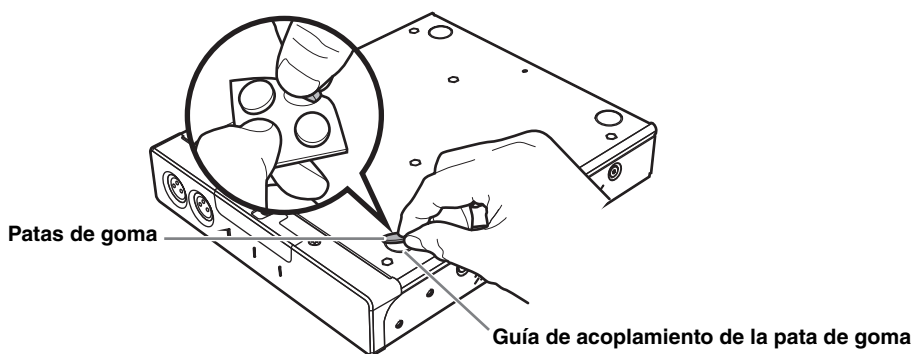
Para obtener información sobre cómo acoplar el sistema RM-MTL, consulte “INSTALACIÓN EN UNA MESA” (página. 77).

Panel inferior



① Guías de acoplamiento de las patas de goma

Estas son las ubicaciones para acoplar las patas de goma incluidas. Acople las patas de goma incluidas como se muestra en la ilustración.



② Etiqueta del producto

Aquí se muestra el nombre del modelo, el número de serie y la dirección MAC de esta unidad.

INSTALACIÓN EN UN BASTIDOR

Utilice el accesorio de montaje para RM-MRK (se vende por separado) para instalar la unidad.

Lea esta información antes de montar la unidad en un bastidor

Este producto está garantizado para funcionar en un intervalo de temperatura de 0–40 °C. Si se monta en un bastidor junto con otros dispositivos, pueden producirse casos en los que el calor de los distintos dispositivos eleve la temperatura del interior del bastidor, provocando que el producto no pueda funcionar satisfactoriamente. Para evitar que la temperatura del interior de la unidad aumente, monte la unidad en el bastidor siguiendo los requisitos siguientes.

- Si este producto se monta junto con dispositivos propensos a producir calor, como amplificadores de potencia, deje al menos 1U de espacio entre este producto y otros dispositivos. Asegúrese también de mantener una ventilación suficiente en este espacio instalando un panel de ventilación o dejándolo abierto.
- Deje abierto el panel trasero del bastidor y asegúrese de que el bastidor esté a una distancia mínima de 10 cm de la pared o el techo para que haya una circulación de aire suficiente. Si no puede abrir el panel trasero del bastidor, instale un dispositivo de ventilación forzada disponible en el mercado, como un kit de ventilador. Si instala un kit de ventilador, la disipación de calor puede funcionar mejor cerrando el panel trasero. Para obtener más información, consulte el manual de instrucciones del bastidor o del kit de ventilador.

Atención: Si tiene previsto cambiar la ubicación del bastidor, asegúrese de retirar primero esta unidad.



Si este producto se traslada mientras está montado en un bastidor, las vibraciones, etc. podrían provocar la deformación o rotura del accesorio, lo que a su vez posiblemente causaría lesiones. También cabe la posibilidad de que se produzca un fallo de funcionamiento de esta unidad.

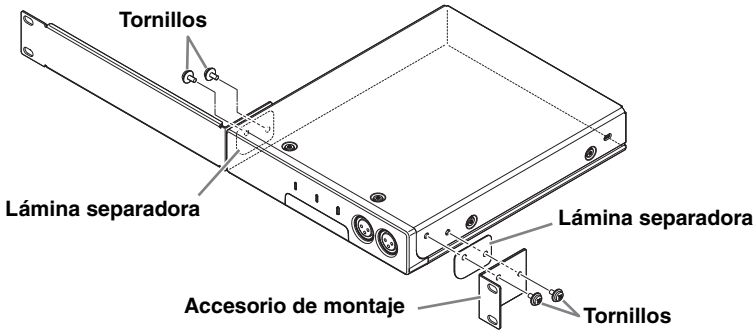
[Instalación]

El ejemplo que se muestra aquí es para un montaje en el que el accesorio de metal largo se acopla al lado izquierdo visto desde la parte delantera. El procedimiento también se puede utilizar para acoplar el accesorio de metal largo al lado opuesto.

Aviso: Si las patas de goma incluidas ya se han acoplado a la unidad, retírelas.

1. Al acoplar cada accesorio de metal, coloque la lámina separadora incluida entre esta unidad y el accesorio de metal.

Utilice los tornillos de fijación (4 unidades) incluidos con el accesorio de montaje para fijar un accesorio de metal a cada lado de esta unidad.

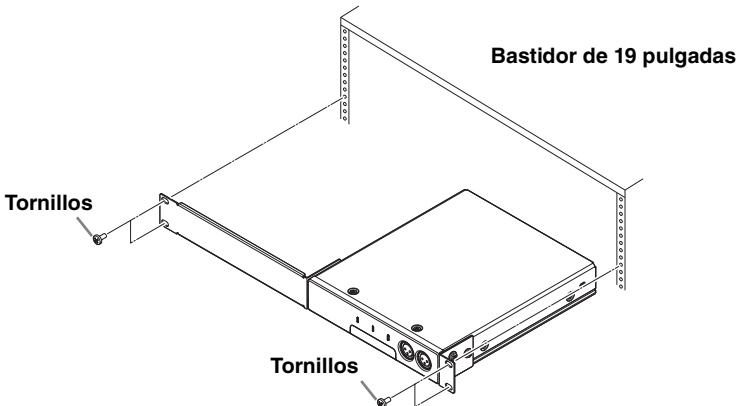


Advertencia: Utilice solo los tornillos especificados incluidos con el accesorio de montaje.

Si la unidad se cae, se pueden producir lesiones o daños. También se podría producir una descarga eléctrica o fallos de funcionamiento.

2. Acople los accesorios de metal al bastidor de 19 pulgadas.

Acople los accesorios de metal al bastidor de 19 pulgadas usando los cuatro tornillos de fijación incluidos del bastidor. Asegúrese de apretar los tornillos para que no se aflojen.



INSTALACIÓN EN UNA MESA

Utilice el accesorio de montaje para RM-MTL (se vende por separado) para instalar la unidad. Busque cuatro tornillos de aproximadamente 5 mm de diámetro (equivalentes a M5) que sean apropiados para el material y el grosor de la mesa.

Realice la instalación hasta el paso 4.



Advertencia: No acople este producto a ninguna otra superficie salvo a la parte inferior de una mesa.

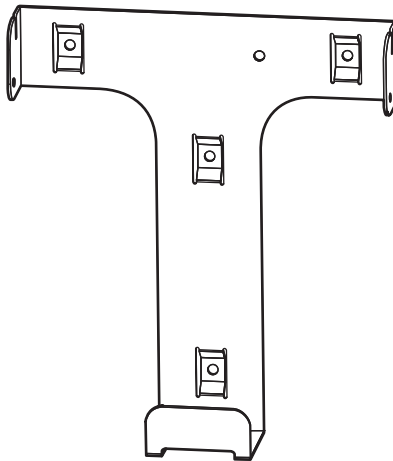
Si la unidad se cae, se pueden producir lesiones o daños.

Atención: Un instalador cualificado debe encargarse de realizar la instalación. Durante la instalación, preste atención a los siguientes puntos.



- Elija materiales y una ubicación con capacidad de sobra para soportar el peso de esta unidad.
- Evite los lugares sometidos a vibraciones constantes.
- Debe utilizar el accesorio de instalación especificado.
- Realice comprobaciones periódicas de mantenimiento.

1. Con cuatro tornillos de aproximadamente 5 mm de diámetro disponibles en el mercado, fije el accesorio de metal a la parte inferior de la mesa.



En la ilustración anterior, la parte superior está orientada hacia el frente.

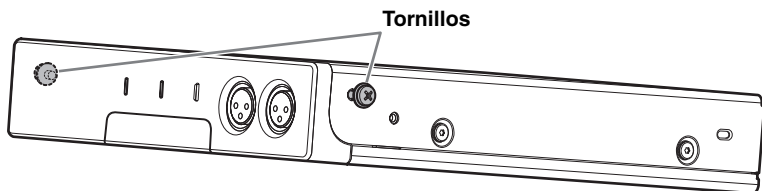


Advertencia: Debe utilizar tornillos que sean apropiados para el material de la mesa.

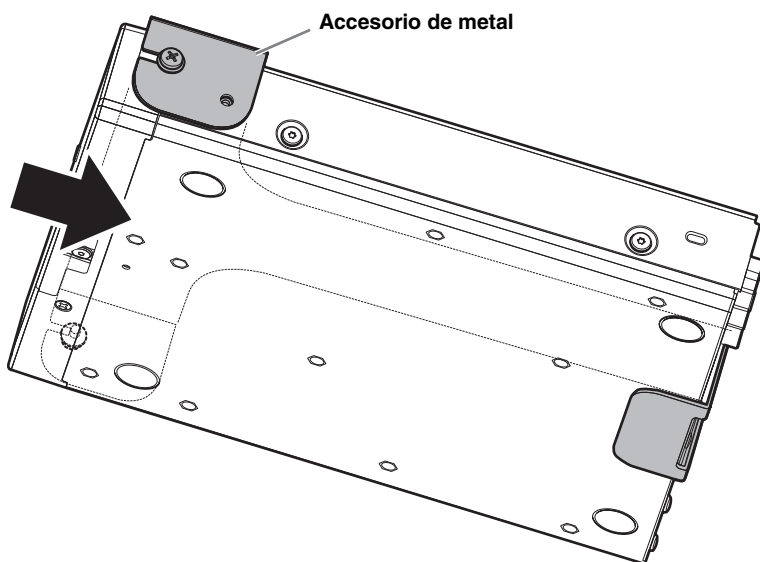
Si la unidad se cae, se pueden producir lesiones o daños.

2. Instale provisionalmente los dos tornillos incluidos en los orificios delanteros de acoplamiento del accesorio de montaje de este producto.

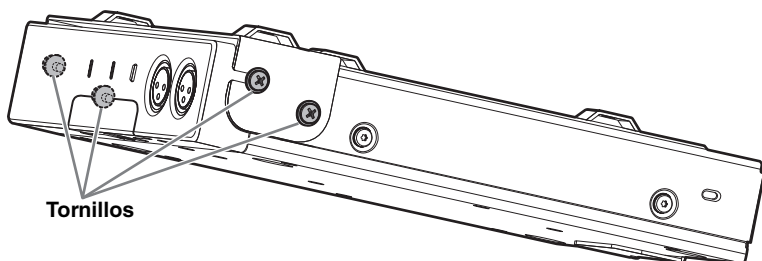
Al hacerlo, deje un hueco de aproximadamente 2 mm entre el lateral de la unidad y la cabeza del tornillo, de modo que los tornillos puedan enganchar el accesorio de metal.



3. Deslice la unidad de modo que los tornillos instalados provisionalmente en el paso 2 encajen en las ranuras del accesorio de metal fijado debajo de la mesa.



4. Apriete los cuatro tornillos en los orificios de acoplamiento del accesorio de montaje.



ESPECIFICACIONES PRINCIPALES

Especificaciones generales

Dimensiones	An. 215 mm × Pr. 264 mm × Al. 44 mm	
Peso	1,6 kg	
Alimentación	PoE+ (IEEE802.3at, LLDP), 48 V CC	
Consumo de potencia máximo	15,0 W	
Temperatura	Funcionamiento	0 °C – 40 °C
	Almacenamiento	-20 °C – 60 °C
Humedad	Funcionamiento	30% – 90 % (sin condensación)
	Almacenamiento	20% – 90 % (sin condensación)
Indicadores	<ul style="list-style-type: none">• Alimentación• Estado• Bluetooth• Indicador de puerto de red (×3)	
Elementos incluidos	Manual de instalación (este documento), panel de acceso (con tornillo), cable USB (tipo A-B), cable USB (tipo A-micro B), patas (de goma) (4 unidades)	
Elementos que se venden por separado	Accesorio de montaje: RM-MTL Accesorio de montaje: RM-MRK	

Especificaciones de audio

Respuesta de frecuencia		20 Hz – 20 kHz	
Velocidad de muestre		48 kHz	
Profundidad de bits		24 bits	
Latencia		8 [ms] (entrada de Dante a salida de USB, incluido el procesamiento de señales)	
Interfaz de audio	Dante	16 de entrada × 16 de salida	
	USB	USB 2.0 tipo B, clase de audio 1.0 Entrada: 2ch. Salida: 2ch a 48 kHz	
	Entrada de micrófono	XLR balanceada, 2ch de entrada	
	AUX	RCA no balanceada (nivel de línea) Entrada: 2ch. Salida: 2ch	
	Salida de altavoces	RCA no balanceada (nivel de línea) Salida: 2ch	
	Bluetooth	Versión 4.2 Protocolos compatibles: HFP (1.6), A2DP, AVRCP (1.6) Códex compatibles: CVSD, SBC, mSBC Salida inalámbrica: Clase 2 Distancia máxima de comunicación: 10 metros (sin obstrucciones) Frecuencias inalámbricas (frecuencias de funcionamiento): 2.402 – 2.480 MHz Potencia de salida máxima (EIRP): 4,0 dBm (2,5 mW)	
	SIP	Gestión de llamadas	Marcar, responder, retener, reanudar, reenviar, no molestar, identificador de llamada, notificaciones de correo de voz (conmutador configurado)
		Enlace de llamadas	Compatible con enlace de llamadas SIP, USB, BT y AUX. Unir, dividir, retener, reanudar, 5+1 líneas: Hasta 2 llamadas SIP, 1 llamada USB, 1 llamada Bluetooth, 1 AUX, más el usuario
		Códex	G.711, G.722HD, G.729ab, G.726
		Compatible con DTMF	Evento de RTP, SIP en banda, paquete de información de SIP
Seguridad		Compatible con SRTP (RFC 1889), compatible con IETF SIP (RFC 3261 y RFC complementarios)	

Especificaciones de red

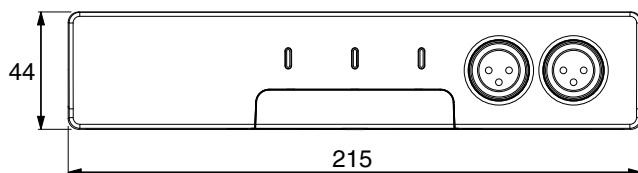
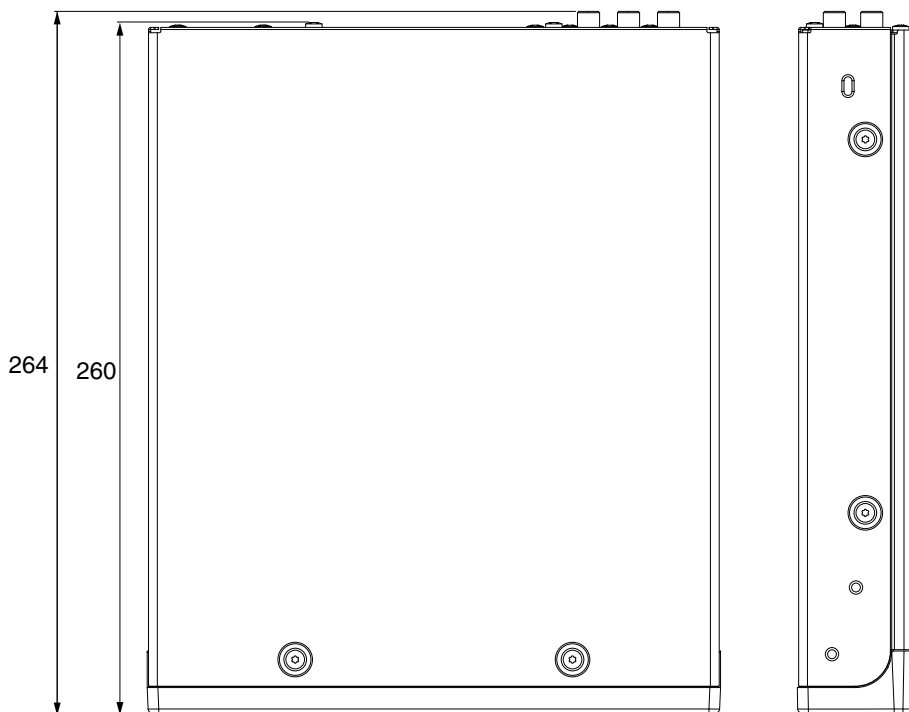
Puerto [Dante/PoE]	Audio Dante/Control Dante, control remoto, interfaz de usuario web, compatible con PoE+ Requisitos de cable: CAT5e o superior, STP
Puertos de red	Red corporativa, control remoto, SIP, interfaz de usuario web Requisitos de cable: CAT5e o superior, STP
Puerto [SETUP]	USB 2.0 micro, clase de red, interfaz de usuario web, IP fija Requisitos de cable: Cable USB (tipo A-micro B)

Características de entrada/salida

Terminal de entrada	Impedancia de carga real	Para uso con valor nominal	Nivel de entrada		Conector
			Nominal	Máx. antes de clip	
MIC IN 1, 2	2,2 k Ω	50 – 600 Ω	-46 dBu	-26 dBu	XLR-3-31 (balanceada)
AUX IN L, R	20 k Ω	1 k Ω	-14 dBV	+6 dBV	CLAVIJA RCA

Terminal de salida	Impedancia de fuente real	Para uso con valor nominal	Nivel de salida		Conector
			Nominal	Máx. antes de clip	
AUX OUT L, R	1 k Ω	10 k Ω	-14 dBV	+6 dBV	CLAVIJA RCA
SP OUT L, R	1 k Ω	10 k Ω	-14 dBV	+6 dBV	CLAVIJA RCA

Diagrama de dimensiones



Unidad: mm

CONTEÚDO

PRECAUÇÕES	84
AVISO	86
INFORMAÇÃO	87
INTRODUÇÃO	89
Itens inclusos	89
Itens vendidos separadamente	89
Estrutura manual.....	89
CONTROLES E CONECTORES	90
Painel frontal	90
Painel traseiro	92
Painel lateral	93
Painel inferior	94
INSTALAÇÃO EM RACK	95
INSTALAÇÃO EM UMA MESA	97
PRINCIPAIS ESPECIFICAÇÕES	99
Diagrama dimensional	102

O número de modelo, número de série, requisitos de energia, etc. podem ser encontrados na placa de nome, que está na parte inferior da unidade. Anote-o no espaço reservado abaixo e guarde este manual como registro de compra permanente para auxiliar na identificação do produto em caso de roubo.

N° do modelo

N° de série

(bottom_pt_01)

PRECAUÇÕES

LEIA ATENTAMENTE ANTES DE PROSSEGUIR

Por favor guarde este manual em um lugar seguro para futuras consultas.

A Yamaha não se responsabiliza por danos causados pelo uso inadequado ou por modificações no produto ou por dados perdidos ou destruídos.



ADVERTÊNCIA

Sempre siga as precauções básicas listadas abaixo para evitar a possibilidade de ferimentos graves ou até a morte por choque elétrico, curto-circuito, danos, incêndio ou outros perigos. Essas precauções incluem, entre outras, o seguinte:

Advertência relativa a fogo

- Não coloque itens em chamas ou chamas próximas ao produto, pois podem causar incêndio.

Perda da audição

- Antes de ligar ou desligar a energia de todos os dispositivos, verifique se todos os níveis de volume estão definidos no mínimo. Deixar de fazer isso pode resultar na perda da audição, choque elétrico ou danos nos dispositivos.
- Ao ligar a energia CA do seu sistema de áudio, sempre ligue o amplificador de potência LAST, para evitar perda de audição e danos aos alto-falantes. Ao desligar, o amplificador de potência deve ser desligado PRIMEIRO pela mesma razão.

Unidade sem fio

- Não use este produto perto de dispositivos médicos ou dentro de instalações médicas. As ondas de rádio deste produto podem afetar dispositivos eletromédicos.
- Não use este produto a até 15 cm de pessoas com implante de marcapasso cardíaco ou desfibrilador. As ondas de rádio deste produto podem afetar dispositivos eletromédicos, como implantes de marcapasso cardíaco ou desfibrilador.



CUIDADO

Sempre siga as precauções básicas listadas abaixo para evitar a possibilidade de lesões físicas a você ou a outras pessoas. Essas precauções incluem, entre outras, o seguinte:

Se você perceber alguma anormalidade

- Se algum dos seguintes problemas ocorrer, desligue imediatamente o injetor PoE ou o computador de rede PoE e desconecte o cabo.
 - O cabo da LAN está danificado.
 - Cheiros incomuns ou fumaça são emitidos.
 - Algum objeto ou água foi jogada no produto.
 - Há uma perda repentina de som durante o uso do produto.
 - Rachaduras ou outros danos visíveis aparecem no produto.Depois, inspecione ou conserte o produto por pessoal qualificado da Yamaha.

Localização e conexão

- Ao conectar este produto a um injetor PoE ou um comutador de rede PoE, use um cabo LAN CAT5e ou superior, que suporte a tensão máxima de fornecimento de energia (57 V) do padrão IEEE 802.3at. Se você conectar um cabo que não esteja em conformidade com as especificações ou conectar um cabo plano ou fino, poderá ocorrer incêndio ou mau funcionamento.
- Não danifique o cabo LAN. A inobservância desta precaução pode resultar em incêndio, choque elétrico ou danos ao produto.
 - Não coloque objetos pesados sobre o cabo.
 - Não processe o cabo de forma alguma.
 - Não use grampos para fixar o cabo no lugar.
 - Não aplique uma força excessiva no cabo.
 - Mantenha o cabo longe de qualquer coisa quente.
- Não coloque o produto em uma posição instável ou em um local com vibração excessiva, onde ele pode cair acidentalmente e causar ferimentos.
- Mantenha este produto fora do alcance das crianças. Este produto não é adequado para uso em locais onde é provável que crianças estejam presentes.
- Não bloqueie os respiradouros. Este produto possui orifícios de ventilação na parte traseira / nas laterais para evitar que a temperatura interna fique muito alta. Em particular, não coloque o produto de lado ou de cabeça para baixo. A ventilação inadequada pode resultar em superaquecimento, possivelmente causando danos ao (s) produto (s) ou até incêndio.
- Ao instalar o produto:
 - Não a cubra com nenhum pano.
 - Não o instale em um tapete ou cobertor.
 - Certifique-se de que a superfície superior esteja virada para cima; não instale de lado ou de cabeça para baixo.
 - Não use o produto em um local confinado e com pouca ventilação.

A ventilação inadequada pode resultar em superaquecimento, possivelmente causando danos ao (s) produto (s) ou até incêndio.
- Se o produto estiver montado em um rack padrão EIA, leia atentamente a seção "Leia antes de montar a unidade em um rack" na página 95. A ventilação inadequada pode resultar em superaquecimento, possivelmente causando danos ao (s) produto (s), mau funcionamento ou até incêndio.
- Não coloque o produto em um local em que possa entrar em contato com gases corrosivos ou ar salgado. Fazer isso pode causar maus funcionamentos.
- Antes de mover o produto, remova todos os cabos conectados.
- Não direcione os cabos para onde alguém possa tropeçar neles, como em um local onde as pessoas passam. Tropeçar em um cabo pode fazer com que uma pessoa ou este produto caia, resultando em ferimentos pessoais ou danos ao produto.
- Não use o acessório de montagem RM-MTL vendido separadamente para conectar a unidade a um teto ou parede com mais de 2 metros. Se a unidade cair, poderá ocorrer ferimentos ou danos.
- Sempre consulte o pessoal de serviço Yamaha qualificado se a instalação do produto exigir obras. A instalação inadequada pode causar acidentes, ferimentos, danos ou mau funcionamento deste produto.

Não abra

- Este produto não contém peças que possam ser reparadas pelo usuário. Não tente desmontar as peças internas ou modificá-las de qualquer forma.

Advertência relativa a água

- Não exponha o produto à chuva, use-o próximo à água ou em condições úmidas ou molhadas, nem coloque sobre ele recipientes (como vasos, garrafas ou copos) que contenham líquidos que possam derramar em qualquer abertura.
- Nunca insira ou remova um cabo com as mãos molhadas.

Cuidado relativo ao manuseio

- Não insira os dedos ou as mãos em nenhum espaço ou abertura do produto (respiradouros, etc.).
- Não descanse seu peso sobre o produto nem coloque objetos pesados sobre ele.

Bateria de reserva

- Não substitua a bateria de backup sozinho. Fazer isso pode causar uma explosão e / ou danos ao (s) produto (s).

AVISO

Manuseio e manutenção

- Não conecte este produto ao Wi-Fi público e / ou à Internet diretamente. Somente conecte este produto à Internet através de um roteador com fortes proteções de senha. Consulte o fabricante do roteador para obter informações sobre práticas recomendadas de segurança.
- Não use o produto próximo a uma TV, rádio ou outros produtos elétricos. Caso contrário, o produto, a TV ou o rádio podem gerar ruído.
- Não exponha o produto a excesso de poeira ou vibração, frio ou calor extremo, a fim de evitar a possibilidade de desfiguração do painel, operação instável ou danos aos componentes internos.
- Não instale em locais onde as mudanças de temperatura são severas. Caso contrário, poderá ocorrer condensação no interior ou na superfície do produto, causando a sua ruptura.
- Se houver motivos para acreditar que possa ter ocorrido condensação, deixe o produto por várias horas sem ligar a energia até que a condensação seque completamente, a fim de evitar possíveis danos.
- Não coloque objetos de vinil, plástico ou borracha sobre o produto, pois isso pode causar alterações ou descoloração do painel.
- Ao limpar o produto, use um pano seco e macio. Não use diluentes, solventes, líquidos de limpeza ou panos impregnados com produtos químicos, pois isso pode causar alterações ou descoloração.
- Os pés de borracha incluídos nesta embalagem podem ser conectados ao produto para evitar derrapagens quando forem utilizados em uma superfície escorregadia.

INFORMAÇÃO

Sobre funções / dados fornecidos com o produto

- Este é um produto de classe A. A operação deste produto em um ambiente residencial pode causar interferência de rádio.
- Consulte o site abaixo para obter os termos de licença do software de código aberto usado neste produto.
<https://download.yamaha.com/>
- Este produto usa Dante Broadway.
Consulte o site do Audinate (inglês) para obter detalhes sobre as licenças de código aberto para o software específico.
<https://www.audinate.com/software-licensing>
- Os conectores do tipo XLR são conectados da seguinte forma (padrão IEC60268):
pino 1: terra, pino 2: quente (+) e pino 3: frio (-).



A marca e os logotipos Bluetooth® são marcas registradas de propriedade da Bluetooth SIG, Inc. e qualquer uso dessas marcas pela Yamaha Corporation está sob licença.

03822-18-08759





Este equipamento não tem direito à proteção contra interferência prejudicial e não pode causar interferência em sistemas devidamente autorizados.

Para consultas, visite: www.anatel.gov.br

Sobre este manual

- Este manual de instalação utiliza as seguintes palavras de sinalização para obter informações importantes:

 ADVERTÊNCIAS	Este conteúdo indica “risco de ferimentos graves ou morte”.
 CUIDADO	Este conteúdo indica “risco de ferimentos”.
AVISO	Indica o conteúdo que você deve observar para impedir que o produto funcione incorretamente, seja danificado ou funcione incorretamente e para evitar a perda de dados.
IMPORTANTE	Indica o conteúdo que você deve conhecer para operar e usar o produto corretamente.
OBSERVAÇÃO	Indica informações relacionadas à operação e uso. Leia isto para sua referência.

- As ilustrações mostradas neste manual são apenas para fins instrucionais.
- Os nomes das empresas e dos produtos deste manual são as marcas comerciais ou as marcas comerciais registradas de suas respectivas empresas.
- O software pode ser revisado e atualizado sem aviso prévio.
- O conteúdo deste manual refere-se às últimas especificações na sua data de publicação. Para obter o manual mais recente, acesse o site da Yamaha e faça o download do arquivo do manual.

Sobre disposição

- Este produto contém componentes recicláveis. Ao descartar este produto, entre em contato com as autoridades locais apropriadas.

Informações para os utilizadores relativas à recolha e eliminação de equipamentos usados



Este símbolo, presente em produtos, embalagens e/ou incluído na documentação associada, indica que os produtos elétricos e eletrônicos usados não devem ser eliminados juntamente com os resíduos domésticos em geral.

O procedimento correto consiste no tratamento, recuperação e reciclagem de produtos usados, pelo que deve proceder à respetiva entrega nos pontos de recolha adequados, em conformidade com a legislação nacional em vigor.

A eliminação destes produtos de forma adequada permite poupar recursos valiosos e evitar potenciais efeitos prejudiciais para a saúde pública e para o ambiente, associados ao processamento incorreto dos resíduos.

Para mais informações relativas à recolha e reciclagem de produtos usados, contacte as autoridades locais, o serviço de eliminação de resíduos ou o ponto de venda onde foram adquiridos os itens relevantes.

Informações para utilizadores empresariais na União Europeia:

Para proceder à eliminação de equipamento elétrico e eletrónico, contacte o seu revendedor ou fornecedor para obter informações adicionais.

Informações relativas à eliminação em países não pertencentes à União Europeia:

Este símbolo é válido exclusivamente na União Europeia. Caso pretenda eliminar este tipo de itens, contacte as autoridades locais ou o seu revendedor e informe-se acerca do procedimento correto para proceder à respetiva eliminação.

INTRODUÇÃO

Obrigado por adquirir o processador de sinal RM-CR. Este produto é um processador de sinal que produz áudio agradável e de alta qualidade para conferências remotas realizadas em salas de escritórios de tamanho médio. Leia este manual antes de usar o produto. Guarde este manual em um local seguro para referência futura.

Itens inclusos

- Manual de instalação (este documento)
- Painel de acesso (com parafuso)
- Cabo USB (tipo A-B, 5 metros, para comunicação de voz)
- Cabo USB (tipo A-micro B, 1 metro, para configuração)
- Pés de borracha (4 unids.)

Itens vendidos separadamente

- **RM-MRK acessório de montagem**

Isso é necessário ao instalar o produto em um rack de 19 polegadas.

Para detalhes sobre como conectar o RM-MRK, consulte “INSTALAÇÃO EM RACK” (página. 95).

- **RM-MTL acessório de montagem**

Isso é necessário ao instalar o produto na parte inferior de uma mesa.

Para detalhes sobre como conectar o RM-MTL, consulte “INSTALAÇÃO EM UMA MESA” (página. 97).

Estrutura manual

Em relação a este produto, os seguintes materiais estão disponíveis além deste manual de instalação.

- **RM-CR Manual de Referência**

Isso explica as conexões entre este dispositivo e dispositivos externos e as configurações via interface da web.

Documentos relacionados podem ser baixados no site a seguir.

<https://download.yamaha.com/>

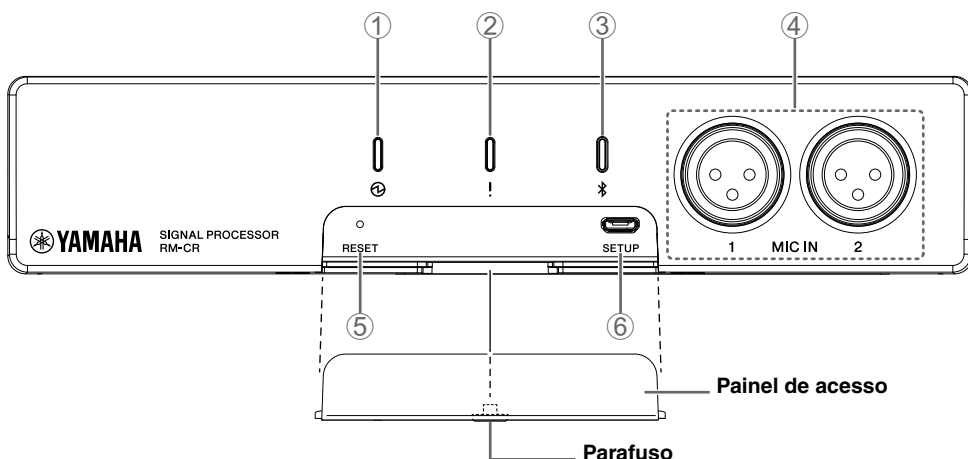
CONTROLES E CONECTORES

Painel frontal

A explicação aqui usa uma ilustração que descreve o estado em que o produto é enviado.

Depois de fazer as configurações, use o parafuso para prender o painel de acesso incluído, para que o botão [RESET] e a porta [SETUP] fiquem inacessíveis.

Para detalhes sobre cada indicador, consulte “RM-CR Manual de Referência.”



① (Energia) indicador

Este é o indicador da fonte de alimentação. Acende quando a energia está sendo fornecida corretamente à porta [Dante / PoE] do painel traseiro.

② (Status) indicador

Isso indica o status da unidade.

③ (Bluetooth) botão / indicador

Pressione para parear com um smartphone via Bluetooth.

Ao conectar-se a um smartphone, você pode trocar áudio com um local remoto.

④ [MIC IN] 1/2 tomadas

Estas são tomadas XLR (balanceadas) para conectar microfones dinâmicos. Não conecte microfones de condensador aqui.

⑤ [RESET] botão

Use um objeto pontiagudo, como um alfinete de ejeção, para pressionar este botão.

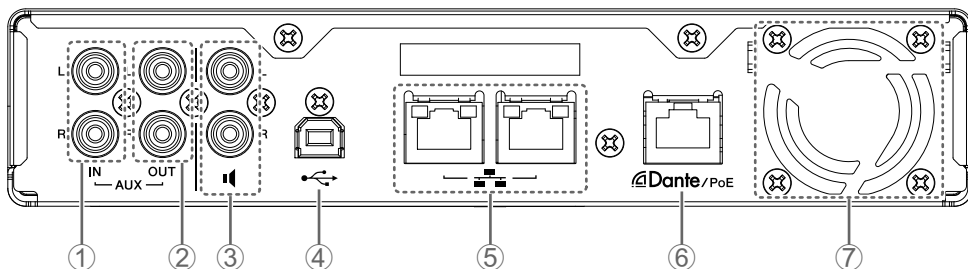
Pressão longa	Status indicador	Redefinir destino
4 segundos a menos de 8 segundos	Pisca duas vezes por segundo	Configurações relacionadas à rede
8 segundos a menos de 12 segundos	Pisca três vezes por segundo	Toda a configuração (reinicia automaticamente após a inicialização)

Manter este botão pressionado por menos de 4 segundos ou por 12 segundos ou mais não redefine nada.

⑥ [SETUP] porta

Essa porta é para conexão com um computador, para que as configurações possam ser feitas através de um navegador da web. Use o cabo USB incluído (tipo A-micro B) para esta conexão. Para detalhes sobre as configurações, consulte o “Manual de Referência do RM-CR”.

Painel traseiro



① Tomadas [AUX IN] L / R

Estas são tomadas RCA (não balanceadas) para entrada de áudio. Use essas tomadas se o áudio do local remoto for analógico.

② Tomadas [AUX OUT] L / R

Estas são tomadas RCA (não balanceadas) para saída de áudio. Use essas tomadas se o áudio para o local remoto for analógico.

③ Tomadas para alto-falante

Estas são tomadas RCA (não balanceadas) para saída de áudio. Use essas tomadas se o alto-falante ou amplificador de potência usado no local remoto não suportar Dante.

④ USB porta

Use esta porta ao conectar a um computador para trocar áudio com um local remoto. Use o cabo USB incluído (tipo A-B) para esta conexão.

⑤ Portas de rede

Essas são portas RJ-45 às quais você pode conectar cabos LAN (CAT5e ou superior) para administração e configurações remotas via rede da empresa, etc.

DHCP é especificado por padrão. Se você deseja usar um endereço IP específico, use a interface da Web da Web para especificar o endereço IP antes de conectar-se à rede da empresa. Para detalhes sobre as configurações, consulte o “Manual de Referência do RM-CR”.

Você também pode conectar-se a uma rede pública para trocar áudio com um local remoto através do protocolo SIP.

Aviso : O comprimento máximo do cabo utilizável é de 100 metros.

: Para evitar interferência eletromagnética, use cabos STP (par trançado blindado).

⑥ [Dante/PoE] porta

Essa é uma porta RJ-45 à qual você pode conectar um cabo LAN (CAT5e ou superior) por meio de um injetor PoE compatível com IEEE802.3at ou um comutador de rede PoE a uma unidade Dante como o RM-CG.

Aviso : Não conecte nenhum dispositivo aqui que não seja um dispositivo compatível com Dante ou um dispositivo (incluindo um computador) que suporte Ethernet gigabit.

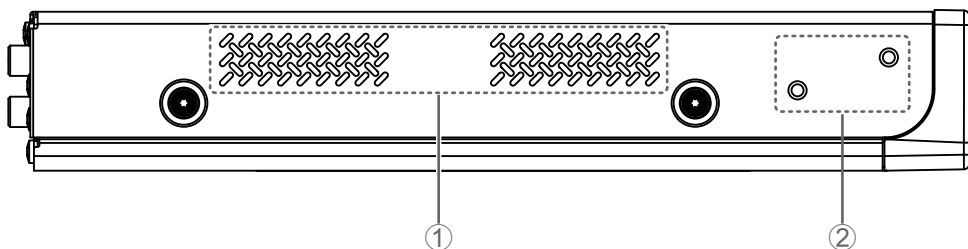
- O comprimento máximo do cabo utilizável é de 100 metros.
- Para evitar interferência eletromagnética, use um cabo STP (par trançado blindado).

⑦ Ventilação de exaustão

Este produto está equipado com um ventilador de refrigeração. O ar quente é expelido por esta abertura, portanto, tome cuidado para que a ventilação não seja bloqueada por qualquer obstrução.

Painel lateral

Esta explicação usa uma ilustração do lado esquerdo, como visto de frente.



① Entrada de ventilação

O ar de resfriamento é absorvido por essa ventilação, portanto, tome cuidado para que a ventilação não seja bloqueada por qualquer obstrução. Você também deve limpar essa abertura periodicamente. Se acumular poeira nessa ventilação, a temperatura dentro da unidade poderá subir, fazendo com que a unidade não funcione normalmente.

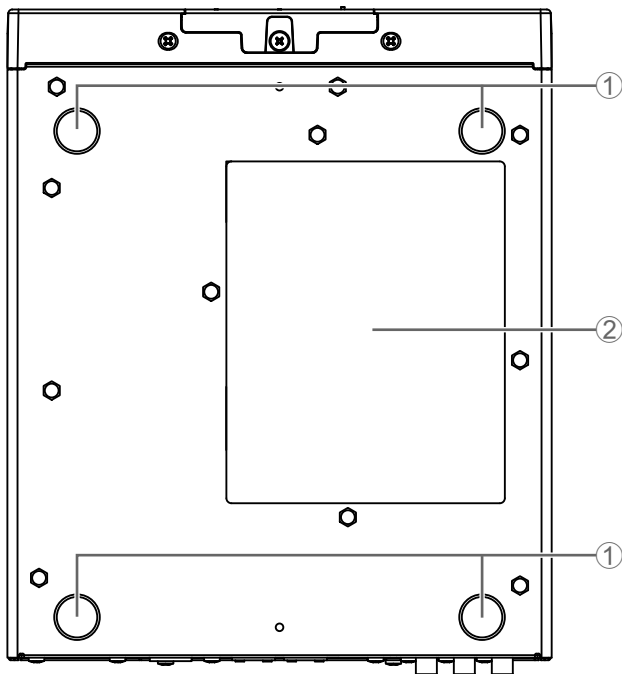
② Montagem dos orifícios de fixação dos acessórios

Use-os ao conectar o acessório de montagem RM-MRK ou RM-MTL.

Para detalhes sobre como conectar o RM-MRK, consulte o “INSTALAÇÃO EM RACK” (página. 95).

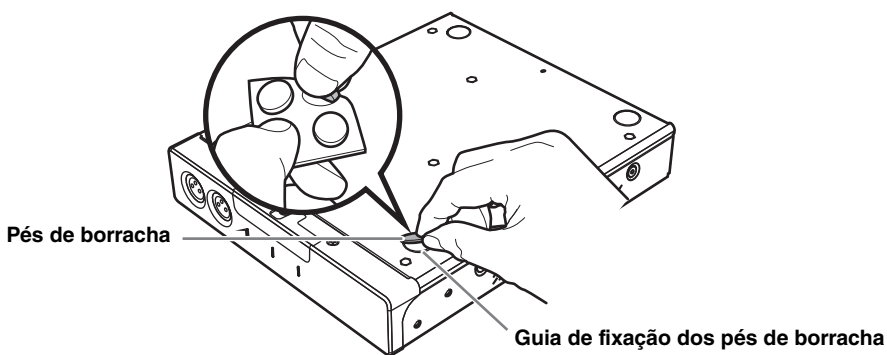
Para detalhes sobre como conectar o RM-MTL, consulte o “INSTALAÇÃO EM UMA MESA” (página. 97).

Painel inferior



① Guias de fixação do pé de borracha

Esses são os locais em que os pés de borracha incluídos são anexados. Prenda os pés de borracha incluídos, conforme mostrado na ilustração.



② Rótulo do produto

Isso mostra o nome do modelo, número de série e endereço MAC desta unidade.

INSTALAÇÃO EM RACK

Use o acessório de montagem RM-MRK vendido separadamente para instalar a unidade.

Leia antes de montar a unidade em um rack

É garantido que este produto funcione em uma faixa de temperatura de 0 a 40 ° C. Se este produto estiver montado em um rack junto com outros dispositivos, pode haver casos em que o calor dos vários dispositivos faça com que a temperatura dentro do rack suba, de modo que o produto não possa funcionar satisfatoriamente. Para evitar que a temperatura dentro da unidade suba, monte a unidade no rack de acordo com os requisitos abaixo.

- Se este produto for montado junto com dispositivos propensos a produzir calor, como amplificadores de potência, deixe pelo menos 1U de espaço entre ele e outros dispositivos. Além disso, certifique-se de manter ventilação suficiente neste espaço, instalando um painel de ventilação ou deixando-o aberto.
- Deixe o painel traseiro do rack aberto e verifique se o rack está a pelo menos 10 cm de distância da parede ou do teto para permitir circulação de ar suficiente. Se você não conseguir abrir o painel traseiro do rack, instale um dispositivo de ventilação forçada disponível no mercado, como um kit de ventilador. Se você instalar um kit de ventilador, fechar o painel traseiro pode funcionar melhor para fins de dissipação de calor. Para obter mais informações, consulte o manual do proprietário do rack e / ou kit de ventiladores.

Cuidado: Se você planeja realocar o rack, remova esta unidade primeiro do rack.



Se este produto for movido enquanto estiver montado em um rack, vibrações etc. podem causar a deformação ou quebra do acessório de montagem, possivelmente causando ferimentos. Também existe a possibilidade de que esta unidade possa funcionar mal.

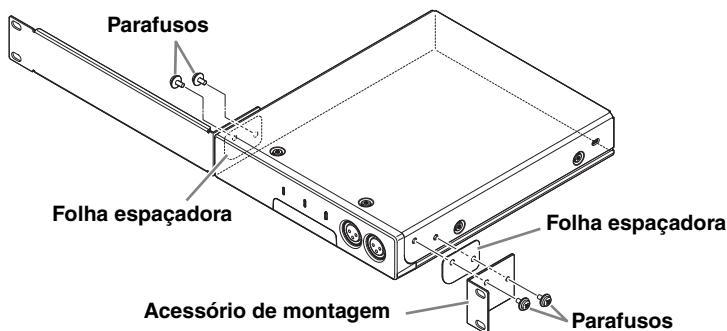
[Instalação]

O exemplo mostrado aqui é para quando o acessório de metal longo estiver preso ao lado esquerdo, como visto de frente. O procedimento também pode ser usado ao conectar o acessório de metal longo ao lado oposto.

Aviso: Se os pés de borracha incluídos já estiverem conectados à unidade, remova-os.

1. Ao conectar cada acessório de metal, coloque a folha espaçadora incluída entre esta unidade e o acessório de metal.

Usando os parafusos de fixação (4 peças) incluídos no acessório de montagem, prenda um acessório de metal em cada lado desta unidade.

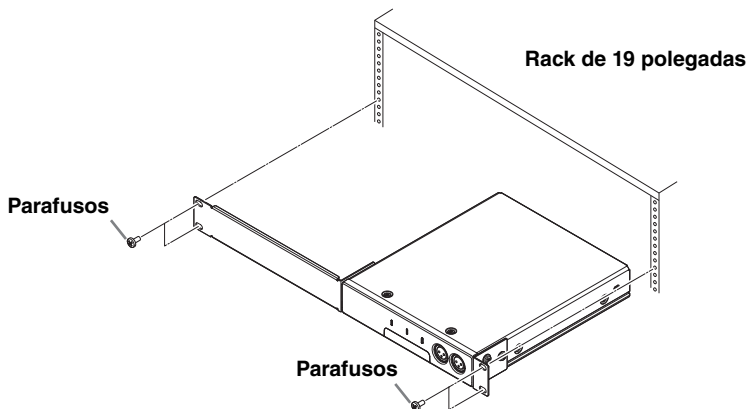


Advertência: Use apenas os parafusos especificados incluídos no acessório de montagem.

Se a unidade cair, poderá ocorrer ferimentos ou danos. Isso também pode causar choque elétrico ou mau funcionamento.

2. Anexe os acessórios de metal ao rack de 19 polegadas.

Conecte os acessórios de metal ao rack de 19 polegadas usando os quatro parafusos de fixação incluídos no rack. Certifique-se de apertar os parafusos para que não fiquem soltos.



INSTALAÇÃO EM UMA MESA

Use o acessório de montagem RM-MTL vendido separadamente para instalar a unidade. Obtenha quatro parafusos com um diâmetro de aproximadamente 5 mm (equivalente a M5) adequados ao material e espessura da mesa.

Execute a instalação através da etapa 4.



Advertência: Não conecte este produto a nada que não seja a parte inferior da área de trabalho.

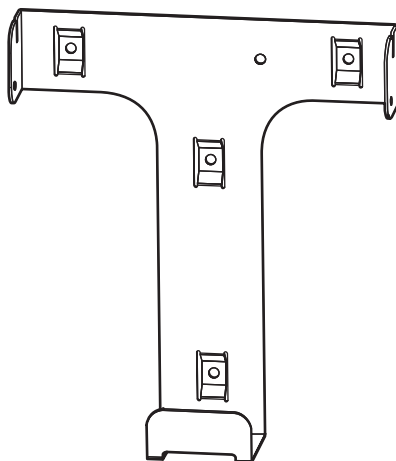
Se a unidade cair, poderá ocorrer ferimentos ou danos.

Cuidado: A instalação deve ser realizada por um instalador qualificado. Durante a instalação, preste atenção aos seguintes pontos.



- Escolha o hardware e um local que seja capaz de suportar o peso desta unidade
- Evite locais sujeitos a vibrações prolongadas
- Você deve usar o acessório de instalação especificado
- Realizar verificações periódicas de manutenção

1. Usando quatro parafusos disponíveis no mercado, com aproximadamente 5 mm de diâmetro, aperte o suporte de metal na parte inferior da mesa.



Na ilustração acima, a parte superior está voltada para a frente.

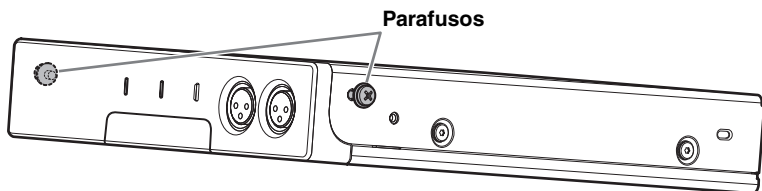


Advertência: Você deve usar parafusos adequados ao material da área de trabalho.

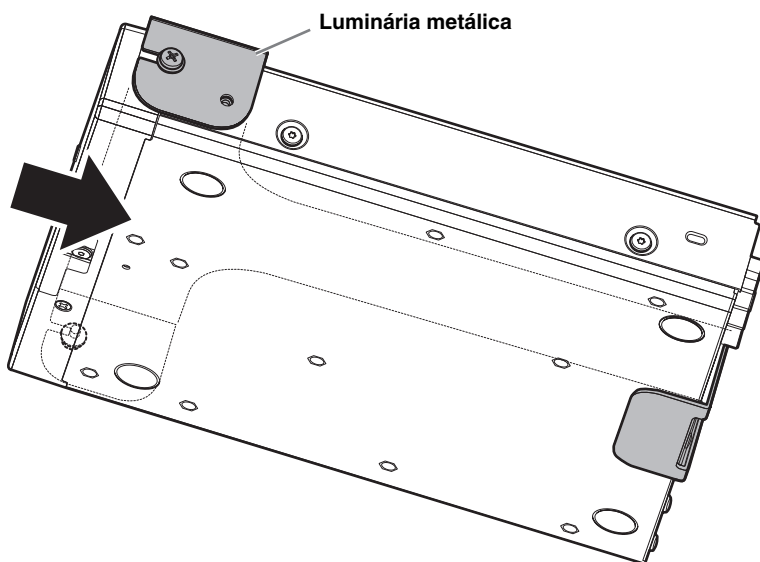
Se a unidade cair, poderá ocorrer ferimentos ou danos.

2. Instale provisoriamente os dois parafusos incluídos nos orifícios dianteiros dos orifícios de fixação para acessórios de montagem deste produto.

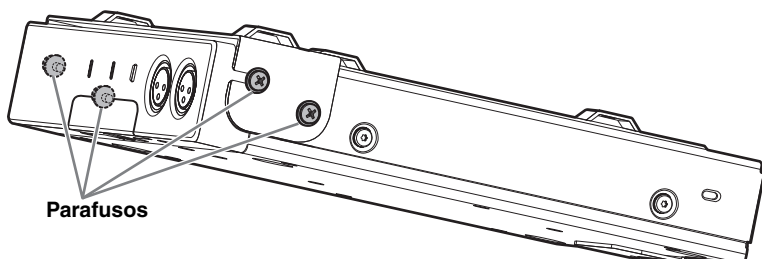
Ao fazer isso, deixe um espaço de aproximadamente 2 mm entre a lateral da unidade e a cabeça do parafuso, para que os parafusos possam engatar no suporte de metal.



3. Deslize a unidade para que os parafusos que você instalou provisoriamente na etapa 2 encaixem nos slots do acessório de metal preso sob a mesa.



4. Aperte os quatro parafusos nos orifícios de fixação do acessório de montagem.



PRINCIPAIS ESPECIFICAÇÕES

Especificações Gerais

Dimensões	W215 mm × D264 mm × H44 mm	
Peso	1,6 kg	
Alimentação	PoE+ (IEEE802.3at, LLDP), 48 VCC	
Consumo máximo de energia	15,0 W	
Temperatura	Operando	0 °C – 40 °C
	Armazenamento	-20 °C – 60 °C
Umidade	Operando	30% – 90% (sem condensação)
	Armazenamento	20% – 90% (sem condensação)
Indicadores	<ul style="list-style-type: none">• Energia• Estado• Bluetooth• Indicador de porta de rede (× 3)	
Itens inclusos	Manual de instalação (este documento), painel de acesso (com parafuso), USB cabo (A-B tipo), USB cabo (A-micro B tipo), pernas (pés de borracha) (4 unids.)	
Itens vendidos separadamente	Acessório de montagem: RM-MTL Acessório de montagem: RM-MRK	

Especificações do áudio

Resposta de frequência		20 Hz – 20 kHz	
Taxa de amostragem		48 kHz	
Profundidade de bits		24 bits	
Latência		8 [ms] (entrada Dante para saída USB, incluindo processamento de sinal)	
Interface de áudio	Dante	16 pol. × 16 pol.	
	USB	USB2.0 tipo B, classe de áudio 1.0 Entrada: 2 canais, Saída: 2 canais a 48 kHz	
	Entrada de microfone	XLR balanceado, Entrada 2 canais	
	AUX	RCA desequilibrado (nível de linha), Entrada: 2 canais, Saída: 2 canais	
	Saída do alto-falante	RCA desequilibrado (nível de linha), Saída: 2 canais	
	Bluetooth	Versão 4.2 Protocolos suportados: HFP (1.6), A2DP, AVRCP (1.6) Codecs suportados: CVSD, SBC, mSBC Saída sem fio: Classe 2 Distância máxima de comunicação: 10 metros (sem obstruções) Frequências sem fio (frequências de operação): 2.402 – 2.480 MHz Potência máxima de saída (EIRP): 4,0 dBm (2,5 mW)	
	SIP	Tratamento de chamadas	Discar, atender, reter, retomar, encaminhamento, não perturbe, identificação de chamada, notificações de correio de voz (opção configurada)
		Ponte de chamada	Suporta Bridging SIP, USB, BT e chamadas AUX. Unir, Dividir, Manter, Continuar, 5 + 1 linhas: Até 2 chamadas SIP, 1 chamada USB, 1 chamada Bluetooth, 1 AUX, mais o usuário
		Codecs	G.711, G.722HD, G.729ab, G.726
		DTMF Suporte	Evento RTP, SIP in-band, pacote de informações SIP
Segurança		Suporte SRTP (RFC 1889), suporte IETF SIP (RFC 3261 e RFCs complementares)	

Especificações de rede

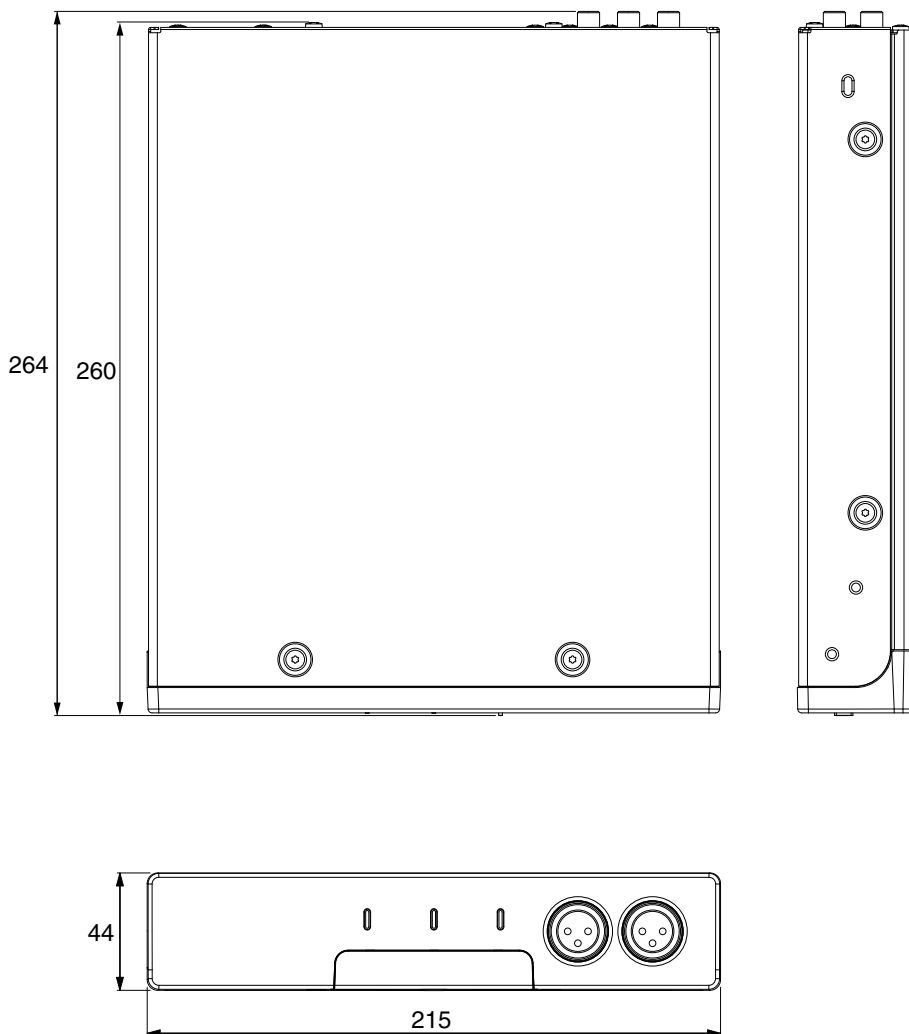
[Dante/PoE] porta	Dante Áudio / Dante Controle, controle remoto, WebUI, PoE+ suportado Requisitos de cabo: CAT5e ou superior, STP
Portas de rede	Rede corporativa, controle remoto, SIP, WebUI Requisitos de cabo: CAT5e ou superior, STP
[SETUP] porta	USB2.0 micro, classe de rede, WebUI, IP fixo Requisitos de cabo: USB cabo (A-micro B tipo)

Características de entrada / saída

Terminal de entrada	Impedância de carga real	Para uso com Nominal	Nível de entrada		Conector
			Nominal	Máx. Antes do clipe	
MIC IN 1, 2	2,2 kΩ	50 – 600 Ω	-46 dBu	-26 dBu	XLR-3-31 (equilibrado)
AUX IN L, R	20 kΩ	1 kΩ	-14 dBV	+6 dBV	PIN RCA

Terminal de saída	Impedância da fonte real	Para uso com Nominal	Nível de saída		Conector
			Nominal	Máx. Antes do clipe	
AUX OUT L, R	1 kΩ	10 kΩ	-14 dBV	+6 dBV	PIN RCA
SP OUT L, R	1 kΩ	10 kΩ	-14 dBV	+6 dBV	PIN RCA

Diagrama dimensional



Unidade: mm

INDICE

PRECAUZIONI	104
AVVISO	106
INFORMAZIONI	107
INTRODUZIONE	109
Elementi inclusi.....	109
Elementi venduti separatamente.....	109
Struttura del manuale.....	109
CONTROLLI E CONNETTORI.....	110
Pannello anteriore.....	110
Pannello posteriore.....	112
Pannello laterale.....	113
Pannello inferiore.....	114
INSTALLAZIONE IN RACK.....	115
INSTALLAZIONE SU UNA SCRIVANIA.....	117
SPECIFICHE PRINCIPALI	119
Diagramma dimensioni.....	122

I numeri di modello e quello di serie, i requisiti di alimentazione e altre informazioni del prodotto si trovano sulla piastrina o vicino alla stessa. La piastrina del prodotto si trova nella parte inferiore dell'unità. Annotare il numero di serie nello spazio indicato di seguito e conservare il manuale come documento di comprovazione dell'acquisto; in tal modo, in caso di furto, l'identificazione sarà più semplice.

Numero del modello

Serial No.

(bottom_it_01)

PRECAUZIONI

LEGGERE ATTENTAMENTE PRIMA DI PROCEDERE

Conservare il presente manuale in un luogo sicuro per consultazioni future.

Yamaha declina qualsiasi responsabilità per lesioni personali o danni derivanti da un utilizzo non corretto o dalle modifiche apportate al prodotto, o dati persi o distrutti.



AVVERTENZA

Osservare sempre le seguenti precauzioni di base per evitare la possibilità di lesioni gravi o perfino morte per scossa elettrica, cortocircuito, danni, incendio o altri per altri pericoli. Queste precauzioni includono, a titolo esemplificativo ma non esaustivo:

Esposizione al fuoco

- Non posizionare oggetti accesi o fiamme vive in prossimità del prodotto per evitare il rischio di incendio.

Danni all'udito

- Prima di accendere o spegnere tutti i dispositivi, impostare al minimo tutti i livelli di volume. La mancata osservanza di queste precauzioni potrebbe provocare scosse elettriche, danni all'udito o alle apparecchiature.
- Quando si accende il sistema audio, accendere sempre l'amplificatore di potenza PER ULTIMO, per evitare danni all'udito e ai diffusori. Quando si spegne il sistema audio, l'amplificatore di potenza deve essere spento PER PRIMO.

Unità wireless

- Non usare nelle vicinanze di dispositivi medicali o all'interno di strutture mediche. Le onde radio emesse dal prodotto possono interferire con i dispositivi elettromedicali.
- Non usare questo prodotto a meno di 15 cm da persone dotate di pacemaker cardiaco o defibrillatore. Le onde radio emesse dal prodotto possono interferire con dispositivi elettromedicali quali pacemaker o defibrillatore.



ATTENZIONE

Osservare sempre le seguenti precauzioni di base per evitare la possibilità di lesioni. Queste precauzioni includono, a titolo esemplificativo ma non esaustivo:

Anomalie

- Se si verifica uno dei seguenti problemi, spegnere immediatamente l'iniettore PoE o lo switch di rete PoE e scollegare il cavo.
 - Cavo LAN danneggiato.
 - Fumo od odori insoliti.
 - Nel prodotto è penetrata acqua o qualche oggetto.
 - Si verifica una scomparsa improvvisa del suono durante l'utilizzo.
 - Appaiono crepe o altri danni visibili appaiono sul prodotto.Fare quindi ispezionare o riparare il prodotto da personale di assistenza Yamaha qualificato.

Posizione e connessione

- Per collegare il prodotto a un iniettore PoE o switch di rete PoE, utilizzare un cavo LAN CAT5e o di categoria superiore che supporti la tensione massima (57 V) dello standard IEEE 802.3at. Collegando un cavo non conforme alle specifiche o un cavo di tipo piatto o sottile, si possono verificare incendi o malfunzionamenti.
- Non danneggiare il cavo LAN. La mancata osservanza di tale precauzione può causare incendi, scosse elettriche o danni al prodotto.
 - Non appoggiare oggetti pesanti sul cavo.
 - Non modificare il cavo in alcun modo.
 - Non utilizzare graffette per fissare il cavo in posizione.
 - Non esercitare forza eccessiva sul cavo.
 - Assicurarsi di tenere il cavo lontano da fonti di calore.
- Non collocare l'unità in posizione instabile o in un luogo soggetto a vibrazioni eccessive, per evitare che cada accidentalmente e che possa causare lesioni.
- Tenere il prodotto lontano dalla portata dei bambini. Questo prodotto non è adatto all'uso in luoghi con presenza di bambini.
- Non ostruire i fori di ventilazione. Il prodotto presenta alcuni fori di ventilazione sulla parte posteriore e sui lati per evitare l'aumento eccessivo della temperatura interna. In particolare, non posizionare il prodotto sul lato o sottosopra. Una ventilazione inadeguata può causare surriscaldamento con conseguenti possibili danni al prodotto e perfino incendi.
- Durante l'installazione del prodotto:
 - Non coprire l'unità con un panno.
 - Non installare l'unità su un tappeto o sulla moquette.
 - Accertarsi che la superficie superiore sia rivolta verso l'alto; non installare il dispositivo posizionandolo sui lati, né capovolgendolo.
 - Non utilizzare il prodotto in locali angusti e scarsamente ventilati.Una ventilazione inadeguata può causare surriscaldamento con conseguenti possibili danni al prodotto e perfino incendi.
- Se il prodotto è montato su un rack standard EIA, leggere attentamente la sezione "Leggere prima di montare l'unità in un rack" a pagina 115. Una ventilazione inadeguata può causare surriscaldamento con conseguenti possibili danni al prodotto, malfunzionamenti e perfino incendi.
- Non posizionare il prodotto in posizioni in cui potrebbe venire a contatto con gas corrosivi o salsedine. La mancata osservanza di tale precauzione potrebbe causare un malfunzionamento.
- Prima di spostare il prodotto, scollegare tutti i cavi.
- Non poggiare i cavi in luoghi in cui vi si possa inciampare, come ad esempio luoghi di passaggio. L'inciampo potrebbe causare la caduta della persona o del prodotto con conseguenti lesioni personali o danni al prodotto.
- Non utilizzare l'accessorio di montaggio RM-MTL (venduto separatamente) per fissare l'unità al soffitto o una parete più alta di 2 metri. La caduta dell'unità potrebbe causare lesioni o danni.
- Consultare sempre personale di assistenza Yamaha qualificato in caso l'installazione richieda opere edili. Un'installazione errata potrebbe causare incidenti, lesioni, danni o malfunzionamenti del prodotto.

Non aprire

- Questo prodotto non contiene parti manutenibili dall'utente. Non tentare di smontare o modificare le parti interne in alcun modo.

Esposizione all'acqua

- Non esporre il prodotto alla pioggia, non usarlo vicino all'acqua o in ambienti umidi o bagnati, non poggiarvi sopra contenitori (ad esempio, tazze, bicchieri o bottiglie) di liquidi che possano riversarsi in una delle aperture, né posizionarlo in luoghi soggetti a infiltrazioni.
- Non collegare o scollegare un cavo con le mani bagnate.

Precauzioni di utilizzo

- Non inserire le dita o le mani negli spazi liberi o nelle aperture del prodotto (fori di ventilazioni ecc.).
- Non appoggiare il proprio peso sul prodotto o poggiarvi sopra oggetti pesanti.

Batteria di riserva

- Non sostituire la batteria di riserva da soli per evitare di causare esplosioni e/o danni al prodotto o altri oggetti.

AVVISO

Manipolazione e manutenzione

- Non collegare il prodotto a una rete Wi-Fi pubblica e/o direttamente a Internet. Collegare il prodotto a Internet solamente tramite un router protetto da robusta password. Per informazioni sulle migliori prassi di sicurezza, rivolgersi al produttore del router.
- Non utilizzare il prodotto in prossimità di TV, radio o altri prodotti elettrici per evitare che questi possano produrre rumore.
- Non esporre il prodotto a livelli eccessivi di polvere o vibrazioni, o a caldo o freddo eccessivi, onde prevenire la possibilità di danneggiare il pannello, rendere instabile il funzionamento o danneggiare i componenti interni.
- Non installare in luoghi soggetti a notevoli sbalzi di temperatura per evitare che si formi condensa all'interno della superficie del prodotto danneggiandolo.
- Se si ritiene vi sia condensa, lasciare il prodotto spento per diverse ore fino a che la condensa non si sia completamente asciugata, in modo da prevenire possibili danni.
- Non collocare sul prodotto oggetti in vinile, plastica o gomma per evitare l'alterazione o lo scolorimento del pannello.
- Pulire il prodotto con un panno morbido e asciutto. Non utilizzare diluenti, solventi, detergenti liquidi o panni impregnati di sostanze chimiche poiché potrebbero causare alterazioni o scolorimenti.
- I piedini in gomma inclusi nella confezione possono essere fissati al prodotto per prevenire che scivoli su superfici scivolose.

INFORMAZIONI

Funzioni e dati inclusi nel prodotto



- Questo è un prodotto di Classe A. L'utilizzo del prodotto in ambienti domestici potrebbe causare interferenze radio.
- Consultare il seguente sito web per i termini di licenza del software open source utilizzato nel prodotto.
<https://download.yamaha.com/>
- Questo prodotto usa Dante Broadway.
Per dettagli sulle licenze open source per i vari software, consultare il sito web Audinate (in inglese).
<https://www.audinate.com/software-licensing>
- I collegamenti dei fili all'interno dei connettori di tipo XLR sono i seguenti (standard IEC60268):
pin 1: terra, pin 2: caldo (+) e pin 3: freddo (-).



Il marchio e i loghi Bluetooth® sono marchi depositati di proprietà di Bluetooth SIG, Inc. e qualunque utilizzo di tali marchi da parte di Yamaha Corporation avviene su licenza.

Informazioni sul manuale

- Il presente manuale di installazione utilizza i seguenti termini per le informazioni importanti:

 AVVERTENZA	Questo contenuto indica "rischio di lesioni gravi o di morte".
 ATTENZIONE	Questo contenuto indica "rischio di lesioni".
AVVISO	Indica contenuto da osservare per evitare il guasto del prodotto, danni o malfunzionamento e perdita di dati.
IMPORTANTE	Indica contenuto da conoscere per poter utilizzare il prodotto correttamente.
NOTA	Indica informazioni relative al funzionamento e all'uso. Leggere per consultazione.

- Le illustrazioni in questo manuale vengono fornite esclusivamente a scopo descrittivo.
- Le denominazioni sociali e i nomi dei prodotti riportati nel manuale sono marchi o marchi registrati delle rispettive società.
- Il software può essere modificato e aggiornato senza preavviso.
- I contenuti del presente manuale sono conformi alle specifiche più aggiornate a partire dalla data di pubblicazione. Per ottenere la versione più recente del manuale, visitare il sito web Yamaha e scaricare il file del manuale.

Smaltimento

- Questo prodotto contiene componenti riciclabili. Per lo smaltimento del prodotto, rivolgersi alle autorità locali competenti.

Informazioni per gli utenti sulla raccolta e lo smaltimento di vecchia attrezzatura



Questi simboli sui prodotti, sull'imballaggio e/o sui documenti che li accompagnano, indicano che i prodotti elettrici ed elettronici non devono essere mischiati con i rifiuti generici.

Per il trattamento, il recupero e il riciclaggio appropriato di vecchi prodotti, si prega di portarli ai punti di raccolta designati, in accordo con la legislazione locale.

Smaltendo correttamente questi prodotti si potranno recuperare risorse preziose, oltre a prevenire potenziali effetti negativi sulla salute e l'ambiente che potrebbero sorgere a causa del trattamento improprio dei rifiuti.

Per ulteriori informazioni sulla raccolta e il riciclaggio di vecchi prodotti, si prega di contattare l'amministrazione comunale locale, il servizio di smaltimento dei rifiuti o il punto vendita dove sono stati acquistati gli articoli.

Per utenti imprenditori dell'Unione europea:

Se si desidera scartare attrezzatura elettrica ed elettronica, si prega di contattare il proprio rivenditore o il proprio fornitore per ulteriori informazioni.

Informazioni sullo smaltimento negli altri Paesi al di fuori dell'Unione europea:

Questi simboli sono validi solamente nell'Unione Europea; se si desidera scartare questi articoli, si prega di contattare le autorità locali o il rivenditore e richiedere informazioni sulla corretta modalità di smaltimento.

INTRODUZIONE

Grazie per aver acquistato l'elaboratore di segnale RM-CR. Questo prodotto è un elaboratore di segnale che genera piacevole audio ad alta qualità per teleconferenze tenute in sale conferenze di medie dimensioni. Assicurarsi di leggere il manuale prima di utilizzare il prodotto. Conservare il manuale per future consultazioni.

Elementi inclusi

- Manuale di installazione (il presente documento)
- Pannello d'accesso (con vite)
- Cavo USB (tipo A-B, 5 metri, per comunicazioni vocali)
- Cavo USB (tipo micro A-B, 1 metro, per configurazione)
- Piedini di gomma (4 pz.)

Elementi venduti separatamente

- **Accessorio di montaggio RM-MRK**

È necessario per l'installazione del prodotto in un rack da 19 pollici.

Per dettagli su come fissare RM-MRK, consultare "INSTALLAZIONE IN RACK" (pagina. 115).

- **Accessorio di montaggio RM-MTL**

È necessario per l'installazione del prodotto sotto una scrivania.

Per dettagli su come fissare RM-MTL, consultare "INSTALLAZIONE SU UNA SCRIVANIA" (pagina. 117).

Struttura del manuale

Per questo prodotto, oltre al manuale d'installazione, sono disponibili i seguenti materiali.

- **Manuale di riferimento RM-CR**

Spiega i collegamenti tra questo dispositivo e dispositivi esterni, oltre alle impostazioni tramite interfaccia web.

I relativi documenti sono scaricabili dal seguente sito web.

<https://download.yamaha.com/>

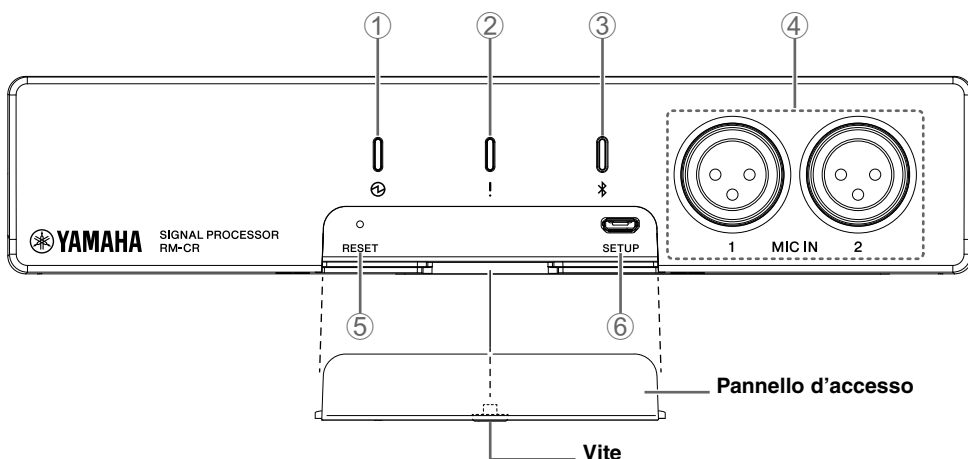
CONTROLLI E CONNETTORI

Pannello anteriore

Questa spiegazione usa un'illustrazione che mostra lo stato in cui viene spedito il prodotto.

Effettuate le impostazioni, stringere la vite per fissare il pannello d'accesso fornito in dotazione in modo da rendere inaccessibili il pulsante [REST] e la porta [SETUP].

Per dettagli su ciascun indicatore, consultare il "Manuale di riferimento RM-CR".



① Indicatore (alimentazione)

Indicatore dell'alimentazione. Si accende quando l'alimentazione viene fornita correttamente alla porta [Dante/PoE] del pannello posteriore.

② Indicatore (stato)

Questo indica lo stato dell'unità.

③ Pulsante/indicatore (Bluetooth)

Premere per associare con uno smartphone via Bluetooth.

La connessione allo smartphone consente di scambiare audio a distanza.

④ Prese [MIC IN] 1/2

Si tratta di prese XLR (bilanciate) per collegare microfoni dinamici. Non collegarvi microfoni a condensatore.

⑤ Pulsante [RESET]

Per premere il pulsante, utilizzare un oggetto a punta sottile.

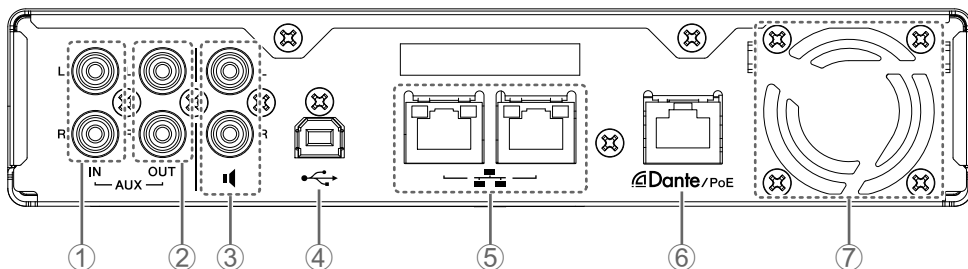
Pressione lunga	Indicatore di stato	Oggetto del ripristino
Da 4 secondi a meno di 8 secondi	Lampeggia due volte al secondo	Impostazioni di rete
Da 8 secondi a meno di 12 secondi	Lampeggia tre volte al secondo	Tutte le impostazioni (riavvio automatico dopo l'inizializzazione)

Premendo il pulsante per meno di 4 secondi oppure per almeno 12 secondi non ripristina nulla.

⑥ Porta [SETUP]

Questa porta serve per connettersi a un computer in modo da poter effettuare le impostazioni tramite browser web. Utilizzare il cavo USB incluso (tipo A-micro B) per questa connessione. Per dettagli sulle impostazioni, consultare il "Manuale di riferimento RM-CR".

Pannello posteriore



① Prese [AUX IN] L/R

Si tratta delle prese RCA (non bilanciate) per l'ingresso audio. Usare queste prese se l'audio remoto è analogico.

② Prese [AUDIO OUT] L/R

Si tratta di prese RCA (non bilanciate) per l'uscita audio. Usare queste prese se l'audio remoto è analogico.

③ Prese diffusori

Si tratta di prese RCA (non bilanciate) per l'uscita audio. Usare queste prese se il diffusore attivo o l'amplificatore di potenza remoto non supporta Dante.

④ Porta USB

Usare questa porta per connettersi a un computer per scambiare audio a distanza. Utilizzare il cavo USB incluso (tipo A-B) per questa connessione.

⑤ Porte di rete

Si tratta di porte RJ-45 a cui connettere cavi LAN (CAT5e o superiore) per l'amministrazione remota e le impostazioni via rete aziendale ecc.

DHCP è l'impostazione predefinita. Se si desidera utilizzare un indirizzo IP specifico, usare l'interfaccia web per specificare l'indirizzo IP prima di connettersi alla rete aziendale. Per dettagli sulle impostazioni, consultare il "Manuale di riferimento RM-CR".

È anche possibile connettersi a una rete pubblica per scambiare l'audio a distanza tramite protocollo SIP.

Avviso : La lunghezza massima del cavo utilizzabile è di 100 metri.

- Per prevenire interferenze elettromagnetiche, utilizzare cavi STP (Shielded Twisted Pair, doppino ritorto schermato).

⑥ Porta [Dante/PoE]

Si tratta di una porta RJ-45 a cui connettere un cavo LAN (CAT5e o superiore) tramite un iniettore PoE conforme IEEE802.3at o uno switch di rete PoE a un'unità Dante come la RM-CG.

Avviso : Non connettere qui dispositivi non compatibili Dante o un dispositivo che non supporti gigabit Ethernet (incluso un computer).

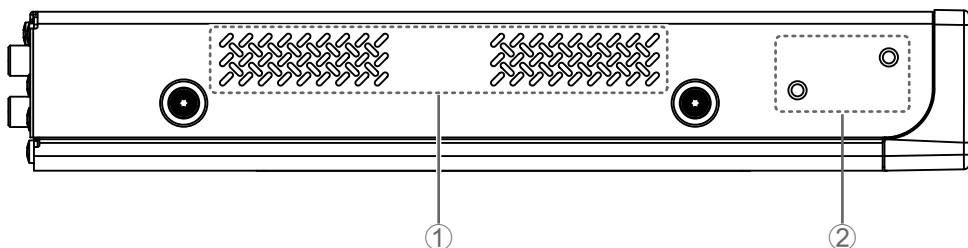
- La lunghezza massima del cavo utilizzabile è di 100 metri.
- Per prevenire interferenze elettromagnetiche, utilizzare un cavo STP (Shielded Twisted Pair, doppino ritorto schermato).

⑦ Sfiato aria

Questo prodotto dispone di una ventola di raffreddamento. Da questo sfiato viene espulsa l'aria calda, quindi evitare di ostruire l'apertura.

Pannello laterale

L'illustrazione esplicativa mostra il lato sinistro visto dal davanti.



Italiano

① Ingresso aria

Da questo ingresso entra l'aria per il raffreddamento, quindi evitare di ostruire l'apertura. Pulire inoltre periodicamente l'apertura. In caso di accumulo di polvere, la temperatura interna potrebbe aumentare compromettendo il regolare funzionamento dell'unità.

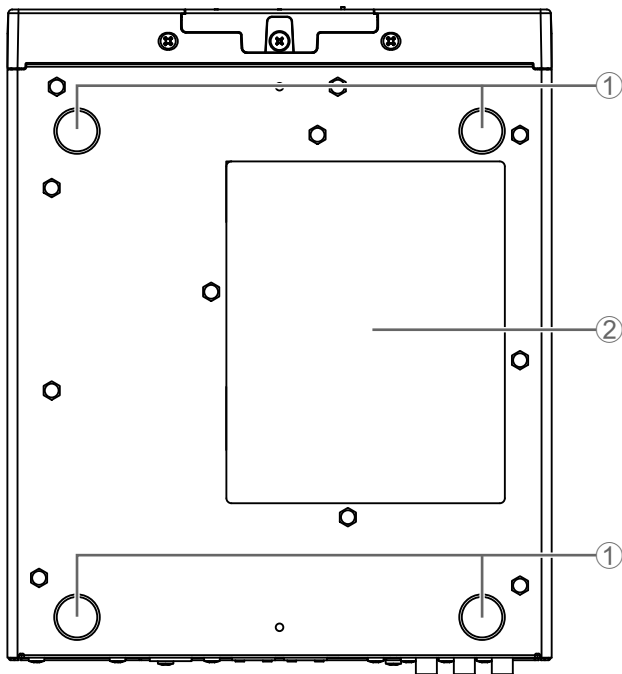
② Fori per fissare l'accessorio di montaggio

Fori da utilizzare per fissare l'accessorio di montaggio RM-MRK o RM-MTL.

Per dettagli su come fissare RM-MRK, consultare "INSTALLAZIONE IN RACK" (pagina. 115).

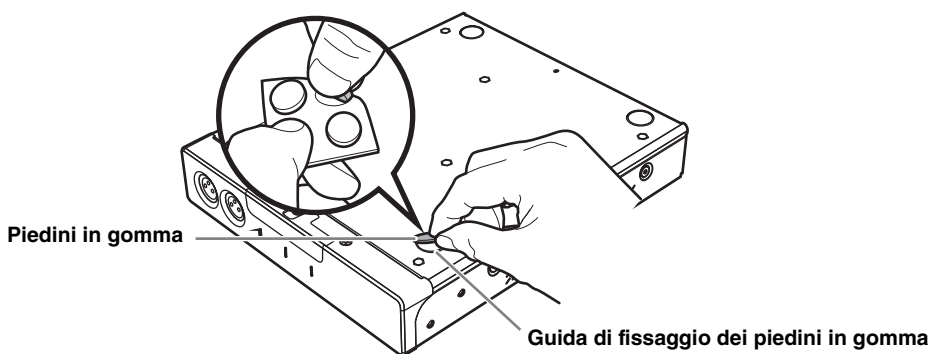
Per dettagli su come fissare RM-MTL, consultare "INSTALLAZIONE SU UNA SCRIVANIA" (pagina. 117).

Pannello inferiore



① Guide di fissaggio dei piedini in gomma

Si tratta dei punti in cui fissare i piedini in gomma forniti in dotazione. Fissare i piedini in gomma forniti in dotazione con l'unità come illustrato.



② Etichetta prodotto

Indica il nome del modello, il numero di serie e l'indirizzo MAC dell'unità.

INSTALLAZIONE IN RACK

Per installare l'unità, servirsi dell'accessorio di montaggio RM-MRK venduto separatamente.

Leggere prima di montare l'unità in un rack

Questo prodotto è garantito per il funzionamento entro un intervallo di temperatura tra 0 e 40°C. Se il prodotto è montato in un rack insieme ad altri dispositivi, potrebbero verificarsi casi in cui il calore dai vari dispositivi fa salire la temperatura interna al rack con conseguenti prestazioni insoddisfacenti del prodotto. Per prevenire l'aumento della temperatura all'interno dell'unità, montare l'unità in rack secondo i seguenti requisiti.

- Se il prodotto viene montato insieme ad altri dispositivi inclini a produrre calore, come p.es. amplificatori di potenza, lasciare almeno 1U di spazio tra il prodotto e gli altri dispositivi. Assicurarsi inoltre di mantenere una sufficiente ventilazione di questo spazio, installando un pannello di ventilazione o lasciando il rack aperto.
- Lasciare aperto il pannello posteriore del rack e assicurarsi che ci siano almeno 10 cm di distanza tra il rack e la parete o il soffitto per consentire una sufficiente circolazione dell'aria. In caso non sia possibile aprire il pannello posteriore del rack, installare un dispositivo di ventilazione forzata disponibile in commercio, come per esempio un kit di ventole. Installando il kit di ventole, il pannello posteriore chiuso potrebbe funzionare meglio ai fini della dissipazione del calore. Per maggiori informazioni, consultare il manuale di istruzioni del rack e/o del kit di ventole.

Attenzione: Se si ha intenzione di ricollocare il rack, assicurarsi prima di rimuovere l'unità dal rack stesso.



Spostando il rack con il prodotto montato all'interno, le vibrazioni ecc. potrebbero causare la deformazione o la rottura dell'accessorio di montaggio e provocare eventuali lesioni o il malfunzionamento dell'unità.

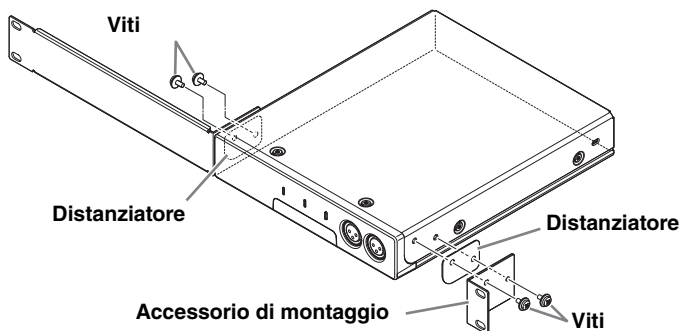
[Installazione]

L'esempio qui illustrato si riferisce al caso in cui il lungo elemento di fissaggio metallico è fissato al lato sinistro visto dal davanti. La procedura è utilizzabile anche per fissare l'elemento sul lato opposto.

Avviso: Se i piedini in gomma inclusi sono già stati fissati all'unità, rimuoverli.

1. Nel fissare l'elemento metallico, posizionare il distanziatore incluso tra l'unità e l'elemento metallico.

Utilizzare le viti di fissaggio (4 pz.) incluse con l'accessorio di montaggio, stringere un elemento su ciascun lato dell'unità.

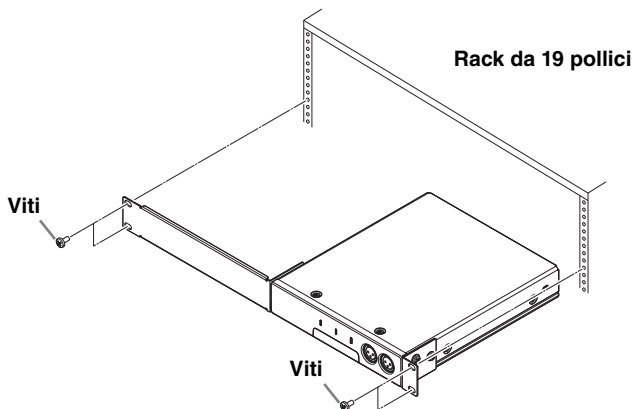


Avvertenza: Utilizzare solo le viti specificate incluse con l'accessorio di montaggio.

La caduta dell'unità potrebbe causare lesioni o danni. Potrebbe causare scosse elettriche o malfunzionamenti.

2. Fissare l'elemento metallico al rack da 19".

Fissare gli elementi metallici al rack da 19" tramite le quattro viti di fissaggio incluse. Assicurarsi di stringere le viti in modo che non si allentino.



INSTALLAZIONE SU UNA SCRIVANIA

Per installare l'unità, servirsi dell'accessorio di montaggio RM-MTL venduto separatamente.

Procurarsi quattro viti di diametro di circa 5 mm (equivalenti a M5) adatte per il materiale e lo spessore della scrivania.

Eseguire l'installazione fino al punto 4.



Avvertenza: Non fissare il prodotto in punti diversi dal lato inferiore della scrivania.

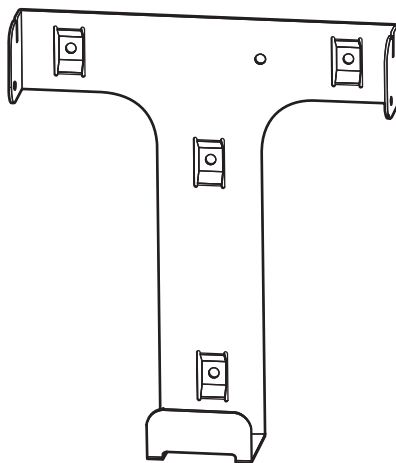
La caduta dell'unità potrebbe causare lesioni o danni.

Attenzione: L'installazione deve essere eseguita da un installatore qualificato. Durante l'installazione, prestare attenzione ai seguenti punti.



- Scegliere strumenti e un'ubicazione decisamente in grado di supportare il peso dell'unità.
- Evitare luoghi soggetti a vibrazioni costanti
- Si deve utilizzare l'accessorio d'installazione specificata
- Eseguire ispezioni di manutenzione periodiche

1. Per stringere l'elemento di fissaggio metallico sul lato inferiore della scrivania, servirsi di quattro viti da 5 mm di diametro disponibili in commercio.



Nell'illustrazione sopra, la parte superiore è rivolta verso il davanti.

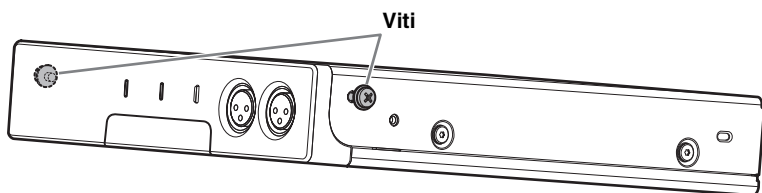


Avvertenza: Si devono utilizzare viti adatte al materiale della scrivania.

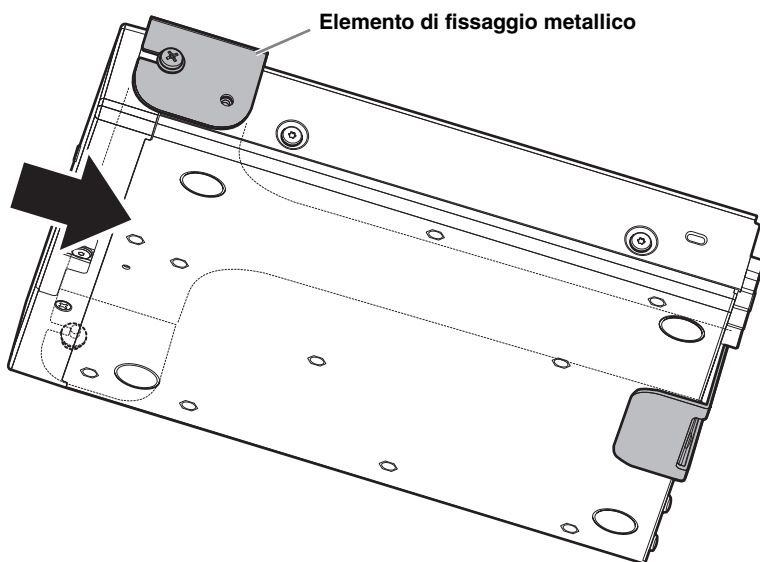
La caduta dell'unità potrebbe causare lesioni o danni.

2. Inserire temporaneamente le due viti incluse nei fori anteriori dell'accessorio di montaggio del prodotto.

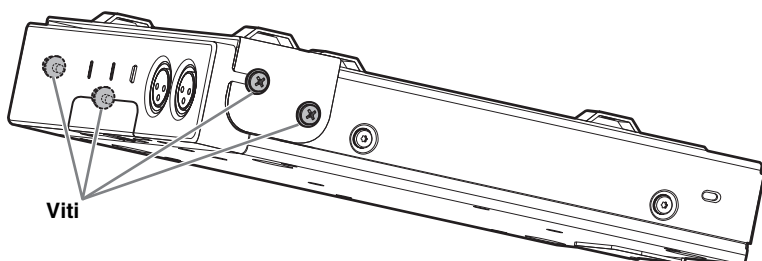
Lasciare in questo caso circa 2 mm tra il lato dell'unità e la testa della vite, in modo che le viti penetrino nell'elemento metallico.



3. Far scorrere l'unità in modo che le viti inserite provvisoriamente al punto 2 penetrino nelle fessure metalliche fissate sotto la scrivania.



4. Stringere le quattro viti nei fori di fissaggio dell'accessorio di montaggio.



SPECIFICHE PRINCIPALI

Specifiche generali

Dimensioni	L 215 mm × P 264 mm × A 44 mm	
Peso	1,6 kg	
Alimentazione	IEEE802.3at (porta Dante/PoE), CC 48 V	
Consumo massimo	15,0 W	
Temperatura	Operativa	0 °C – 40 °C
	Conservazione	–20 °C – 60 °C
Umidità	Operativa	30% – 90% (senza condensa)
	Conservazione	20% – 90% (senza condensa)
Indicatori	<ul style="list-style-type: none">• Alimentazione• Stato• Bluetooth• Indicatore porta di rete (×3)	
Elementi inclusi	Manuale di installazione (questo documento), pannello d'accesso (con vite), cavo USB (tipo A-B), cavo USB (tipo A-micro B), gambe (piedini in gomma) (4 pz.)	
Elementi venduti separatamente	Accessorio di montaggio: RM-MTL Accessorio di montaggio: RM-MRK	

Specifiche audio

Risposta in frequenza		20 Hz – 20 kHz	
Frequenza di campionamento		48 kHz	
Profondità di bit		24 bit	
Latenza		8 [ms] (da ingresso Dante a uscita USB, inclusa elaborazione del segnale)	
Interfaccia audio	Dante	16 ingressi × 16 uscite	
	USB	USB2.0 tipo B, Classe audio 1.0 Ingresso: 2 can., Uscita: 2 can. a 48 kHz	
	Ingresso microfono	XLR bilanciato, Ingresso 2 can.	
	AUX	RCA non bilanciato (livello di linea), Ingresso: 2 can., Uscita: 2 can.	
	Uscita diffusori	RCA non bilanciato (livello di linea), Uscita: 2 can.	
	Bluetooth	Versione 4.2 Protocolli supportati: HFP (1.6), A2DP, AVRCP (1.6) Codec supportati: CVSD, SBC, mSBC Uscita wireless: Classe 2 Massima distanza di comunicazione: 10 metri (senza ostacoli) Frequenze wireless (frequenze operative): 2.402 – 2.480 MHz Potenza di uscita massima (EIRP): 4,0 dBm (2,5 mW)	
	SIP	Gestione delle chiamate	Componi, Rispondi, Pausa, Riprendi, Inoltro, Non disturbare, ID chiamata, Notifiche segreteria telefonica (configurazione switch)
		Chiamate ponte	Supporta la comunicazione ponte per chiamate SIP, USB, BT e AUX. Unisci, Dividi, Pausa, Riprendi, linee 5+1: Fino a 2 chiamate SIP, 1 chiamata USB, 1 chiamata Bluetooth, 1 chiamata AUX più l'utente
		Codec	G.711, G.722HD, G.729ab, G.726
		Supporto DTMF	Evento RTP, SIP in banda, pacchetto info SIP
Sicurezza		Supporto SRTP (RFC 1889), supporto IETF SIP (RFC 3261 e relative RFC)	

Specifiche di rete

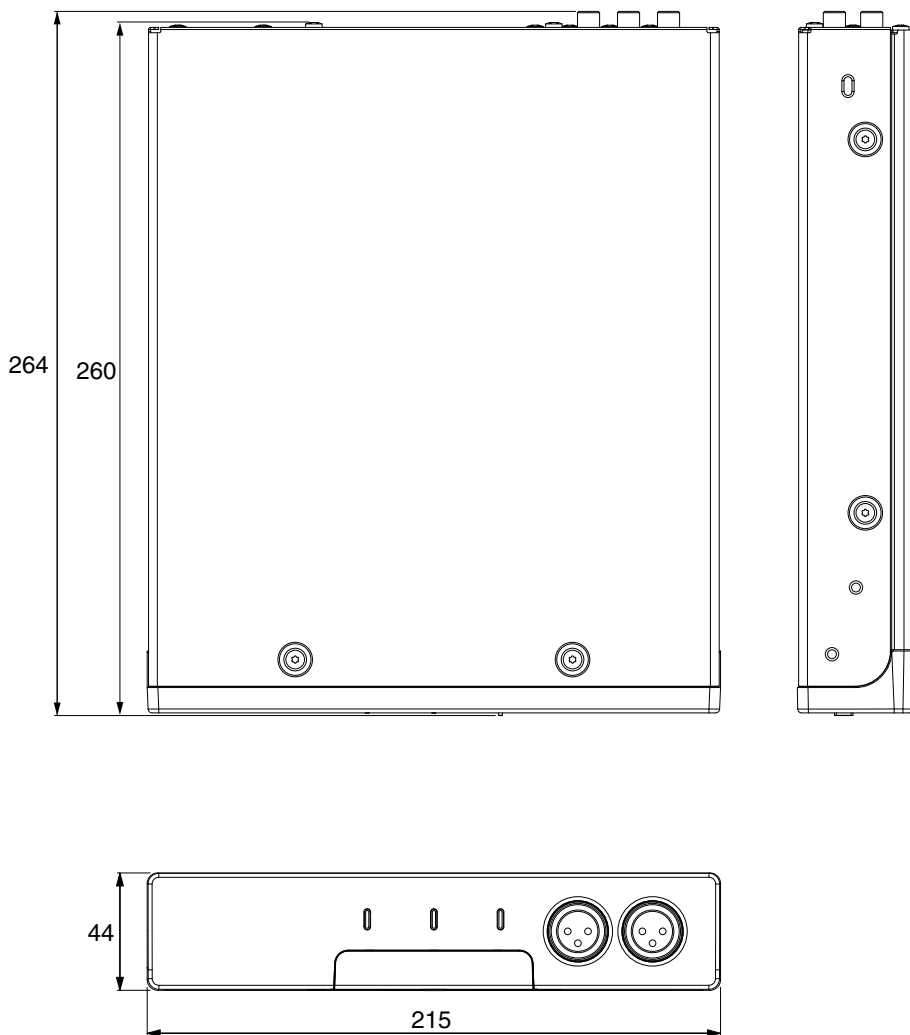
Porta [Dante/PoE]	Dante Audio/Dante Control, Controllo remoto, interfaccia web, supporto PoE+ Requisiti per i cavi: CAT5e o categoria superiore, STP
Porte di rete	Rete aziendale, Controllo remoto, SIP, interfaccia web Requisiti per i cavi: CAT5e o categoria superiore, STP
Porta [SETUP]	Micro USB2.0, classe di rete, interfaccia web, IP fisso Requisiti per i cavi: Cavo USB (tipo A-micro B)

Caratteristiche ingresso/uscita

Terminale d'ingresso	Impedenza carico effettiva	Per uso con valore nominale	Livello d'ingresso		Connettore
			Nominale	Max. pre-clipping	
MIC IN 1, 2	2,2 k Ω	50 – 600 Ω	-46 dBu	-26 dBu	XLR-3-31 (bilanciato)
AUX IN L, R	20 k Ω	1 k Ω	-14 dBV	+6 dBV	PIN RCA

Terminale d'uscita	Impedenza sorgente effettiva	Per uso con valore nominale	Livello d'uscita		Connettore
			Nominale	Max. pre-clipping	
AUX OUT L, R	1 k Ω	10 k Ω	-14 dBV	+6 dBV	PIN RCA
SP OUT L, R	1 k Ω	10 k Ω	-14 dBV	+6 dBV	PIN RCA

Diagramma dimensioni



Unità: mm

СОДЕРЖАНИЕ

ПРАВИЛА ТЕХНИКИ БЕЗОПАСНОСТИ	124
УВЕДОМЛЕНИЕ	127
ИНФОРМАЦИЯ	127
ВВЕДЕНИЕ	129
Элементы, входящие в комплект	129
Элементы, продаваемые отдельно	129
Структура руководства.....	129
ЭЛЕМЕНТЫ УПРАВЛЕНИЯ И РАЗЪЕМЫ	130
Передняя панель	130
Задняя панель.....	132
Боковая панель.....	133
Нижняя панель.....	134
УСТАНОВКА НА СТОЙКЕ	135
УСТАНОВКА НА РАБОЧЕМ СТОЛЕ	137
ОСНОВНЫЕ ТЕХНИЧЕСКИЕ ХАРАКТЕРИСТИКИ	139
Схема размеров	142

Номер модели, серийный номер, требования к источнику питания и пр. указаны на табличке с названием изделия в нижней части устройства или рядом с ней. Запишите серийный номер в расположенном ниже поле и сохраните данное руководство как подтверждение покупки; это поможет идентифицировать принадлежность устройства в случае кражи.

Номер модели.

Серийный номер.

(bottom_ru_01)

ПРАВИЛА ТЕХНИКИ БЕЗОПАСНОСТИ

ВНИМАТЕЛЬНО ПРОЧИТЕ ПЕРЕД ИСПОЛЬЗОВАНИЕМ

Храните данное руководство в надежном месте, чтобы к нему можно было обратиться в будущем.

Компания Yamaha не несет ответственности за повреждения, возникшие в результате ненадлежащего использования или модификаций продукта, а также за потерю или уничтожение данных.



ПРЕДУПРЕЖДЕНИЕ

Всегда соблюдайте указанные ниже основные меры предосторожности, чтобы избежать риска серьезной травмы или даже смерти в результате поражения электрическим током, короткого замыкания, повреждений, пожара и других угроз. Данные меры предосторожности включают в себя, помимо прочего, следующее.

Беречь от огня

- Не размещайте горящие предметы или источники открытого огня рядом с продуктом, поскольку это может привести к возгоранию.

Потеря слуха

- Перед включением или выключением питания любых устройств убедитесь, что все регуляторы громкости установлены на минимальное значение. В противном случае это может привести к потере слуха, поражению электрическим током или повреждению устройства.
- При включении питания переменного тока в аудиосистеме всегда включайте усилитель мощности В ПОСЛЕДНЮЮ ОЧЕРЕДЬ во избежание потери слуха и повреждения динамиков. При выключении питания усилитель мощности следует выключать ПЕРВЫМ по той же причине.

Модуль беспроводной связи

- Не используйте продукт около медицинских приборов и в медицинских учреждениях. Радиоволны от данного продукта могут воздействовать на электрические медицинские устройства.
- Не используйте продукт ближе, чем в 15 см от людей с имплантированным кардиостимулятором или дефибриллятором. Радиоволны, генерируемые данным продуктом, могут повлиять на работу электрических медицинских устройств, например вживленных кардиостимуляторов или дефибрилляторов.



ВНИМАНИЕ

Всегда соблюдайте указанные ниже основные меры предосторожности, чтобы избежать риска физической травмы для себя или других людей. Данные меры предосторожности включают в себя, помимо прочего, следующее.

Нештатные ситуации

- При возникновении любой из следующих проблем немедленно выключите инжектор PoE или сетевой коммутатор PoE и отсоедините кабель.
 - Кабель LAN поврежден.
 - От продукта исходит необычный запах или дым.
 - Посторонний предмет или вода попали внутрь продукта.
 - Во время работы продукта неожиданно пропадает звук.
 - На продукте появились трещины или другие видимые повреждения.
- Затем отнесите продукт для осмотра или ремонта в сервисный центр Yamaha.

Расположение и подключение

- Для подключения продукта к инжектору PoE или сетевому коммутатору PoE используйте кабель LAN CAT5e или более скоростной кабель, который поддерживает максимальное напряжение источника питания (57 В) стандарта IEEE 802.3at. При использовании кабеля, который не соответствует техническим характеристикам, либо плоского или тонкого кабеля, возможно возникновение пожара или неисправностей.
 - Не допускайте повреждений кабеля LAN. Несоблюдение данного требования может привести к пожару, поражению электрическим током или повреждению продукта.
 - Не ставьте тяжелые предметы на кабель.
 - Не модифицируйте кабель каким-либо образом.
 - Не используйте скобы для фиксации кабеля.
 - Не прикладывайте к кабелю излишних усилий.
 - Храните кабель подальше от горячих предметов.
 - Не оставляйте продукт в неустойчивом положении или в месте, подверженном чрезмерной вибрации. Он может случайно упасть и причинить травму.
 - Храните продукт в недоступном для детей месте. Данный продукт не подходит для использования в местах, где вероятно присутствие детей.
 - Не перекрывайте вентиляционные отверстия. Данный продукт оснащен вентиляционными отверстиями сзади и по бокам для предотвращения слишком сильного повышения температуры внутри. В частности не ставьте продукт на бок или вверх ногами. Отсутствие надлежащей вентиляции может привести к перегреву, что, возможно, вызовет повреждение продукта или даже пожар.
 - Установка продукта
 - Не накрывайте аппарат тканью.
 - Не ставьте аппарат на коврики или ковры.
 - убедитесь, что верхняя панель направлена вверх и что аппарат не установлен в перевернутом положении или на бок;
 - Не пользуйтесь аппаратом в тесных, плохо проветриваемых помещениях.
- Отсутствие надлежащей вентиляции может привести к перегреву, что, возможно, вызовет повреждение продукта или даже пожар.

- Если продукт монтируется на стандартной стойке EIA, внимательно прочтите раздел “Прочтите данный раздел перед установкой аппарата на стойке” на стр. 135. Отсутствие надлежащей вентиляции может привести к перегреву, что, возможно, вызовет повреждение продукта, неисправность или даже пожар.
- Не устанавливайте продукт в местах, где он может контактировать с коррозионными газами или соленым воздухом. Это может стать причиной неисправности.
- Перед перемещением продукта отсоедините все подключенные кабели.
- Не прокладывайте кабели в местах, где кто-то может за них зацепиться, например, на проходе. В этом случае это может привести к падению человека или продукта и вызвать физическую травму или повреждение продукта.
- Не используйте отдельно продаваемые монтажные приспособления RM-MTL для крепления аппарата к потолку или к стене, высота которых превышает 2 метра. Падение аппарата может привести к травме или повреждению.
- Если для установки продукта требуется проведение строительных работ, всегда обращайтесь в сервисный центр Yamaha. Неправильная установка может стать причиной несчастных случаев, травм, повреждения или неисправности продукта.

Не открывать

- Данный продукт содержит не обслуживаемые пользователем детали. Не пытайтесь разбирать внутренние детали или модифицировать их каким-либо образом.

Беречь от воды

- Не допускайте попадания продукта под дождь, не пользуйтесь им рядом с водой, в условиях сырости или повышенной влажности. Не ставьте на аппарат какие-либо емкости с жидкостью (например, вазы, бутылки или стаканы), которая может пролиться и попасть в отверстия.
- Никогда не вставляйте и не отсоединяйте кабель мокрыми руками.

Меры безопасности при эксплуатации

- Не вставляйте пальцы или руки в зазоры или отверстия на продукте (вентиляционные отверстия и пр.)
- Не опирайтесь на продукт и не ставьте на него тяжелые предметы.

Резервный аккумулятор

- Не выполняйте замену резервного аккумулятора самостоятельно. Это может вызвать взрыв или повреждение продукта.

УВЕДОМЛЕНИЕ

Эксплуатация и техническое обслуживание

- Не подключайте данный продукт к общедоступной сети Wi-Fi и/или Интернету напрямую. Подключайте продукт к Интернету только через маршрутизатор с надежной защитой паролем. Обратитесь к производителю маршрутизатора, чтобы получить информацию о передовых технологиях обеспечения безопасности.
- Не используйте продукт вблизи телевизора, радиоприемника или других электрических устройств. В противном случае продукт, телевизор или радиоприемник могут генерировать шум.
- Не подвергайте продукт слишком сильному воздействию пыли или вибрации, чрезмерно низких или высоких температур, иначе это может вызвать деформацию панели, нестабильную работу или повреждение внутренних компонентов.
- Не устанавливайте продукт в местах с резкими перепадами температур. В противном случае может образоваться конденсат внутри или на поверхности продукта и вызвать поломку.
- Если существует причина образования конденсата, перед использованием оставьте продукт на несколько часов, не включая питания, пока он не высохнет полностью, чтобы предотвратить возможные повреждения.
- Не ставьте на продукт виниловые, пластмассовые и резиновые предметы, т.к. это может вызвать повреждение или обесцвечивание панели.
- Для чистки продукта пользуйтесь мягкой сухой тканью. Не используйте разбавители краски, растворители, чистящие жидкости или салфетки, пропитанные химическими веществами, т.к. это может вызвать повреждение или обесцвечивание.
- Резиновые ножки, входящие в комплект, можно прикрепить к продукту, чтобы он не скользил, если предполагается его использование на скользкой поверхности.

ИНФОРМАЦИЯ

Функции и данные, связанные с продуктом



- Данный продукт относится к классу А. Использование данного продукта в жилом помещении может вызвать радиопомехи.
- Условия лицензирования ПО с открытым исходным кодом, используемого в данном продукте, представлены на указанном ниже веб-сайте.
<https://download.yamaha.com/>
- В данном продукте используется чип Dante Broadway. Сведения о лицензиях на ПО с открытым исходным кодом для конкретного ПО см. на веб-сайте Audinate (на английском языке).
<https://www.audinate.com/software-licensing>
- К разъемам типа XLR проводное подключение осуществляется следующим образом (стандарт IEC60268):
штекер 1: земля, штекер 2: фаза (+) и штекер 3: ноль (-).



Словесный знак и логотипы Bluetooth® являются зарегистрированными товарными знаками, принадлежащими компании Bluetooth SIG, Inc., и любое использование данных товарных знаков компанией Yamaha Corporation осуществляется согласно лицензии.

О данном руководстве

- В данном руководстве по установке используются следующие сигнальные слова для обозначения важной информации.

 ПРЕДУПРЕЖДЕНИЕ	Данная информация предупреждает о риске гибели или получения серьезных травм.
 ВНИМАНИЕ	Данная информация предупреждает о риске получения травмы.
УВЕДОМЛЕНИЕ	Указания, которые необходимо соблюдать во избежание неисправности, повреждения или нарушения работы продукта, а также потери данных.
ВАЖНО	С данной информацией необходимо ознакомиться, чтобы использовать продукт надлежащим образом.
ПРИМЕЧАНИЕ	Данная информация связана с использованием продукта. Ознакомьтесь с ней для справки.

- Иллюстрации в данном руководстве приведены только в качестве примеров.
- Названия компаний и изделий в данном руководстве являются товарными знаками или зарегистрированными товарными знаками соответствующих компаний.
- Программное обеспечение может изменяться и обновляться без предварительного уведомления.
- В содержании данного руководства приведены последние на момент публикации технические характеристики. Для получения последней версии руководства посетите веб-сайт Yamaha и загрузите файл с руководством.

Информация по утилизации

- Данный продукт содержит компоненты, подлежащие переработке. Для утилизации продукта обратитесь в соответствующие органы местного управления.

ВВЕДЕНИЕ

Благодарим за приобретение сигнального процессора RM-CR. Данный продукт является сигнальным процессором, который создает приятный звук высокого качества для дистанционных конференций, проводимых в залах и офисах среднего размера. Обязательно прочитайте данное руководство перед использованием продукта. Храните его в надежном месте, чтобы к нему можно было обратиться в будущем.

Элементы, входящие в комплект

- Руководство по установке (настоящий документ)
- Съёмная панель (с винтом)
- Кабель USB (тип A-B, 5 метров, для голосовой коммуникации)
- Кабель USB (тип A-micro B, 1 метр, для настройки)
- Резиновые ножки (4 шт.)

Элементы, продаваемые отдельно

• Приспособление для монтажа RM-MRK

Данное приспособление необходимо для монтажа продукта на 19-дюймовой стойке.

Подробнее о креплении RM-MRK см. “УСТАНОВКА НА СТОЙКЕ” (стр. 135).

• Приспособление для монтажа RM-MTL

Данное приспособление необходимо для монтажа продукта на нижней стороне рабочего стола.

Подробнее о креплении RM-MTL см. “УСТАНОВКА НА РАБОЧЕМ СТОЛЕ” (стр. 137).

Структура руководства

Для данного продукта кроме настоящего руководства по установке дополнительно доступны следующие материалы.

• Справочное руководство по RM-CR

В этом документе описываются подключения данного устройства к внешним устройствам, а также настройки через веб-интерфейс.

Сопутствующие документы можно загрузить с указанного ниже веб-сайта.

<https://download.yamaha.com/>

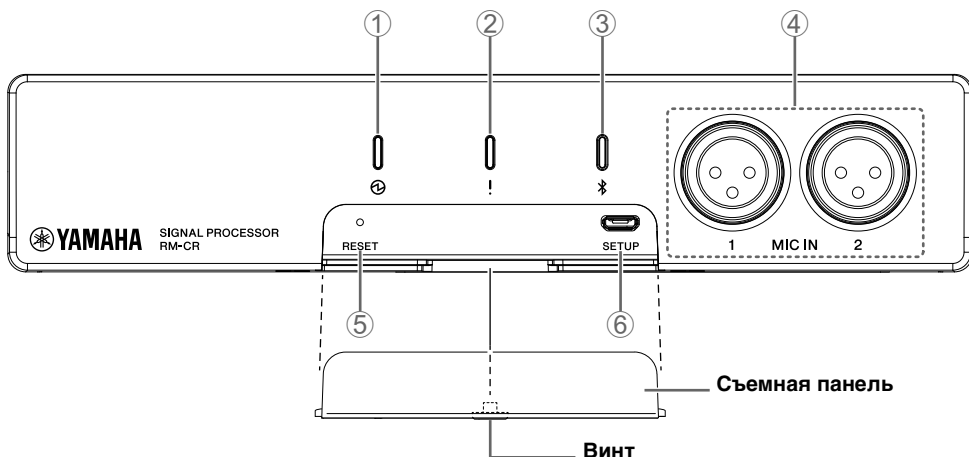
ЭЛЕМЕНТЫ УПРАВЛЕНИЯ И РАЗЪЕМЫ

Передняя панель

В данных объяснениях используется изображение состояния продукта на момент поставки.

После выполнения настроек прикрепите прилагаемую в комплекте съемную панель с помощью винта, чтобы кнопка [RESET] и порт [SETUP] были недоступны.

Подробные сведения о каждом индикаторе см. в справочном руководстве по RM-CR.



① Индикатор Ⓢ (питание)

Индикатор источника питания. Горит при правильной подаче питания через порт [Dante/PoE] на задней панели.

② Индикатор ! (состояние)

Показывает состояние аппарата.

③ Кнопка/индикатор ✎ (Bluetooth)

Нажмите, чтобы выполнить сопряжение со смартфоном через Bluetooth.

При подключении смартфона можно обмениваться аудиосигналами с удаленным устройством.

④ Гнезда [MIC IN] 1/2

Гнезда XLR (симметричные) для подключения динамических микрофонов. Не подключайте к ним конденсаторные микрофоны.

⑤ Кнопка [RESET]

Для нажатия кнопки используйте заостренный предмет, например, толкатель.

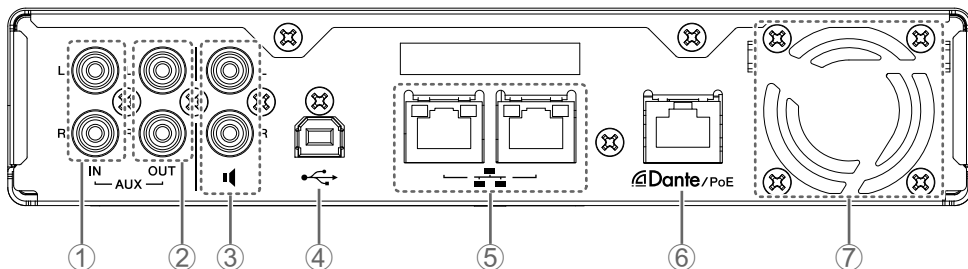
Длительное нажатие	Индикатор состояния	Цель сброса
От 4 до 8 секунд	Мигает дважды в секунду	Сетевые настройки
От 8 до 12 секунд	Мигает три раза в секунду	Все настройки (автоматический перезапуск после инициализации)

При длительном нажатии данной кнопки менее 4 секунд или более 12 секунд никакой сброс не выполняется.

⑥ Порт [SETUP]

Данный порт предназначен для подключения к компьютеру, что позволяет выполнять настройки через веб-браузер. Для данного подключения используйте прилагаемый кабель USB (тип A-micro B). Подробные сведения о настройках см. в справочном руководстве по RM-CR.

Задняя панель



① Гнезда [AUX IN] Л/П

Гнезда RCA (несимметричные) для ввода аудиосигнала. Используйте данные гнезда, если аудиосигнал от удаленного устройства является аналоговым.

② Гнезда [AUX OUT] Л/П

Гнезда RCA (несимметричные) для вывода аудиосигнала. Используйте данные гнезда, если аудиосигнал на удаленное устройство является аналоговым.

③ Гнезда для колонок

Гнезда RCA (несимметричные) для вывода аудиосигнала. Используйте данные гнезда, если активный динамик или усилитель мощности, используемый в удаленном месте, не поддерживает Dante.

④ Порт USB

Используйте данный порт для подключения к компьютеру, чтобы обмениваться аудиосигналами с удаленным устройством.

Для данного подключения используйте прилагаемый кабель USB (тип A-B).

⑤ Сетевые порты

Порты RJ-45, к которым можно подключить кабели LAN (CAT5e или более скоростной) для дистанционного управления и выполнения настроек через сеть компании и т.д.

DHCP указан по умолчанию. Если вы хотите использовать конкретный IP-адрес, укажите его с помощью веб-интерфейса перед подключением к сети компании. Подробные сведения о настройках см. в справочном руководстве по RM-CR.

Можно также подключиться к общедоступной сети для обмена аудиосигналами с удаленным устройством через протокол SIP.

Уведомление: Максимальная длина кабеля составляет 100 метров.

: Чтобы предотвратить электромагнитные помехи, используйте кабели STP (Shielded Twisted Pair, экранированная витая пара).

⑥ Порт [Dante/PoE]

Порт RJ-45, к которому можно подключить кабель LAN (CAT5e или более скоростной) через IEEE802.3at-совместимый инжектор PoE или сетевой коммутатор PoE к аппарату Dante, например, RM-CG.

Уведомление: Не подключайте сюда устройства, отличные от Dante-совместимых устройств или устройств (включая компьютер) с поддержкой gigabit Ethernet.

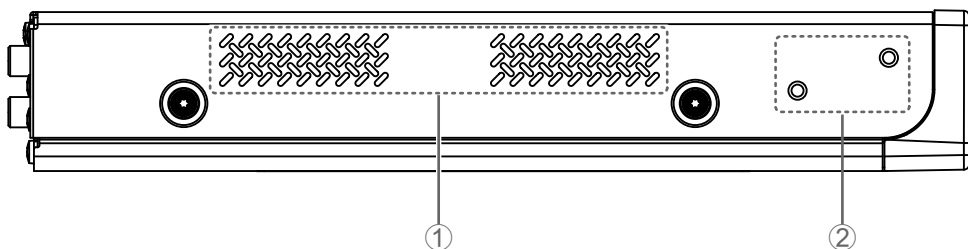
- : Максимальная длина кабеля составляет 100 метров.
- : Чтобы предотвратить электромагнитные помехи, используйте кабель STP (Shielded Twisted Pair, экранированная витая пара).

⑦ Воздухоотвод

Данный продукт оснащен охлаждающим вентилятором. Из данного отверстия выходит горячий воздух, поэтому следите за тем, чтобы оно ничем не блокировалось.

Боковая панель

В данных объяснениях используется изображение левой стороны, если смотреть спереди.



① Воздухозабор

Через данное отверстие забирается воздух для охлаждения, поэтому следите за тем, чтобы оно ничем не блокировалось. Периодически также следует чистить данное отверстие. При накоплении на нем пыли температура внутри аппарата может повышаться, препятствуя нормальной работе аппарата.

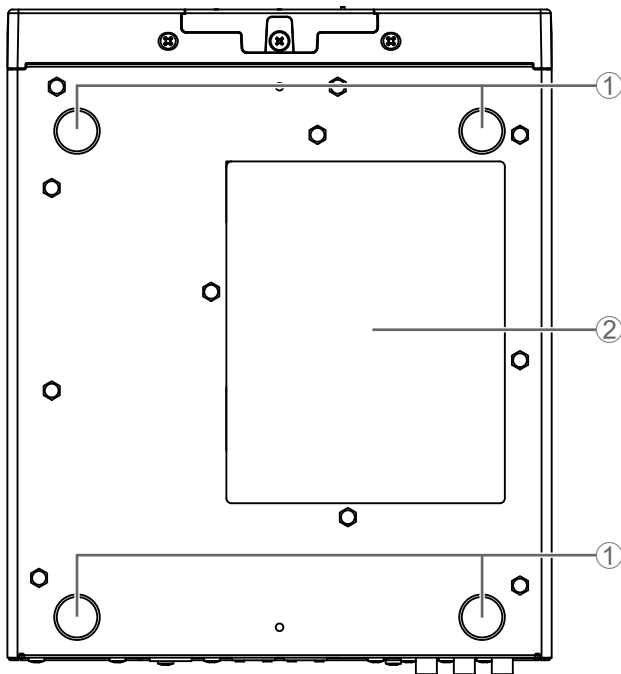
② Отверстия для крепления монтажного приспособления

Используйте их для крепления монтажного приспособления RM-MRK или RM-MTL.

Подробнее о креплении RM-MRK см. “УСТАНОВКА НА СТОЙКЕ” (стр. 135).

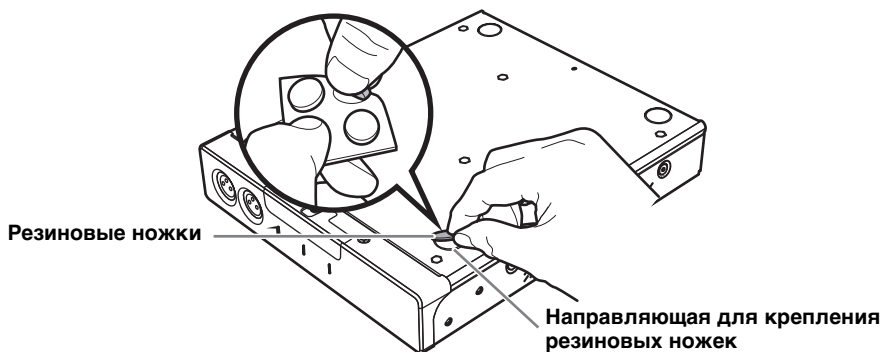
Подробнее о креплении RM-MTL см. “УСТАНОВКА НА РАБОЧЕМ СТОЛЕ” (стр. 137).

Нижняя панель



① Направляющие для крепления резиновых ножек

Места, куда следует крепить прилагаемые в комплекте резиновые ножки. Прикрепите прилагаемые резиновые ножки, как показано на рисунке.



② Этикетка продукта

Здесь указываются название модели, серийный номер и MAC-адрес аппарата.

УСТАНОВКА НА СТОЙКЕ

Используйте продаваемое отдельно приспособление для монтажа RM-MRK, чтобы установить аппарат.

Прочтите данный раздел перед установкой аппарата на стойке

Работа данного продукта гарантируется при температуре от 0 до 40°C. Если продукт монтируется на стойке вместе с другими устройствами, возможны ситуации, когда тепло от различных устройств вызывает повышение температуры внутри стойки, что препятствует нормальной работе продукта. Чтобы предотвратить повышение температуры внутри аппарата, монтируйте его на стойке в соответствии с указанными ниже требованиями.

- Если данный продукт монтируется вместе с устройствами, которые могут генерировать тепло, например, усилители мощности, оставьте зазор между продуктом и другими устройствами минимум 1 юнит. Следует также обеспечить достаточную вентиляцию в этом месте, установив вентиляционную панель или оставив его открытым.
- Оставьте заднюю панель стойки открытой и соблюдайте расстояние между стойкой и стеной или потолком минимум 10 см, чтобы обеспечить достаточную циркуляцию воздуха. Если вы не можете открыть заднюю панель стойки, установите имеющееся в продаже устройство для принудительной вентиляции, например, вентилятор. При наличии вентилятора закрытая задняя панель будет работать эффективнее для рассеивания тепла. Подробнее об использовании стойки и вентилятора см. в руководстве пользователя.

Внимание: Если вы планируете переместить стойку, сначала обязательно снимите данный аппарат со стойки.



Если продукт перемещается на стойке, вибрация и пр. может вызвать деформацию или поломку монтажного приспособления, что может привести к травме. Существует также возможность возникновения неисправности аппарата.

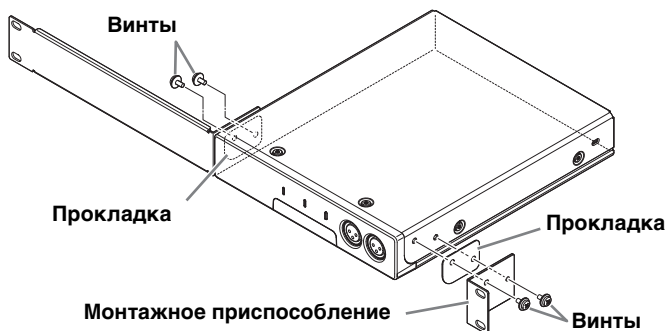
[Установка]

На рисунке ниже показано крепление длинного металлического фиксатора к левой стороне, если смотреть спереди. Аналогичным образом можно прикрепить длинный металлический фиксатор к противоположной стороне.

Уведомление: Если прилагаемые в комплекте резиновые ножки уже прикреплены к аппарату, снимите их.

1. При креплении каждого металлического фиксатора вставьте прилагаемую прокладку между аппаратом и фиксатором.

С помощью крепежных винтов (4 шт.), прилагаемых к монтажному приспособлению, прикрепите металлический фиксатор к каждой стороне аппарата.

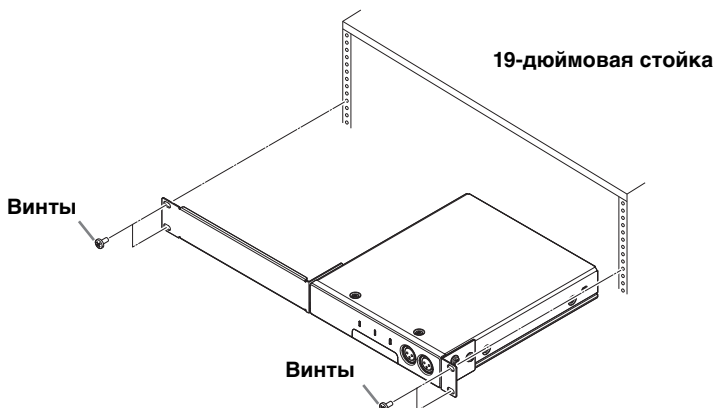


Предупреждение: Используйте только специальные винты, прилагаемые к монтажному приспособлению.

Падение аппарата может привести к травме или повреждению. Это также может вызвать поражение электрическим током или неисправности.

2. Прикрепите металлические фиксаторы к 19-дюймовой стойке.

Прикрепите металлические фиксаторы к 19-дюймовой стойке с помощью четырех прилагаемых винтов для крепления. Обязательно затяните винты, чтобы они не ослабли.



УСТАНОВКА НА РАБОЧЕМ СТОЛЕ

Используйте продаваемое отдельно приспособление для монтажа RM-MTL, чтобы установить аппарат.

Возьмите четыре винта диаметром около 5 мм (аналог M5), которые соответствуют материалу и толщине столешницы.

Выполните установку до шага 4.



Предупреждение: Крепите данный продукт только к нижней стороне столешницы.

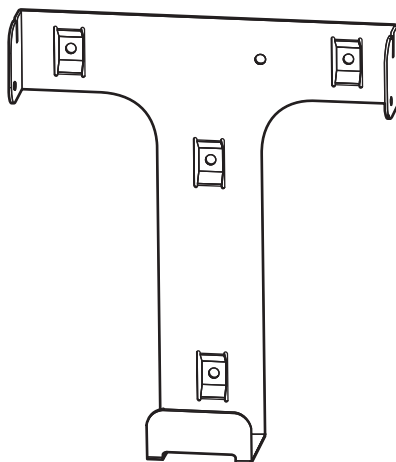
Падение аппарата может привести к травме или повреждению.

Внимание: Установка должна выполняться квалифицированным специалистом. В процессе установки обращайтесь внимание на следующее.



- Выбирайте оборудование и местоположение, которое может выдержать вес аппарата
- Не используйте места, подверженные постоянной вибрации
- Обязательно используйте специальное приспособление для установки
- Выполняйте периодическую проверку технического состояния

1. С помощью четырех имеющихся в продаже винтов диаметром около 5 мм закрепите металлический фиксатор на нижней стороне столешницы.



На рисунке выше верхняя часть направлена к передней стороне.

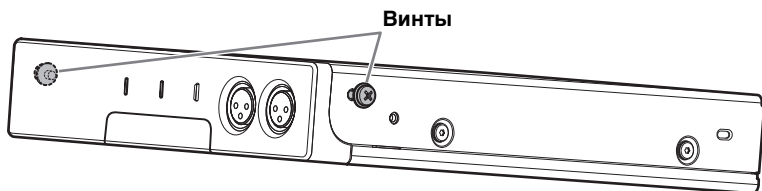


Предупреждение: Следует использовать винты, соответствующие материалу столешницы.

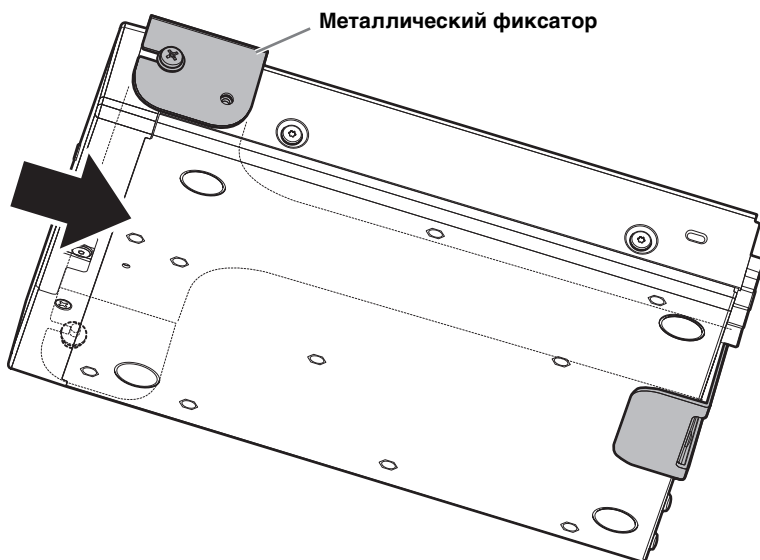
Падение аппарата может привести к травме или повреждению.

2. Временно установите два прилагаемых винта в передние отверстия монтажного приспособления данного продукта.

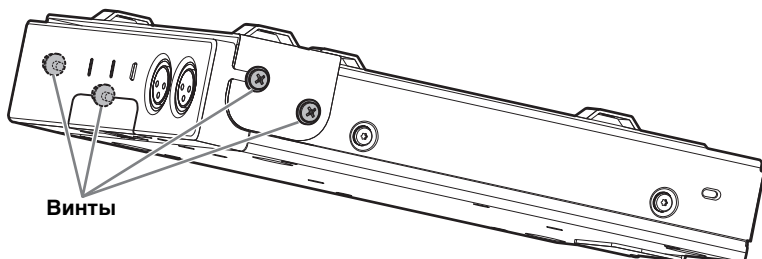
При этом оставьте зазор около 2 мм между боковой стороной аппарата и головкой винта, чтобы можно было вставить металлический фиксатор.



3. Сдвиньте аппарат таким образом, чтобы винты, временно установленные в шаге 2, вошли в углубления на металлическом фиксаторе, прикрепленном с нижней стороны рабочего стола.



4. Затяните четыре винта в отверстия для крепления монтажного приспособления.



ОСНОВНЫЕ ТЕХНИЧЕСКИЕ ХАРАКТЕРИСТИКИ

Общие технические характеристики

Размеры	Ш215 мм × Г264 мм × В44 мм	
Вес	1,6 кг	
Питание	IEEE802.3at (порт Dante/PoE), 48 В постоянного тока	
Максимальная потребляемая мощность	15,0 Вт	
Температура	Рабочая	0 °C – 40 °C
	Хранения	-20 °C – 60 °C
Влажность	Рабочая	30% – 90% (без конденсации)
	Хранения	20% – 90% (без конденсации)
Индикаторы	<ul style="list-style-type: none">• Питание• Статус• Bluetooth• Индикатор сетевого порта (x3)	
Элементы, входящие в комплект	Руководство по установке (настоящий документ), съемная панель (с винтом), кабель USB (тип A-B), кабель USB (тип A-micro B), ножки (резиновые) (4 шт.)	
Элементы, продаваемые отдельно	Монтажное приспособление: RM-MTL Монтажное приспособление: RM-MRK	

Технические характеристики аудиосигнала

Частотная характеристика		20 Гц – 20 кГц	
Частота выборки		48 kHz	
Разрядность		24-бит	
Задержка		8 [мс] (Dante In – USB Out, включая обработку сигнала)	
Аудиоинтерфейс	Dante	16 in x 16 out	
	USB	USB 2.0 тип В, класс аудио 1.0 Вход: 2ch, Выход: 2ch @48 кГц	
	Вход микрофона	XLR симметричный, Вход 2ch	
	AUX	RCA несимметричный (уровень линии), Вход: 2ch, Выход: 2ch	
	Выход динамика	RCA несимметричный (уровень линии), Выход: 2ch	
	Bluetooth	Версия 4.2 Поддерживаемые протоколы: HFP (1.6), A2DP, AVRCP (1.6) Поддерживаемые кодеки: CVSD, SBC, mSBC Беспроводной вывод: Класс 2 Максимальное расстояние связи: 10 метров (без препятствий) Частоты беспроводной связи (рабочий диапазон частот): 2402 – 2480 МГц Максимальная выходная мощность (ЭИИМ): 4,0 дБм (2,5 мВт)	
	SIP	Обработка вызова	Набор номера, ответ, удержание, возобновление, переадресация, не беспокоить, ID вызова, уведомления голосовой почты (настраиваемое переключение)
		Соединение вызовов	Поддержка соединения вызовов через SIP, USB, BT и AUX. Объединение, разделение, удержание, возобновление, 5+1 линии: до 2 вызовов SIP, 1 вызов USB, 1 вызов Bluetooth, 1 AUX, плюс пользователь
		Кодеки	G.711, G.722HD, G.729ab, G.726
		Поддержка DTMF	Событие RTP, внутриполосный SIP, информационный пакет SIP
Безопасность		Поддержка SRTP (RFC 1889), поддержка IETF SIP (RFC 3261 сопутствующие RFC)	

Технические характеристики сети

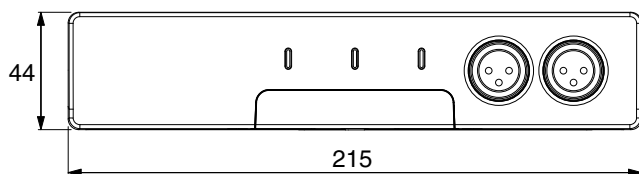
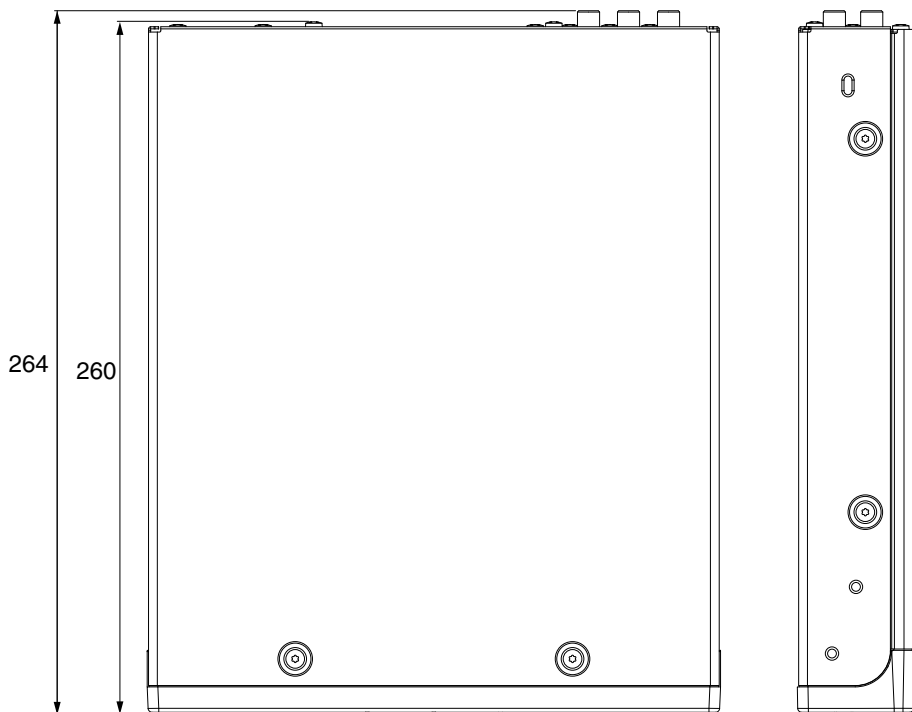
Порт [Dante/PoE]	Dante Audio/Dante Control, внешнее управление, веб-интерфейс, поддержка PoE+ Требования к кабелю: CAT5e или более скоростной, STP
Сетевые порты	Корпоративная сеть, внешнее управление, SIP, веб-интерфейс Требования к кабелю: CAT5e или более скоростной, STP
Порт [SETUP]	USB 2.0 micro, класс сети, веб-интерфейс, фиксированный IP Требования к кабелю: Кабель USB (тип A-micro B)

Характеристики ввода-вывода

Терминал ввода	Сопротивление фактической нагрузки	Для использования с номиналом	Уровень на входе		Разъем
			Номинал	Макс. до ограничения	
MIC IN 1, 2	2,2 кОм	50 – 600 Ом	-46 дБн	-26 дБн	XLR-3-31 (симметричный)
AUX IN Л, П	20 кОм	1 кОм	-14 дБВ	+6 дБВ	RCA PIN

Терминал вывода	Фактическое сопротивление источника	Для использования с номиналом	Уровень на выходе		Разъем
			Номинал	Макс. до ограничения	
AUX OUT Л, П	1 кОм	10 кОм	-14 дБВ	+6 дБВ	RCA PIN
SP OUT Л, П	1 кОм	10 кОм	-14 дБВ	+6 дБВ	RCA PIN

Схема размеров



Единица измерения: мм

目录

注意事项.....	144
须知.....	146
信息.....	147
简介.....	149
随附物品	149
单独出售的物品	149
说明书结构	149
控件和接头.....	150
前面板	150
后面板	152
侧面板	153
底面板	154
安装在机架中.....	155
桌面安装.....	157
主要规格.....	159
尺寸图	162

本产品的型号、序列号、电源要求等规格可能标在铭牌上或铭牌附近，铭牌位于本机底部。请将该序列号填写到下方的横线上，并妥善保存本说明书，以便在产品被盗时作为永久购买凭证使用。

型号名称

序列号

(bottom_zh_01)

注意事项

在操作之前，请务必先仔细阅读本说明书

请务必妥善保管本说明书，以便日后随时查阅。

对于由于不正当使用或擅自改装本产品所造成的损坏或数据丢失或损坏，Yamaha 概不负责。



务必遵循以下基本注意事项，避免因触电、短路、损坏、火灾或其他危险造成重伤甚至死亡。这些注意事项包括但不限于以下几项：

防火警告

- 请勿将任何燃烧物或明火靠近本产品，以免引起火灾。

听力损伤

- 打开或关闭所有设备电源之前，确保将所有设备的音量调至最小，以免造成听力损伤、触电或设备受损。
- 打开音频系统的交流电源时，请务必最后打开功率放大器，以免造成听力损伤和音箱受损。同样，关闭功率放大器时，应最先将其关闭。

无线设备

- 请勿在医疗设备附近或医疗设施内使用本产品。本产品的无线电波可能会干扰电子医疗设备。
- 请勿在装有心脏起搏器或除颤器的人员身边 15 cm (6 in) 范围内使用本产品。本产品的无线电波可能会干扰心脏起搏器或除颤器等电子医疗设备。



务必遵循以下基本注意事项，以免对您或他人造成人身伤害。这些注意事项包括但不限于以下几项：

如果发现任何异常

- 如果发生以下任何问题，请立即关闭 PoE 供电器或 PoE 网络交换机，并断开缆线。
 - LAN 缆线损坏。
 - 散发异味或烟雾。
 - 某些物体或水掉入产品中。
 - 产品使用过程中突然声音中断。
 - 产品上出现裂纹或其他明显的损坏。

然后由合格的 Yamaha 服务人员对产品进行检查或维修。

位置和连接

- 将本产品与 PoE 供电器或 PoE 网络交换机连接时，请使用支持最大 IEEE 802.3at 标准电源电压 (57 V) 的 CAT5e 或更高版本 LAN 电缆。如果连接不符合规格的缆线，或连接扁平型或细薄型缆线，可能会引起火灾或故障。

- 请勿损坏 LAN 缆线。不遵守此注意事项可能引起火灾、触电或产品损坏。
 - 请勿在缆线上放置重物。
 - 请勿以任何方式处理缆线。
 - 请勿使用订书钉将缆线固定到位。
 - 请勿对缆线施加过大的力。
 - 务必让缆线远离发热物体。
- 请勿将本产品放置在不稳的地方或剧烈振动的位置，否则可能会意外掉落并造成伤害。
- 将本产品放在儿童接触不到的地方。本产品不适合在儿童可能出现的地方使用。
- 请勿堵住通风口。本产品在后部 / 侧面设有通风口，用以防止内部温度过高。特别注意，请勿将产品侧放或颠倒放置。通风不足会导致过热，从而可能损坏产品，甚至引起火灾。
- 安装产品时：
 - 请勿用布遮盖。
 - 请勿在地毯上安装。
 - 确保顶部面板朝上，请勿侧放或倒放安装。
 - 请勿在狭小、通风不良的地方使用本产品。通风不足会导致过热，从而可能损坏产品，甚至引起火灾。
- 如果本产品安装在 EIA 标准机架中，请仔细阅读本节“将本机安装到机架之前，请先阅读以下内容”，在第 155 页。通风不足会导致过热，从而可能损坏产品，发生故障，甚至引起火灾。
- 请勿将本产品放置在可能接触腐蚀性气体或含盐份空气的地方。否则可能导致故障。
- 移动本产品之前，请拔下所有连接的缆线。
- 请勿将缆线布设在可能有人绊倒的地方，例如，有人经过的地方。被缆线绊住可能导致人员跌倒或产品跌落，从而造成人身伤害或产品损坏。
- 请勿使用单独出售的 RM-MTL 安装配件将本产品固定在高于 2 米的天花板或墙面上。如果设备掉落，可能会造成人身伤害或产品损坏。
- 如果产品安装需要施工，请务必咨询合格的 Yamaha 维修人员。安装不当可能导致事故、人身伤害、产品损坏或发生故障。

请勿打开

- 本产品不含用户可维修的部件。请勿尝试拆卸内部部件或以任何方式对其进行改装。

防水警告

- 请勿让本产品淋雨或在靠近水的地方或潮湿环境中使用，或将盛有液体的容器（如花瓶、水瓶或玻璃杯）放在其上，否则可能会导致液体溅入任何开口。
- 请勿用湿手插拔缆线。

小心搬运

- 请勿将手指或双手插入本产品上的任何缝隙或开口（通风口等）。
- 请勿将身体重量全部压在本产品上，或在其上放置重物。

备用电池

- 请勿自行更换备用电池。否则可能会导致本产品发生爆炸和 / 或损坏。

须知

处理和维修

- 请勿将本产品直接连接到公共 Wi-Fi 和/或 Internet。只能通过具有强密码保护的路由器将本产品连接到 Internet。有关安全最佳实践的信息，请咨询您的路由器制造商。
- 请勿在电视、收音机或其他电子产品附近使用本产品。否则，本产品、电视或收音机可能会产生噪音。
- 请勿将本产品暴露于灰尘过多或剧烈振动、极冷或极热的环境中，以免面板变形、操作不稳定或内部组件损坏。
- 请勿安装在温度变化较大的地方。否则，可能会在本产品的内部或表面形成冷凝，导致产品破裂。
- 如果有理由相信可能发生冷凝，请在不开启电源的情况下将本产品放置数小时，直到冷凝完全变干，以防止发损坏。
- 请勿在本产品上放置乙烯基、塑料或橡胶物品，因为这可能导致面板发生变化或变色。
- 清洁本产品时，请使用柔软的干布。请勿使用油漆稀释剂、溶剂、清洗液或化学品浸渍的抹布，因为这可能会导致发生变化或变色。
- 包装中随附的橡胶垫可以连接到产品上，以防在光滑的表面上使用时滑动。

1.
 - 使用频率：2.4 - 2.4835 GHz
 - 等效全向辐射功率 (EIRP):
天线增益 < 10dBi 时: $\leq 100 \text{ mW}$ 或 $\leq 20 \text{ dBm}$
 - 最大功率谱密度:
天线增益 < 10dBi 时: $\leq 20 \text{ dBm} / \text{MHz}$ (EIRP)
 - 载频容限: 20 ppm
 - 带外发射功率 (在 2.4-2.4835GHz 频段以外)
 $\leq -80 \text{ dBm} / \text{Hz}$ (EIRP)
 - 杂散发射 (辐射) 功率 (对应载波 ± 2.5 倍信道带宽以外):
 $\leq -36 \text{ dBm} / 100 \text{ kHz}$ (30 - 1000 MHz)
 $\leq -33 \text{ dBm} / 100 \text{ kHz}$ (2.4 - 2.4835 GHz)
 $\leq -40 \text{ dBm} / 1 \text{ MHz}$ (3.4 - 3.53 GHz)
 $\leq -40 \text{ dBm} / 1 \text{ MHz}$ (5.725 - 5.85 GHz)
 $\leq -30 \text{ dBm} / 1 \text{ MHz}$ (其它 1 - 12.75 GHz)
2. 不得擅自更改发射频率、加大发射功率 (包括额外加装射频功率放大器), 不得擅自外接天线或改用其它发射天线;
3. 使用时不得对各种合法的无线电通信业务产生有害干扰; 一旦发现有害干扰现象时, 应立即停止使用, 并采取措施消除干扰后方可继续使用;
4. 使用微功率无线电设备, 必须忍受各种无线电业务的干扰或工业、科学及医疗应用设备的辐射干扰;
5. 不得在飞机和机场附近使用。
6. 本设备包含型号核准代码为: CMIIT ID: 2016DJ2356 的无线电发射模块。

信息

关于本产品附带的功能 / 数据



- 此为A级产品，在生活环境中，该产品可能会造成无线电干扰。在这种情况下，可能需要用户对干扰采取切实可行的措施。
- 有关本产品中使用的开源软件的许可条款，请访问下面的网站。
<https://download.yamaha.com/>
- 本产品使用 Dante Broadway。
有关特定软件的开源许可证的详细信息，请访问 Audinate 网站（英文）。
<https://www.audinate.com/software-licensing>
- XLR 类接头的接线方式如下所示（IEC60268 标准）：
引脚 1：接地，引脚 2：热 (+)，引脚 3：冷 (-)。



Bluetooth® 文字商标和徽标是 Bluetooth SIG, Inc. 的注册商标，Yamaha Corporation 对此类商标的任何使用均获得许可。

关于本说明书

- 本安装说明书使用以下信号词表示重要信息：

 警告	本内容表示“有重伤或死亡的风险”。
 注意	本内容表示“有受伤的风险”。
须知	表示为防止产品发生故障、损坏或操作不当以及数据丢失而必须遵守的内容。
重要事项	表示为正确操作和使用产品而必须知道的内容。
注	表示与操作和使用有关的信息。阅读以供参考。

- 本说明书中出现的插图仅用于说明目的。
- 本使用说明书中所使用的公司名和产品名都是各自公司的商标或注册商标。
- 软件如有变更和升级，恕不另行通知。
- 本使用说明书的内容为出版时最新的技术规格。要获取最新的说明书，请访问 Yamaha 网站，然后下载说明书文件。

关于废弃物处置

- 本产品包含可回收组件。处置本产品时，请联系当地有关部门。

产品中有害物质的名称及含量

部件名称	有害物质					
	铅 (Pb)	汞 (Hg)	镉 (Cd)	六价铬 (Cr (VI))	多溴联苯 (PBB)	多溴二苯醚 (PBDE)
外壳、框架	×	○	○	○	○	○
印刷线路板	×	○	○	○	○	○
电缆类	×	○	×	○	○	○

本表格依据 SJ/T 11364 的规定编制。

○：表示该有害物质在该部件所有均质材料中的含量均在 GB/T 26572 规定的限量要求以下。

×：表示该有害物质至少在该部件的某一均质材料中的含量超出 GB/T 26572 规定的限量要求。



此标识适用于在中华人民共和国销售的电器电子产品。标识中间的数字为环保使用期限的年数。

保护环境

如果需要废弃设备时，请与本地相关机构联系，获取正确的废弃方法。请勿将设备随意丢弃或作为生活垃圾处理。

简介

感谢您购买 RM-CR 信号处理器会议终端。该产品是一种信号处理器会议终端，可为在办公室中型会议室中举行的远程会议产生令人满意的高质量音频。使用产品前请务必阅读本说明书。请将本说明书存放在安全的地方，以备将来参考。

随附物品

- 安装说明书（本文档）
- 检修板（带螺钉）
- USB 缆线（A-B 型，5 米，用于语音通信）
- USB 缆线（A-micro B 型，1 米，用于安装）
- 橡胶支脚（4 个）

单独出售的物品

- **RM-MRK 安装配件**
在 19 英寸机架中安装产品时，需使用此配件。
有关连接 RM-MRK 的详细信息，请参阅“安装在机架中”（第 155 页）。
- **RM-MTL 安装配件**
在桌面底部安装本产品时，需使用此配件。
有关连接 RM-MTL 的详细信息，请参阅“桌面安装”（第 157 页）。

说明书结构

关于本产品，除本安装说明书外，还提供了以下材料。

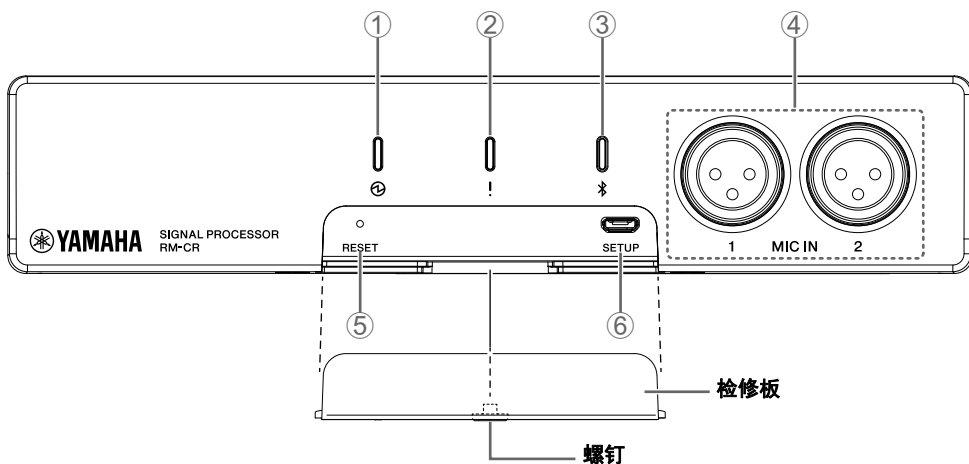
- **RM-CR 参考说明书**
其中介绍了此设备与外部设备之间的连接以及通过 Web UI 进行的设置。
相关文档可从以下网站下载。
<https://download.yamaha.com/>

控件和接头

前面板

此处的说明使用示意图来描绘产品的装运状态。

完成设置后，使用螺钉固定随附的检修板，确保无法触及 [RESET] 按钮和 [SETUP] 端口。有关每个指示灯的详细信息，请参见《RM-CR 参考说明书》。



① (电源) 指示灯

这是电源指示灯。向后面板 [Dante/PoE] 端口正确供电时，该指示灯亮起。

② ! (状态) 指示灯

指示设备的状态。

③ * (蓝牙) 按钮 / 指示灯

按下此按钮可通过蓝牙与智能手机配对。

连接到智能手机后，您可以与远程位置交换音频。

④ [MIC IN] 1/2 插孔

这些是 XLR 插孔（平衡），用于连接动圈式麦克风。请勿在此处连接电容式麦克风。

⑤ [RESET] 按钮

使用顶针等尖头物体按此按钮。

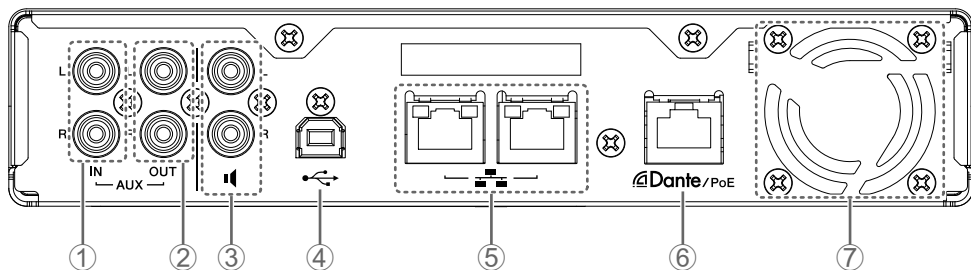
长按	状态指示灯	重置目标
4 秒以上，8 秒以下	每秒闪烁两次	网络相关设置
8 秒以上，12 秒以下	每秒闪烁三次	所有设置 (初始化后自动重启)

如果长按此按钮的时间不足 4 秒或超过 12 秒，则不会重置任何内容。

⑥ [SETUP] 端口

此端口用于连接计算机，以便通过 Web 浏览器进行设置。使用随附的 USB 缆线（A-micro B 型）进行连接。有关设置的详细信息，请参阅“RM-CR 参考说明书”。

后面板



① [AUX IN] L/R 插孔

这些是 RCA 插孔（非平衡），用于音频输入。如果来自远程位置的音频是模拟音频，请使用这些插孔。

② [AUX OUT] L/R 插孔

这些是 RCA 插孔（非平衡），用于音频输出。如果发往远程位置的音频是模拟音频，请使用这些插孔。

③ 扬声器插孔

这些是 RCA 插孔（非平衡），用于音频输出。如果在远程位置使用的有源扬声器或功率放大器不支持 Dante，请使用这些插孔。

④ USB 端口

在与计算机连接时，使用此端口可以与远程位置交换音频。

使用随附的 USB 缆线（A-B 型）进行连接。

⑤ 网络端口

这些是 RJ-45 端口，您可以将 LAN 缆线（CAT5e 或更高等级）连接到这些端口，以通过网络进行远程管理和设置等。

默认情况下指定 DHCP。如果要使用特定 IP 地址，请在连接到公司网络之前使用 Web UI 指定 IP 地址。有关设置的详细信息，请参阅“RM-CR 参考说明书”。

您还可以连接到公共网络，以通过 SIP 协议与远程位置交换音频。

须知：最大可用缆线长度为 100 米。

：为防止电磁干扰，请使用 STP（屏蔽双绞线）缆线。

⑥ [Dante/PoE] 端口

这是一个 RJ45 端口，您可以通过符合 IEEE802.3at 的 PoE 供电或 PoE 网络交换机将 LAN 缆线（CAT5e 或更高等级）连接到 Dante 设备（如 RM-CG）。

须知：除了 Dante 兼容的设备或支持千兆以太网设备（包括计算机）外，请勿在此处连接任何设备。

：最大可用缆线长度为 100 米。

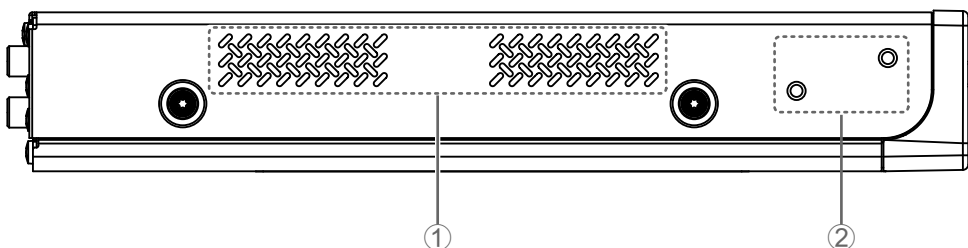
：为防止电磁干扰，请使用 STP（屏蔽双绞线）缆线。

⑦ 排气口

本产品配有散热风扇。热空气从这个排气口排出，所以请注意排气口不要被障碍物堵住。

侧面板

此处的说明使用左侧示意图（从正面看）。



① 进气口

冷空气从这个进气口进入，所以请注意进气口不要被障碍物堵住。您还要定期清洁此进气口。如果灰尘堆积在进气口，设备内部温度可能会升高，导致设备无法正常运行。

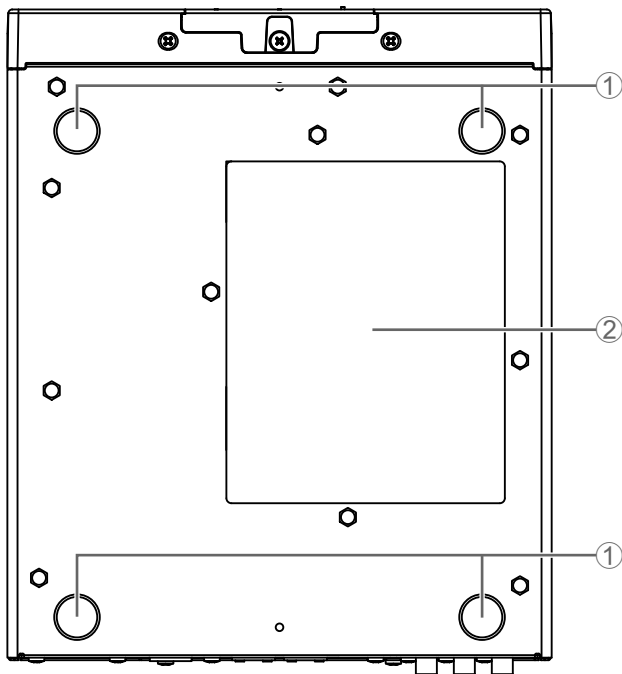
② 安装配件连接孔

在连接 RM-MRK 或 RM-MTL 安装配件时使用。

有关连接 RM-MRK 的详细信息，请参阅“安装在机架中”（第 155 页）。

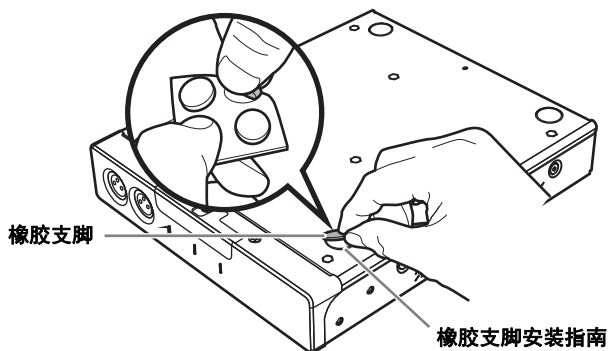
有关连接 RM-MTL 的详细信息，请参阅“桌面安装”（第 157 页）。

底面板



① 橡胶支脚安装指南

这些是连接随附橡胶支脚的位置。按示意图连接橡胶支脚。



② 产品标签

显示设备的型号名称、序列号和 MAC 地址。

安装在机架中

使用另售的 RM-MRK 安装配件安装本机。

将本机安装到机架之前，请先阅读以下内容

该产品应该在 0 - 40° C 的温度范围内运行。如果将本产品与其他设备一起安装在机架中，则可能由于各种设备产生的热量导致机架内的温度升高，从而导致产品无法正常工作。为防止设备内部温度升高，请按照以下要求将设备安装在机架中。

- 如果将本产品与易于发热的设备（例如功率放大器）安装在一起，请在本产品和其他设备之间留出至少 1U 的空间。另外，请确保通过安装通风面板或使其保持打开状态来在该空间中保持足够的通风。
- 使机架的后面板保持开放状态，并确保机架与墙壁或天花板至少有 10 厘米的距离，以确保足够的空气流通。如果您无法打开机架的后面板，请安装市面上销售的强制通风设备，例如风扇套件。如果安装风扇套件，则关闭后面板可能会更好地达到散热目的。有关更多信息，请参阅机架和 / 或风扇套件的用户手册。



注意：如果您打算重新放置机架，请确保首先从机架上卸下本机。

如果在将本产品安装在机架中时移动本产品，则振动等因素可能会导致安装附件变形或破裂，从而可能造成伤害。本机也有可能发生故障。

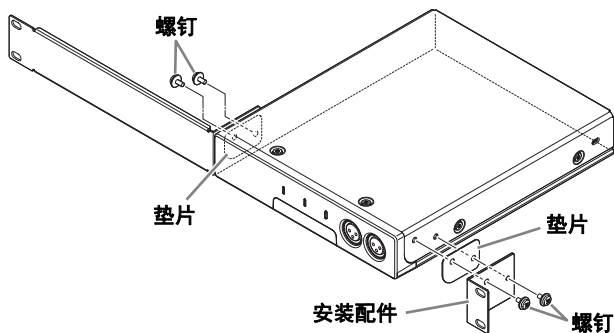
[安装]

此处显示的示例是从正面看，将长金属固定装置连接到左侧时的情况。将长金属固定装置固定到另一侧时，也可以使用该步骤。

须知： 如果附带的橡胶支脚已经安装到本机上，请卸下它们。

1. 固定每个金属固定装置时，请将隔板包括在本机和金属固定装置之间。

使用安装附件随附的固定螺钉（4 个），将金属固定装置固定在本机的两侧。

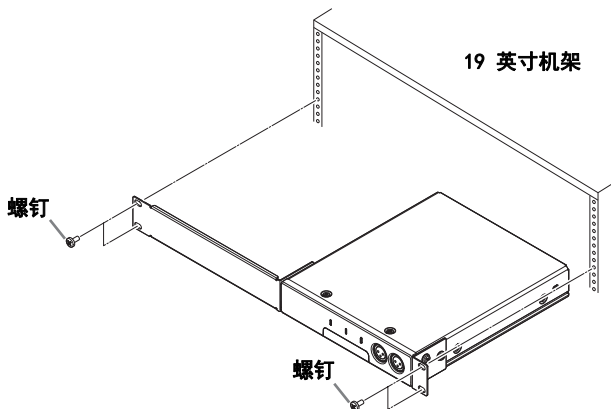


警告： 只能使用安装附件随附的指定螺钉。

如果设备掉落，可能会造成人身伤害或产品损坏。这也可能导致电击或故障。

2. 将金属固定装置连接到 19 英寸机架。

使用机架附带的四颗固定螺钉将金属固定装置固定到 19 英寸机架上。确保拧紧螺丝，以免松动。



桌面安装

使用另售的 RM-MTL 安装配件安装本机。

获得四个直径约 5 毫米（相当于 M5）的螺钉，这些螺钉要适合桌面的材料和厚度。
通过步骤 4 进行安装。



警告：请勿将本产品连接到桌面下面。

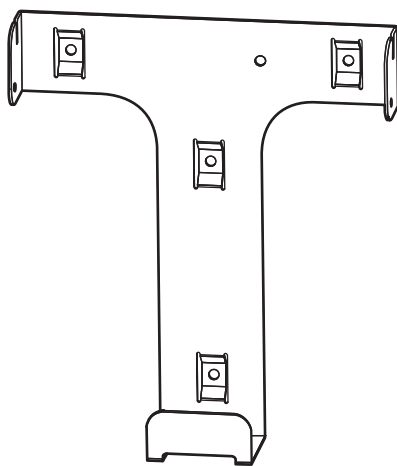
如果设备掉落，可能会造成人身伤害或产品损坏。



注意：安装必须由合格的安装人员执行。在安装过程中，请注意以下几点。

- 选择能够支撑本机重量的硬件和位置
- 避免受到持续振动的地方
- 您必须使用指定的安装附件
- 进行定期维护检查

1. 使用四颗直径约 5 毫米的市售螺钉将金属固定装置固定到桌面的下面。



在上图中，上部朝前。

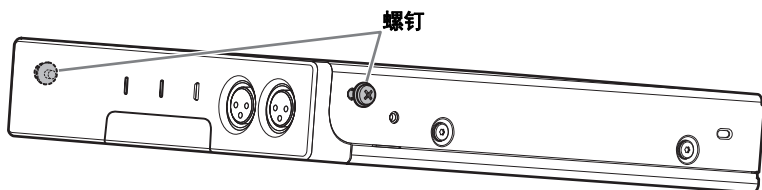


警告：您必须使用适合桌面材料的螺钉。

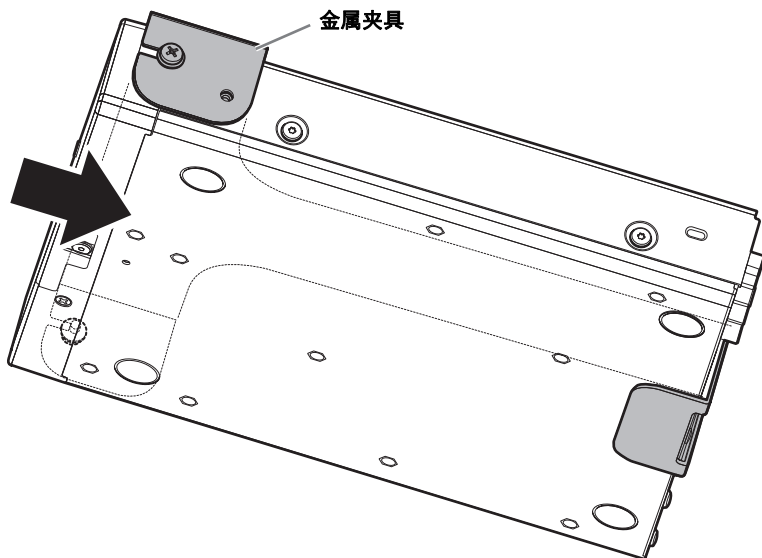
如果设备掉落，可能会造成人身伤害或产品损坏。

2. 将附带的两个螺钉临时安装到本产品的安装附件安装孔的前孔中。

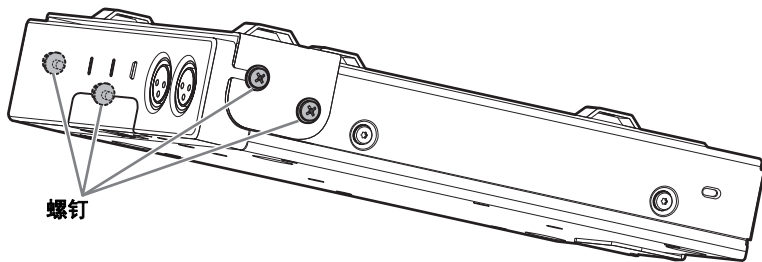
这样做时，请在设备侧面和螺钉头部之间留出约 2 毫米的间隙，以便螺钉可以与金属固定装置啮合。



3. 滑动设备，使您在步骤 2 中临时安装的螺钉与固定在桌面下方的金属固定装置的插槽啮合。



4. 拧紧安装附件安装孔中的四颗螺钉。



主要规格

一般规格

尺寸	宽 215 mm × 深 264 mm × 高 44 mm	
重量	1.6 kg	
电源	IEEE802.3at (Dante/PoE 端口), 48V 直流电	
最大功率	15.0 W	
温度	工作	0 °C - 40 °C
	存储	-20° C - 60 °C
湿度	工作	30% - 90% (非冷凝)
	存储	20% - 90% (非冷凝)
指示灯	<ul style="list-style-type: none">• 电源• 状态• 蓝牙• 网络端口指示灯 (3 个)	
随附物品	安装说明书 (本文档), 检修面板 (带螺钉), USB 缆线 (A-B 型), USB 缆线 (A-micro B 型), 支脚 (橡胶支脚) (4 个)	
单独出售的物品	安装配件: RM-MTL 安装配件: RM-MRK	

音频规格

频率响应		20 Hz - 20 kHz	
采样率		48 kHz	
位深		24 位	
延迟		8 [ms] (Dante 输入到 USB 输出、包括信号处理)	
音频接口	Dante	16 输入 × 16 输出	
	USB	USB2.0 B 型, 音频类 1.0 输入: 2ch, 输出: 2ch(48 kHz)	
	麦克风输入	XLR 平衡, 输入 2ch	
	AUX	RCA 非平衡 (线路电平), 输入: 2ch, 输出: 2ch	
	扬声器输出	RCA 非平衡 (线路电平), 输出: 2ch	
	蓝牙	版本 4.2 支持的协议: HFP (1.6), A2DP, AVRCP (1.6) 支持的编解码器: CVSD, SBC, mSBC 无线输出: 2 类 最大通信距离: 10 米 (无障碍物) 无线频率 (工作频率): 2,402 - 2,480 MHz 最大输出功率 (EIRP): 4.0 dBm (2.5 mW)	
	SIP	呼叫处理	拨号, 接听, 保持, 恢复, 转移, 勿扰, 来电显示, 语音邮件通知 (已配置开关)
		呼叫桥接	支持桥接 SIP、USB、BT 和 AUX 呼叫。加入, 拆分, 保持, 恢复, 5+1 线路: 最多 2 个 SIP 呼叫, 1 个 USB 呼叫, 1 个蓝牙呼叫, 1 个 AUX 呼叫以及用户呼叫
		编解码器	G.711, G.722HD, G.729ab, G.726
		支持 DTMF	RTP 事件, SIP 带内, SIP 信息包
安全		SRTP 支持 (RFC 1889), IETF SIP 支持 (RFC 3261 和配套 RFC)	

网络规格

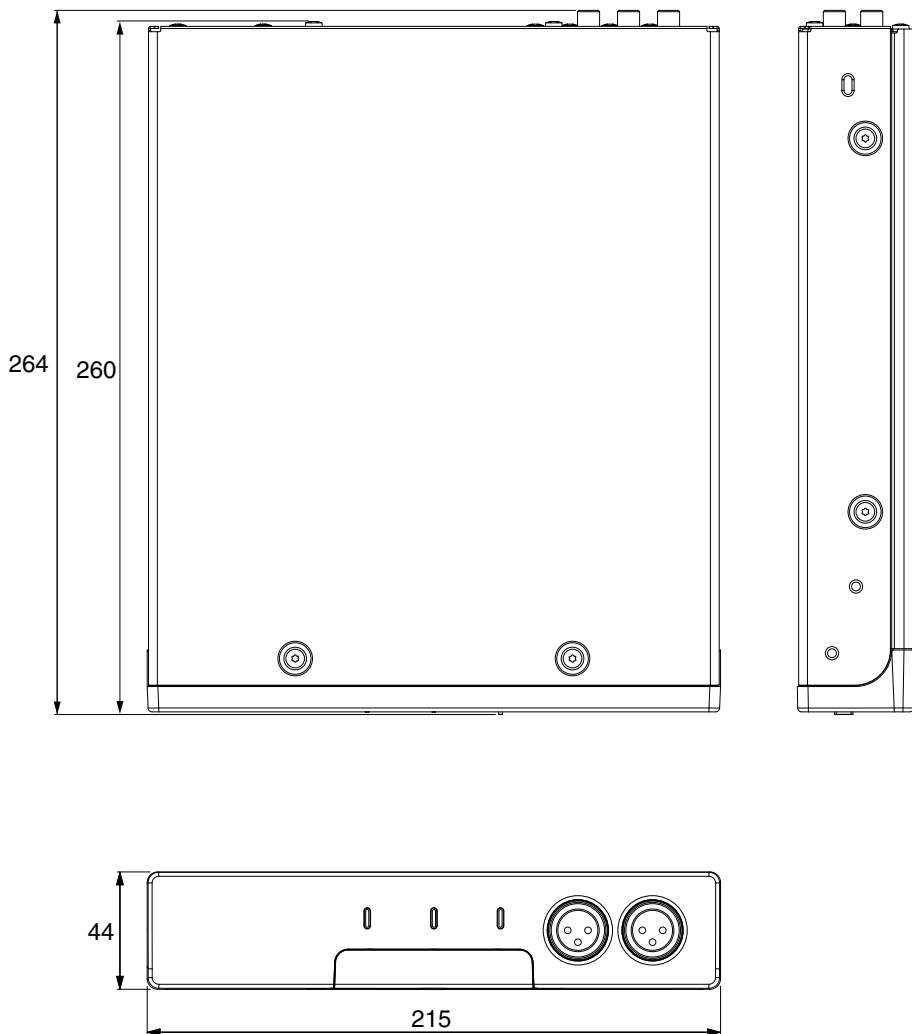
[Dante/PoE] 端口	Dante Audio/Dante Control, 远程控制, WebUI, 支持 PoE+ 缆线要求: Cat 5e 或更高规格、STP
网络端口	公司网络, 远程控制, SIP, WebUI 缆线要求: Cat 5e 或更高规格、STP
[SETUP] 端口	USB2.0 micro, 网络类, WebUI, 固定 IP 缆线要求: USB 缆线 (A-micro B 型)

输入 / 输出特性

输入端子	实际负载阻抗	用于标称	输入电平		接头
			额定	限幅前的最大值	
MIC IN 1, 2	2.2 k Ω	50 - 600 Ω	-46 dBu	-26 dBu	XLR-3-31 (平衡)
AUX IN L, R	20 k Ω	1 k Ω	-14 dBV	+6 dBV	RCA PIN

输出端子	实际源阻抗	用于标称	输出电平		接头
			额定	限幅前的最大值	
AUX OUT L, R	1 k Ω	10 k Ω	-14 dBV	+6 dBV	RCA PIN
SP OUT L, R	1 k Ω	10 k Ω	-14 dBV	+6 dBV	RCA PIN

尺寸图



单位：mm

목차

안전 주의사항	164
주의사항	166
정보	167
소개	169
부속품	169
별매 항목	169
설명서 구조	169
컨트롤 및 커넥터	170
전면 패널	170
후면 패널	172
측면 패널	173
바닥 패널	174
랙에 설치	175
책상에 설치	177
주요 사양	179
치수도	182

본 제품의 모델 번호, 일련 번호, 전원 규격 등은 기기 밑면에 있는 명판이나 명판 주위에서 확인할 수 있습니다. 도난 시 확인할 수 있도록 일련 번호를 아래 공란에 기입하고 본 사용설명서를 구매기록으로 영구 보관해야 합니다.

모델 번호

일련 번호

(bottom_ko_01)

안전 주의사항

진행하기 전에 반드시 읽어 주십시오

나중에 참고할 수 있도록 이 설명서는 안전한 곳에 보관해 주십시오 .

Yamaha 는 부적절하게 제품을 사용하거나 개조하여 발생한 손상 , 또는 데이터 손실이나 파손에 대해 책임지지 않습니다 .

경고

감전, 회로 단락, 손상, 화재 또는 기타 위험으로부터 심각한 부상을 당하거나 사망하지 않도록 하기 위해서는 아래에 열거된 기본적인 안전 주의사항에 반드시 따라 주십시오 . 이들 안전 주의사항에는 다음과 같은 것을 포함하지만 그것으로 한정하지는 않습니다 :

화재 경고

- 제품 근처에 연소성 물품이나 불꽃을 놓지 마십시오 . 화재가 발생할 수 있습니다 .

청력 손실

- 전원을 켜고 끄기 전에는 음량을 최소로 낮추십시오 . 그렇지 않으면 청력 손실, 감전 또는 기기 손상의 문제가 발생할 수 있습니다 .
- 오디오 시스템의 AC 전원을 켜 때는 청력 손실 및 스피커 손상 문제가 발생하지 않도록 파워 앰프를 항상 제일 마지막에 켜십시오 . 이와 마찬가지로 전원을 끌 때는 파워 앰프를 제일 먼저 꺼야 합니다 .

무선 기기

- 본 제품을 의료 장치 근처나 의료 시설 내에서 사용하지 마십시오 . 본 제품에서 방출되는 무선 파는 전자 의료기기에 영향을 미칠 수 있습니다 .
- 심박조절기 또는 제세동기를 이식한 사람이 있을 경우 15 cm (6in) 이내에서는 본 제품을 사용하지 마십시오 . 본 제품에서 방출되는 무선파는 이식용 심박조율기 또는 제세동기와 같은 전자 의료기기에 영향을 미칠 수 있습니다 .

주의

여러분들 또는 타인의 신체적 부상 가능성을 피하기 위해서는 아래에 열거된 기본적인 안전 주의사항에 반드시 따라 주십시오 . 이들 안전 주의사항에는 다음과 같은 것을 포함하지만 그것으로 한정하지는 않습니다 :

이상 징후 발견 시

- 다음 문제 중 하나라도 발생하는 경우 즉시 PoE 인젝터 또는 PoE 네트워크 스위치의 전원을 끄고 , 케이블을 분리하십시오 .
 - LAN 케이블이 손상된 경우
 - 이상한 냄새 또는 연기가 배출되는 경우
 - 제품 내로 이물질이나 물이 들어간 경우
 - 제품 사용 중 음향이 갑작스럽게 상실된 경우
 - 제품에 금이 갔거나 가시적인 손상이 나타난 경우그렇게 한 후에 공식 Yamaha 서비스 담당자에게 검사나 수리를 요청하십시오 .

위치 및 접속

- 이 제품을 PoE 인젝터 또는 PoE 네트워크 스위치와 연결할 때는 IEEE 802.3at 표준의 최대 전원 공급 전압 (57V) 을 지원하는 CAT5e 이상의 LAN 케이블을 사용하십시오. 사양에 따르지 않는 케이블을 연결하거나, 플랫 타입 또는 슬림 타입 케이블을 연결하면 화재 또는 오작동이 발생할 수 있습니다.
- LAN 케이블은 손상시키지 마십시오. 이들 안전 주의사항을 준수하지 않으면 화재, 감전 또는 제품 손상을 초래할 수 있습니다.
 - 케이블 위에 무거운 물체를 올려두지 마십시오.
 - 어떤 방식으로든 케이블을 가공하지 마십시오.
 - 케이블을 정해진 위치에 고정하기 위해 스테이플을 사용하지 마십시오.
 - 케이블에 과도한 힘을 가하지 마십시오.
 - 케이블은 뜨거운 것 가까이에 두지 마십시오.
- 우발적으로 쓰러져서 부상을 초래할 수 있으므로 제품을 불안정한 곳이나 진동이 과도한 곳에 두지 마십시오.
- 본 제품은 어린이의 손이 닿지 않는 곳에 두십시오. 본 제품은 어린이 등이 있는 곳에서 사용하기에는 적절하지 않습니다.
- 환기구를 막지 마십시오. 본 제품의 후면/측면에는 환기구가 있어 내부 온도가 지나치게 상승하는 것을 막아 줍니다. 특히, 제품을 옆으로 설치하거나 위아래를 거꾸로 설치하지 마십시오. 환기가 부적절하면 과열되어 제품 손상이나 화재를 유발할 수도 있습니다.
- 제품 설치 시 :
 - 천으로 덮지 마십시오.
 - 카펫이나 양탄자 위에 설치하지 마십시오.
 - 상단면이 위쪽을 향하도록 하십시오. 측면으로 설치하거나 거꾸로 설치하지 마십시오.
 - 좁고 사방이 막혀 있으며 잘 환기되지 않는 장소에서 제품을 사용하지 마십시오. 환기가 부적절하면 과열되어 제품 손상이나 화재를 유발할 수도 있습니다.
- 제품이 EIA 표준 랙에 장착된 경우에는 “기기를 랙에 장착하기 전에 읽으십시오” (175 페이지) 섹션을 주의깊게 읽어 주십시오. 환기가 부적절하면 과열되어 제품 손상, 오작동 또는 화재를 초래할 수 있습니다.
- 부식성 가스나 염기와 접촉할 수 있는 장소에 제품을 두지 마십시오. 오작동이 발생할 수 있습니다.
- 제품을 이동시키기 전에 연결된 모든 케이블을 제거하십시오.
- 사람들이 지나다니는 곳 등 케이블에 걸려서 넘어질 수 있는 곳에 케이블이 지나가지 않도록 하십시오. 케이블에 걸리면 사람 또는 본 제품이 넘어져서 인적 부상 또는 제품 손상을 초래할 수 있습니다.
- 2미터 이상인 높이의 천장 또는 벽에 기기를 부착하기 위해서는 별매의 RM-MTL 장착 액세서리를 사용하지 마십시오. 기기가 떨어지면 부상을 입거나 제품이 손상될 수 있습니다.
- 제품 설치에 공사가 필요한 경우에는 반드시 공식 Yamaha 서비스 담당자에게 상의해 주십시오. 적절하게 설치하지 않으면 사고, 부상, 본 제품의 손상 또는 오작동을 초래할 수 있습니다.

열지 마십시오

- 본 제품에는 사용자가 수리할 수 있는 부품이 없습니다. 어떤 방식으로든 내부 부품을 분해하거나 개조하려고 하지 마십시오.

침수 경고

- 비에 젖지 않도록 하고, 물 또는 습기가 많은 장소에서 사용하거나 담겨있는 액체가 입구 등의 부위로 쏟아질 우려가 있는 용기 (예 : 화병, 병 또는 유리컵) 를 본 제품에 올려놓지 않도록 하십시오 .
- 절대로 젖은 손으로 케이블을 꽂거나 빼지 마십시오 .

취급상 주의

- 제품의 틈이나 입구 (환기구 등) 에 손가락 또는 손을 넣지 마십시오 .
- 제품에 체중을 실거나 무거운 물체를 올려두지 마십시오 .

백업 배터리

- 여러번 스스로 배터리를 교체하지 마십시오 . 그렇게 하면 제품의 폭발 및 / 또는 손상을 초래할 수 있습니다 .

주의사항

취급 및 유지보수

- 본 제품은 공용 Wi-Fi 및 / 또는 인터넷에 직접 연결하지 마십시오 . 패스워드 보호 기능이 강력한 라우터를 통해서만 인터넷에 본 제품을 연결해 주십시오 . 보안에 대한 최적의 사례에 관한 정보는 라우터 제조사에 문의해 주십시오 .
- TV, 라디오 또는 기타 전자제품 부근에서 본 제품을 사용하지 마십시오 . 그렇게 하지 않으면 제품, TV 또는 라디오에 노이즈가 발생할 수 있습니다 .
- 패널의 미관을 해치거나, 조작이 불안정해지거나, 내부 구성부품이 손상되는 것을 방지하기 위해서는 제품이 과도한 먼지나 진동 또는 매우 춥거나 더운 곳에 노출되지 않도록 하십시오 .
- 기온 변화가 심한 곳에는 설치하지 마십시오 . 그렇게 하지 않으면 제품 내부 또는 표면이 응결되어서 고장의 원인이 됩니다 .
- 응결되었다고 여겨지는 이유가 있다면 손상을 방지하기 위해 응결이 완전히 제거될 때까지 전원을 켜지 않은 상태로 여러 시간 제품을 방치해 주십시오 .
- 패널의 변형 또는 변색을 유발할 수 있으므로 본 제품 위에 비닐, 플라스틱 또는 고무 제품을 올려두지 마십시오 .
- 제품을 닦을 때는 부드럽고 마른 천을 사용하십시오 . 변형 또는 변색을 유발할 수 있으므로 페인트 시너, 용제, 세척액 또는 화학적으로 침윤된 걸레를 사용하지 마십시오 .
- 미끄러운 곳에서 사용하는 경우에는 본 패키지에 부속된 고무 다리를 사용해서 제품이 미끄러지는 것을 방지할 수 있습니다 .

정보

제품에 부착된 기능 / 데이터에 관해서



- 이 기기는 업무용 환경에서 사용할 목적으로 적합성평가를 받은 기기로서 가정용 환경에서 사용하는 경우 전파간섭의 우려가 있습니다 .
- 본 제품에 사용되는 오픈 소스 소프트웨어의 인허가 조건에 관해서는 아래 웹사이트를 참조하십시오 .
<https://download.yamaha.com/>
- 본 제품은 Dante Broadway 를 사용합니다 .
특정 소프트웨어에 관한 오픈 소스 라이선스에 관한 자세한 내용은 Audinate 웹사이트 (영문) 를 참조하십시오 .
<https://www.audinate.com/software-licensing>
- XLR- 타입 커넥터는 아래와 같이 배선합니다 (IEC60268 표준) :
핀 1: 접지 , 핀 2: 핫 (+), 및 핀 3: 콜드 (-).



Bluetooth® 마크 및 로고는 Bluetooth SIG, Inc. 의 등록상표이며 , Yamaha Corporation 은 라이선스 계약 하에 해당 마크를 사용하고 있습니다 .

본 설명서에 관해서

- 본 설치설명서는 중요한 정보에 대해 다음과 같은 표시 단어를 사용합니다 :

 경고	이 사항은 “ 중상 또는 사망의 위험 ” 을 의미합니다 .
 주의	이 사항은 “ 부상의 위험 ” 을 의미합니다 .
주의사항	제품 고장 , 손상 , 오작동 방지 및 데이터 손실을 피하기 위해 준수해야 하는 사항을 나타냅니다 .
중요	제품을 올바르게 조작하고 사용하기 위해 알아야 하는 사항을 나타냅니다 .
주	조작과 사용에 관련된 정보를 나타냅니다 . 참고용으로 읽어 주십시오 .

- 본 사용설명서에 수록된 그림은 설명 용도로만 사용됩니다 .
- 본 사용설명서에 기재된 회사명과 제품명은 각 회사의 상표 또는 등록 상표입니다 .
- 소프트웨어는 사전 예고 없이 수정 및 업데이트할 수 있습니다 .
- 본 설명서의 내용은 발행일 현재 최신 사양을 기준으로 하고 있습니다 . 최신 설명서를 얻으려면 Yamaha 웹사이트에 액세스한 후 설명서 파일을 다운로드해 주십시오 .

폐기에 관해서

- 본 제품에는 재활용할 수 있는 구성부품이 포함되어 있습니다 . 본 제품을 폐기할 때에는 해당 지자체에 연락해 주십시오 .

해당 무선 설비는 운용 중 전파혼신 가능성이 있음 .

소개

RM-CR 신호 프로세서를 구입해 주셔서 감사합니다. 이 제품은 사무실의 중간 규모의 회의실에서 개최되는 원격 회의를 위한 고품질의 쾌적한 오디오를 생성하는 신호 프로세서입니다. 제품을 사용하기 전에 이 설명서를 반드시 읽으십시오. 나중에 참고할 수 있도록 이 설명서를 안전한 곳에 보관하십시오.

부속품

- 설치설명서 (본 문서)
- 액세스 패널 (나사 포함)
- USB 케이블 (A-B 타입, 5 미터, 음성통신용)
- USB 케이블 (A-micro B 타입, 1 미터, 셋업용)
- 고무 다리 (4 개)

별매 항목

• RM-MRK 장착 액세스리

19 인치 랙에 제품을 설치할 때 필요합니다.

RM-MRK 부착에 대한 자세한 내용은 “랙에 설치” (175 페이지) 를 참조하십시오.

• RM-MTL 장착 액세스리

책상 아래에 제품을 설치할 때 필요합니다.

RM-MTL 부착에 대한 자세한 내용은 “책상에 설치” (177 페이지) 를 참조하십시오.

설명서 구조

이 제품과 관련하여 이 설치설명서 외에도 다음 자료를 사용할 수 있습니다.

• RM-CR 참고설명서

이 장치와 외부 장치 간의 연결 및 웹 UI 를 통한 설정에 대해 설명합니다.

관련 문서는 다음 웹 사이트에서 다운로드할 수 있습니다.

<https://download.yamaha.com/>

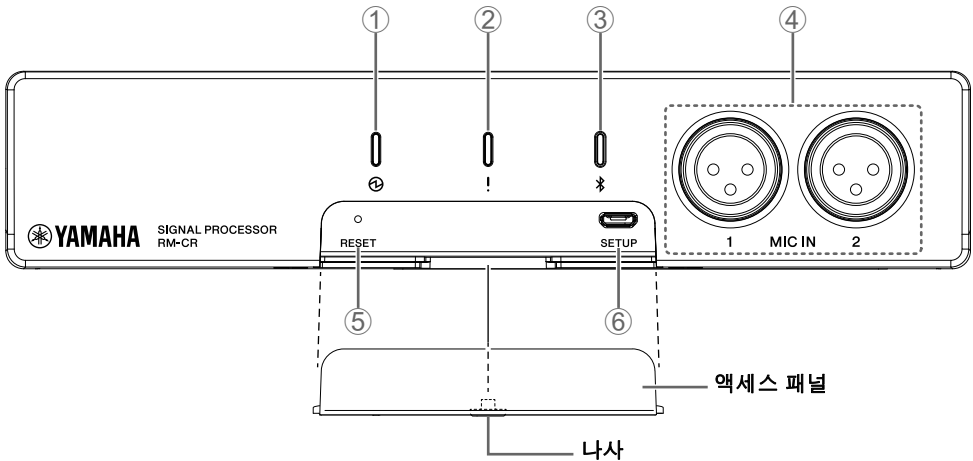
컨트롤 및 커넥터

전면 패널

여기 설명에서는 제품이 선적된 상태를 나타내는 그림을 사용합니다.

설정한 후에는 나사를 사용하여 [RESET] 버튼과 [SETUP] 포트에 접근할 수 없도록 포함된 액세스 패널을 조이십시오.

각 표시등에 대한 자세한 내용은 “RM-CR 참고설명서” 를 참고하십시오.



① (전원) 표시등

전원공급 표시등입니다. 후면 패널 [Dante/PoE] 포트에 전원이 올바르게 공급되면 켜집니다.

② !(상태) 표시등

기기의 상태를 나타냅니다.

③ * (Bluetooth) 버튼 / 표시등

Bluetooth 를 통해 스마트 폰과 페어링하려면 누릅니다.

스마트 폰에 연결하면 원격지와 오디오를 교환할 수 있습니다.

④ [MIC IN] 1/2 잭

다이내믹 마이크 연결을 위한 XLR 잭 (밸런스드) 입니다 . 콘덴서 마이크를 여기에 연결하지 마십시오 .

⑤ [RESET] 버튼

이젝트 핀과 같은 뾰족한 물체를 사용하여 이 버튼을 누르십시오 .

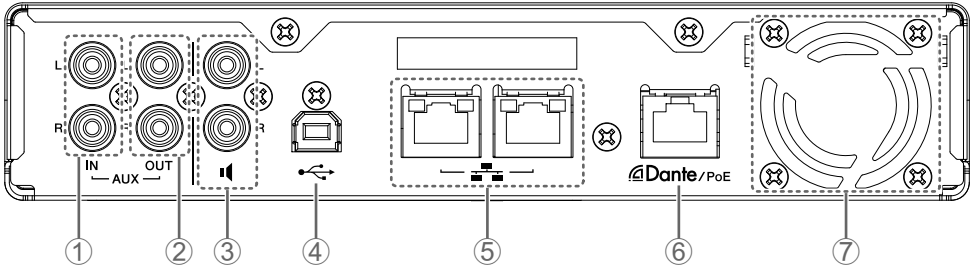
길게 누르기	상태 표시등	리셋 대상
4 초 -8 초 미만	초당 두 번 깜빡임	네트워크 관련 설정
8 초 -12 초 미만	초당 두 세 깜빡임	모든 설정 (초기화 후 자동으로 재시작)

이 버튼을 4 초 미만 또는 12 초 이상 길게 누르면 아무것도 리셋되지 않습니다 .

⑥ [SETUP] 포트

이 포트는 웹 브라우저를 통해 설정을 할 수 있도록 컴퓨터에 연결하기 위한 것입니다 . 이 연결에는 포함된 USB 케이블 (A-micro B 타입) 을 사용하십시오 . 설정에 대한 자세한 내용은 “RM-CR 참고설명서 ” 를 참고하십시오 .

후면 패널



① [AUX IN] L/R 잭

오디오 입력용 RCA 잭 (언밸런스드) 입니다. 원격지에서 오는 오디오가 아날로그인 경우 이 잭을 사용하십시오.

② [AUX OUT] L/R 잭

오디오 출력용 RCA 잭 (언밸런스드) 입니다. 원격지로 가는 오디오가 아날로그인 경우 이 잭을 사용하십시오.

③ 스피커 잭

오디오 출력용 RCA 잭 (언밸런스드) 입니다. 원격지에서 사용되는 파워 스피커 또는 파워 앰프가 Dante 를 지원하지 않는 경우 이 잭을 사용하십시오.

④ USB 포트

컴퓨터에 연결하여 원격지와 오디오를 교환할 때 이 포트를 사용하십시오.
이 연결에는 포함된 USB 케이블 (A-B 타입) 을 사용하십시오.

⑤ 네트워크 포트

회사 네트워크 등을 통한 원격 관리 및 설정을 위해 LAN 케이블 (CAT5e 이상) 을 연결할 수 있는 RJ-45 포트입니다.

DHCP 가 기본 설정으로 지정되어 있습니다. 특정 IP 주소를 사용하려면 회사 네트워크에 연결하기 전에 웹 UI 를 사용하여 IP 주소를 지정하십시오. 설정에 대한 자세한 내용은 “RM-CR 참고설명서” 를 참고하십시오.

SIP 프로토콜을 통해 원격지와 오디오를 교환하기 위해 공용 네트워크에 연결할 수도 있습니다.

주의사항 : 사용 가능한 최대 케이블 길이는 100 미터입니다.

: 전자기 간섭을 방지하려면 STP(차폐연선) 케이블을 사용하십시오.

⑥ [Dante/PoE] 포트

이 포트는 IEEE802.3at 호환 PoE 인젝터 또는 PoE 네트워크 스위치를 통해 RM-CG와 같은 Dante 기기에 LAN 케이블 (CAT5e 이상) 을 연결할 수 있는 RJ45 포트입니다 .

주의사항 : Dante 호환 장치 이외의 장치나 기가비트 이더넷을 지원하는 장치 (컴퓨터 포함) 를 여기에 연결하지 마십시오 .

· 사용 가능한 최대 케이블 길이는 100 미터입니다 .

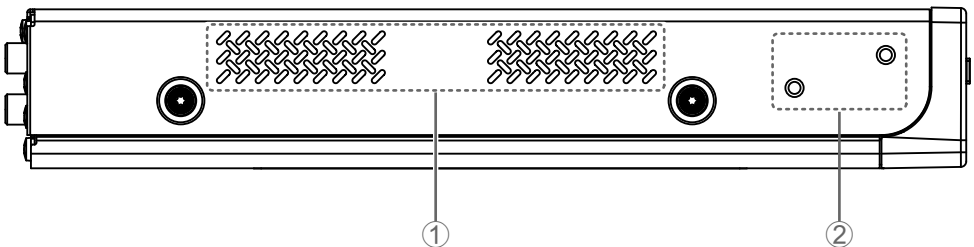
· 전자기 간섭을 방지하려면 STP(차폐연선) 케이블을 사용하십시오 .

⑦ 배기구

이 제품에는 냉각팬이 장착되어 있습니다 . 이 통풍구에서 뜨거운 공기가 배출되므로 통풍구가 장애물로 막히지 않도록 주의하십시오 .

측면 패널

이 설명은 정면에서 본 왼쪽의 그림을 사용합니다 .



① 흡기구

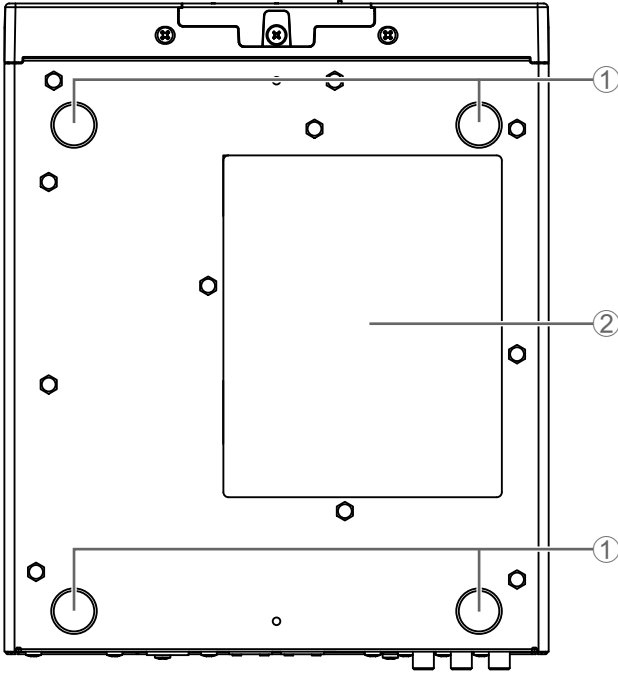
이 통풍구를 통해 차가운 공기가 유입되므로 통풍구가 장애물로 막히지 않도록 주의하십시오 . 또한 이 통풍구를 정기적으로 청소해야 합니다 . 이 통풍구에 먼지가 쌓이면 기기 내부 온도가 상승하여 기기가 정상적으로 작동하지 않을 수 있습니다 .

② 장착 액세서리 부착 구멍

RM-MRK 또는 RM-MTL 장착 액세서를 부착할 때 사용하십시오 .

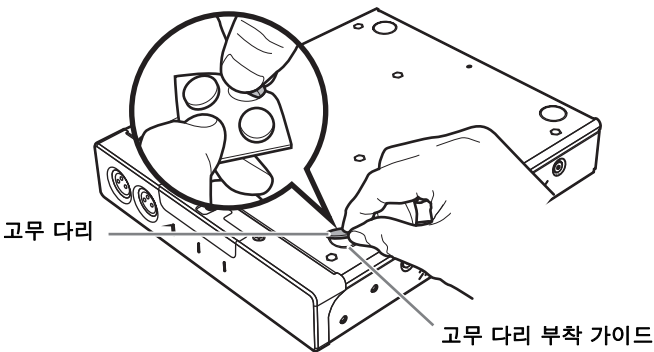
RM-MRK 부착에 대한 자세한 내용은 “ 랙에 설치 ” (175 페이지) 를 참고하십시오 .

RM-MTL 부착에 대한 자세한 내용은 “ 책상에 설치 ” (177 페이지) 를 참고하십시오 .



① 고무 다리 부착 가이드

포함된 고무 다리를 부착하는 위치입니다. 포함된 고무 다리를 그림과 같이 부착하십시오.



② 제품 라벨

기기의 모델명, 일련번호 및 MAC 주소가 표시됩니다.

랙에 설치

별도로 판매되는 RM-MRK 장착 액세서리를 사용하여 기기를 설치하십시오 .

기기를 랙에 장착하기 전에 읽으십시오

이 제품은 0-40°C 의 온도 범위에서 작동을 보증합니다 . 이 제품을 다른 장치와 함께 랙에 장착하면 여러 장치의 열로 인해 랙 내부의 온도가 상승하여 제품이 제대로 작동하지 않을 수 있습니다 . 기기 내부 온도가 상승하는 것을 방지하려면 아래 요구 사항에 따라 기기를 랙에 장착하십시오 .

- 이 제품을 파워 앰프와 같이 열이 발생하기 쉬운 장치와 함께 장착하는 경우 제품과 다른 장치 사이에 최소 1U 의 공간을 두십시오 . 또한 환기 패널을 설치하거나 열린 상태로 두어 이 공간에 충분한 환기를 유지하십시오 .
- 랙의 후면 패널을 열어두고 충분한 공기 순환을 위해 랙이 벽이나 천장에서 10cm 이상 떨어져 있는지 확인하십시오 . 랙의 후면 패널을 열 수 없는 경우 팬 키트와 같이 시중에서 판매하는 강제 환기 장치를 설치하십시오 . 팬 키트를 설치하는 경우 후면 패널을 닫으면 방열 목적에 더 적합할 수 있습니다 . 자세한 내용은 랙 및 / 또는 팬 키트의 사용설명서를 참고하십시오 .

주의 : 랙을 재배치하려는 경우 먼저 랙에서 기기를 분리하십시오 .



랙에 장착한 상태에서 제품을 옮기면 진동 등으로 인해 장착 액세서리가 변형되거나 파손되어 부상을 입을 수 있습니다 . 본 기기가 오작동 할 수도 있습니다 .

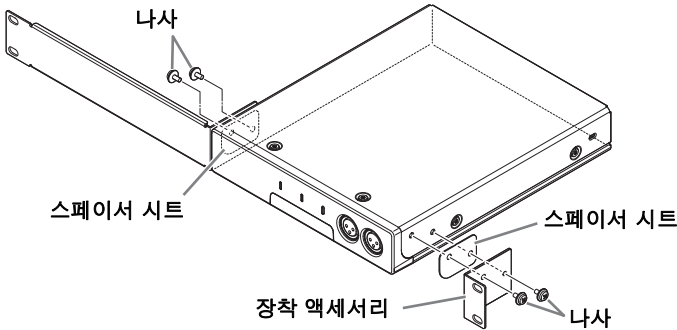
[설치]

여기에 표시된 예는 긴 금속 고정구가 정면에서 보았을 때 왼쪽에 부착된 경우입니다. 긴 금속 고정구를 반대쪽에 부착할 때도 이 절차를 사용할 수 있습니다.

주의사항: 포함된 고무 다리가 이미 기기에 부착되어 있으면 제거하십시오.

1. 각 금속 고정구를 부착할 때 이 기기와 금속 고정구 사이에 포함된 스페이서 시트를 놓으십시오.

장착 액세서리와 함께 제공된 부착 나사 (4 개) 를 사용하여 금속 고정구를 본 장치의 각 측면에 고정하십시오.

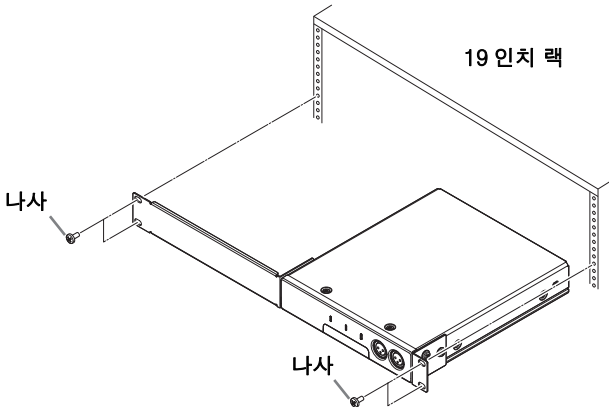


경고: 장착 액세서리와 함께 제공된 지정된 나사만 사용하십시오.

기기가 떨어지면 부상을 입거나 제품이 손상될 수 있습니다. 감전이나 오작동을 유발할 수도 있습니다.

2. 금속 고정구를 19 인치 랙에 부착하십시오.

4 개의 랙 부착 나사를 사용하여 금속 고정구를 19 인치 랙에 부착하십시오. 나사가 느슨해지지 않도록 단단히 조이십시오.



책상에 설치

별도로 판매되는 RM-MTL 장착 액세서리를 사용하여 기기를 설치하십시오 .
데스크탑의 재료와 두께에 적합한 직경이 약 5mm (M5 상당) 인 나사 4 개를 준비합니다 .
4 단계를 통해 설치를 수행하십시오 .



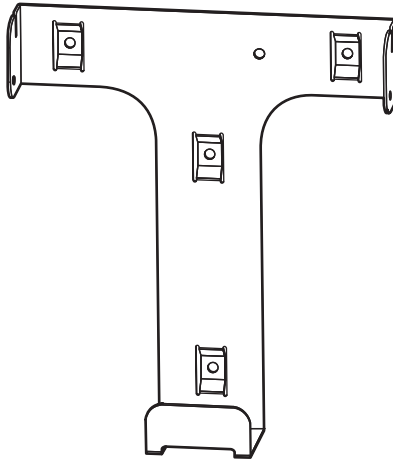
경고 : 이 제품을 데스크탑 밑면 이외의 곳에 부착하지 마십시오 .
기기가 떨어지면 부상을 입거나 제품이 손상될 수 있습니다 .

주의 : 자격을 갖춘 설치자가 설치를 수행해야 합니다 . 설치하는 동안 다음 사항에 주의하십시오 .



- 이 기기의 무게를 지탱할 수 있는 하드웨어와 위치를 선택하십시오
- 진동이 지속되는 장소는 피하십시오
- 지정된 설치 액세서리를 사용해야 합니다
- 정기적인 유지보수 점검을 실시하십시오

1. 직경이 약 5mm 인 4 개의 시판 나사를 사용하여 금속 고정구를 데스크탑 밑면에 고정하십시오 .



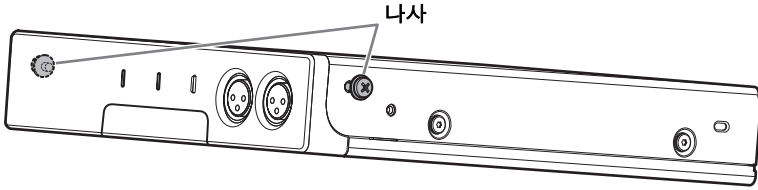
위 그림에서 윗부분이 앞쪽을 향합니다 .



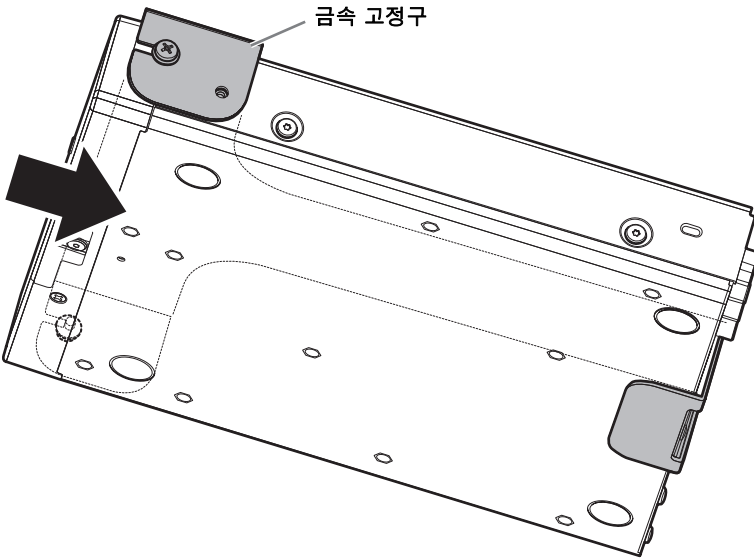
경고 : 데스크탑 재질에 적합한 나사를 사용해야 합니다 .
기기가 떨어지면 부상을 입거나 제품이 손상될 수 있습니다 .

2. 포함된 2 개의 나사를 이 제품의 장착 액세서리 부착 구멍의 전면 구멍에 임시로 설치하십시오.

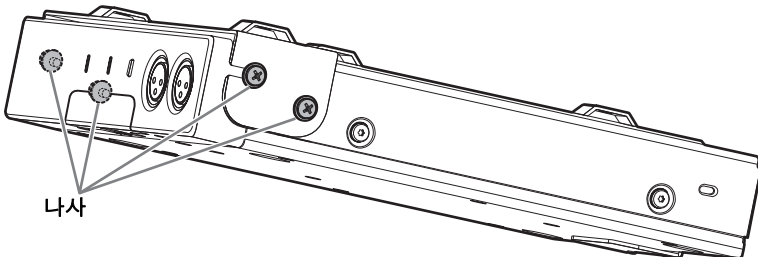
그렇게 할 때 나사가 금속 고정구와 맞물릴 수 있도록 기기 측면과 나사 머리 사이에 약 2 mm의 간격을 두십시오.



3. 2단계에서 임시로 설치한 나사가 책상 아래에 부착된 금속 고정구의 슬롯에 맞물리도록 기기를 슬라이드합니다.



4. 장착 액세서리의 부착 구멍에 있는 4 개의 나사를 조입니다.



주요 사양

일반 사양

치수	W215 mm × D264 mm × H44 mm	
무게	1.6 kg	
전원	PoE+ (IEEE802.3at, LLDP), DC 48 V	
최대 소비 전력	15.0 W	
온도	작동	0 °C – 40 °C
	보관	-20 °C – 60°C
습도	작동	30% – 90% (비응결)
	보관	20% – 90% (비응결)
표시등	<ul style="list-style-type: none"> • 전원 • 상태 • Bluetooth • 네트워크 포트 표시등 (×3) 	
부속품	설치설명서 (본 문서), 액세스 패널 (나사 포함), USB 케이블 (A-B 타입), USB 케이블 (A- 마이크로 B 타입), 다리 (고무 다리) (4 개)	
별매 항목	장착 액세스서리 : RM-MTL 장착 액세스서리 : RM-MRK	

오디오 사양

주파수 응답		20 Hz – 20 kHz	
샘플링 속도		48 kHz	
비트 심도		24 비트	
지연 시간		8[Ms] (Dante 입력에서 USB 출력, 신호 처리 포함)	
오디오 간섭	Dante	16 입력 × 16 출력	
	USB	USB2.0 타입 -B, 오디오 클래스 1.0 입력 : 2ch, 출력 : 2ch @48 kHz	
	마이크 입력	XLR 밸런스드, 입력 2ch	
	AUX	RCA 언밸런스드 (라인 레벨), 입력 : 2ch, 출력 : 2ch	
	스피커 출력	RCA 언밸런스드 (라인 레벨), 출력 : 2ch	
	Bluetooth	버전 4.2 지원되는 프로토콜 : HFP(1.6), A2DP, AVRCP(1.6) 지원되는 코덱 : CVSD, SBC, mSBC 무선 출력 : 클래스 2 최대 통신 거리 : 10 미터 (장애물이 없는 경우) 무선 주파수 (작동 주파수) : 2,402 – 2,480 MHz 최대 출력 파워 (EIRP) : 4.0 dBm (2.5 mW)	
	SIP	호출 처리	다이얼, 응답, 대기, 복귀, 전송, 방해하지 마시오, 호출 ID, 보이스 메일 공지 (스위치 설정)
		호출 브릿징	브릿징 SIP, USB, BT 및 AUX 호출을 지원 . 결합, 분리, 대기, 복귀, 5+1 라인 : 최대 2 SIP 호출, 1 USB 호출, 1 Bluetooth 호출, 1 AUX 플러스 사용자
		코덱	G.711, G.722HD, G.729ab, G.726
		DTMF 지원	RTP 이벤트, SIP 인밴드, SIP 정보 패키지
보안		SRTP 지원 (RFC 1889), IETF SIP 지원 (RFC 3261 및 부속 RFC)	

네트워크 사양

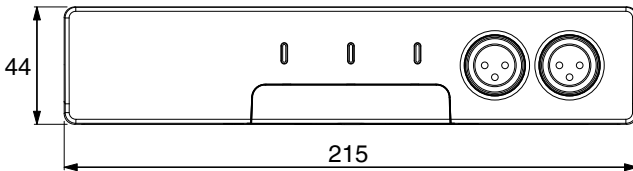
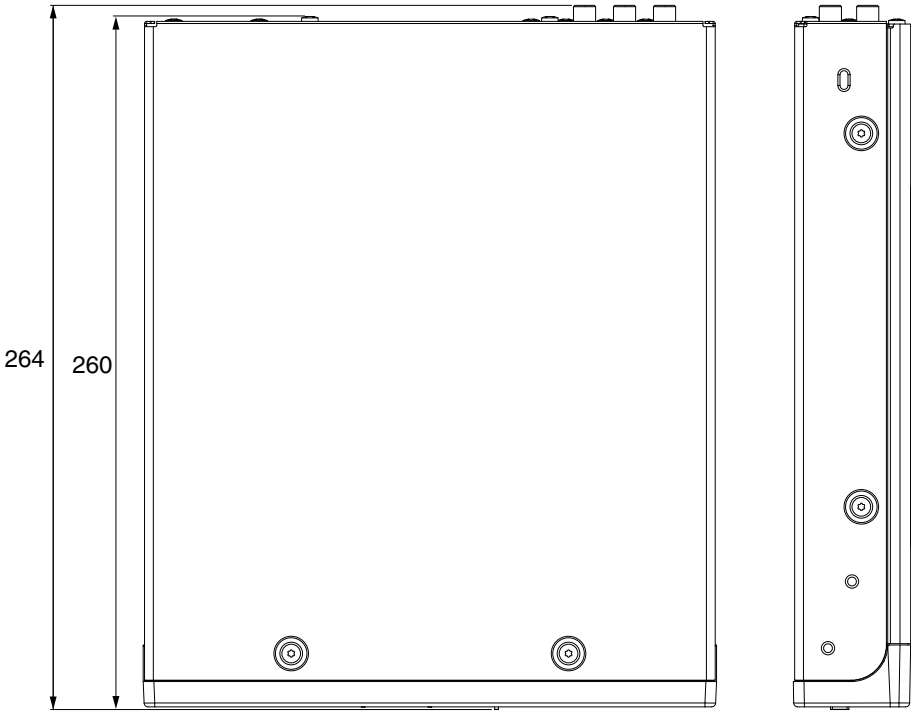
[Dante/PoE] 포트	Dante 오디오 /Dante 제어, 원격 제어, WebUI, PoE+ 지원 케이블 요구 사항: CAT5e 이상, STP
네트워크 포트	회사 네트워크, 원격 제어, SIP, WebUI 케이블 요구 사항: CAT5e 이상, STP
[SETUP] 포트	USB2.0 마이크로, 네트워크 클래스, WebUI, 고정 IP 케이블 요구 사항: USB 케이블 (A- 마이크로 B 타입)

입력 / 출력 특성

입력 단자	실제 부하 임피던스	공칭 사용 시	입력 레벨		커넥터
			공칭	최대 클립 전	
MIC IN 1, 2	2.2 k Ω	50 - 600 Ω	-46 dBu	-26 dBu	XLR-3-31 (밸런스드)
AUX IN L, R	20 k Ω	1 k Ω	-14 dBV	+6 dBV	RCA PIN

출력 단자	실제 소스 임피던스	공칭 사용 시	출력 레벨		커넥터
			공칭	최대 클립 전	
AUX OUT L, R	1 k Ω	10 k Ω	-14 dBV	+6 dBV	RCA PIN
SP OUT L, R	1 k Ω	10 k Ω	-14 dBV	+6 dBV	RCA PIN

치수도



단위 : mm

目次

安全上のご注意.....	184
使用上のご注意.....	188
お知らせ.....	189
はじめに.....	191
付属品.....	191
別売品.....	191
マニュアルの構成.....	191
各部の名称と機能.....	192
前面.....	192
背面.....	194
側面.....	195
底面.....	196
ラックへの設置.....	197
机への設置.....	199
主な仕様.....	201
寸法図.....	204

機種名（品番）、製造番号（シリアルナンバー）、電源条件などの情報は、製品の底面にある銘板または銘板付近に表示されています。製品を紛失した場合などでもご自身のものを特定していただけるよう、機種名と製造番号については以下の欄にご記入の上、大切に保管していただくことをおすすめします。

機種名

製造番号

(bottom_ja_02)

安全上のご注意

ご使用前に、必ずよくお読みください。

必ずお守りください

ここに示した注意事項は、製品を安全に正しくご使用いただき、お客様や他の方々への危害や財産への損害を未然に防止するためのものです。

お読みになったあとは、本製品を使用される方がいつでも見られるところに必ず保管してください。

データが破損したり失われた場合の補償や、不適切な使用や改造により故障した場合の補償はいたしかねますので、ご了承ください。

記号表示について

本製品や施工説明書に表示されている記号には、次のような意味があります。

注意喚起を示す記号	禁止を示す記号	行為を指示する記号
		



警告

「死亡する可能性または重傷を負う可能性が想定される」内容です。

火に注意



禁止

本製品の近くで、火気を使用しない。

火災の原因になります。

聴覚障害



必ず実行

電源を入れたり切ったりする前に、必ず本製品や接続している機器の音量(ボリューム)を最小にする。

聴覚障害、感電または機器の損傷の原因になることがあります。



必ず実行

オーディオシステムの電源を入れるときは、パワーアンプをいつも最後に入れる。電源を切るときは、パワーアンプを最初に切る。

聴覚障害やスピーカーの損傷の原因になることがあります。

ワイヤレス機器



禁止

- ・ 医療機器の近くなど、電波の使用が制限された区域で使用しない。
 - ・ 心臓ペースメーカーや除細動器の装着部分から 15 cm 以内で使用しない。
- 本製品内から発生する電波が動作に影響を与えるおそれがあります。



注意

「傷害を負う可能性が想定される」内容です。

異常に気づいたら



必ず実行

下記のような異常が発生した場合、すぐに PoE インジェクターまたは PoE ネットワークスイッチの電源を切り、ケーブルを抜く。

- ・ LAN ケーブルが破損した場合
- ・ 製品から異常なおいや煙が出た場合
- ・ 製品の内部に水や異物が入った場合
- ・ 使用中に音が出なくなった場合
- ・ 製品に亀裂、破損がある場合

そのまま使用を続けると、感電や火災、または故障のおそれがあります。至急、お買い上げの販売店またはヤマハ修理ご相談センターに点検や修理をご依頼ください。

設置と接続



必ず実行

本製品と PoE インジェクターまたは PoE ネットワークスイッチとの接続には、IEEE802.3at 規格の最大給電電圧 (57V) に対応した CAT5e 以上の LAN ケーブルを使用する。

規格に適合していないケーブルやフラットタイプやスリムタイプのケーブルを接続すると、火災や故障の原因になります。



禁止

ケーブルを傷つけない。

- ・ 重いものを上へのせない
- ・ 加工をしない
- ・ ステープルで止めない
- ・ 無理な力を加えない
- ・ 熱器具には近づけない

火災や感電、故障の原因になります。



禁止

不安定な場所や振動の多い場所に置かない。

本製品が転倒して故障したり、けがをしたりする原因になります。



禁止

本製品を子供の手の届くところに置かない。

本製品は子供がいる可能性のある場所での使用には適していません。



本製品の通風孔(放熱用スリット)をふさがない。

内部の温度上昇を防ぐため、本製品の背面 / 側面には通風孔があります。通風孔をふさぐと、製品内部に熱がこもり、故障や火災の原因になることがあります。

禁止



本製品を設置する際は、

- 布やテーブルクロスをかけない。
- じゅうたんやカーペットなどの上には設置しない。
- 天面以外を上にして設置しない。
- 風通しの悪い狭いところへは押し込まない。

製品内部に熱がこもり、故障や火災の原因になることがあります。

禁止



本製品をEIA標準ラックにマウントする場合は、197 ページの「ラックマウント時の注意」をよく読んでから設置する。

放熱が不十分だと製品内部に熱がこもり、火災や故障、誤動作の原因になることがあります。

必ず実行



塩害や腐食性ガスが発生する場所に設置しない。

故障の原因になります。

禁止



本製品を移動するときは、必ずすべての接続ケーブルを外した上で行う。

ケーブルをいためたり、お客様や他の方々が転倒したりするおそれがあります。

必ず実行



ケーブルは人が通るところなど引っかけやすい場所に這わせない。

つまずいて転倒したり、本製品が落下して破損したり、けがをしたりする原因になります。

必ず実行



別売のマウントアクセサリ RM-MTL を使用して2 m以上の高さの天井、および壁面に取り付けない。

落下によるけがや機器破損の原因になります。

禁止



取り付け工事は、必ずお買い上げの販売店に依頼する。

不適切な取り付けは、事故やけが、本製品の損傷や故障の原因となります。

必ず実行

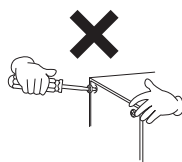
分解禁止



本製品を分解したり改造したりしない。

感電や火災、けが、または故障の原因になります。本製品の内部には、お客様が修理 / 交換できる部品はありません。

禁止



水に注意



禁止

- 本製品の上に花瓶や薬品など液体の入ったものを置かない。
 - 浴室や雨天時の屋外など湿気の多いところで使用しない。
- 内部に水などの液体が入ると、感電や火災、または故障の原因になります。



禁止

- ぬれた手でケーブルを抜き差ししない。
- 感電のおそれがあります。

取り扱い



禁止

- 本製品の通風孔に手や指を入れない。
- けがをするおそれがあります。



禁止

- 本製品の上ののったり重いものをのせたりしない。
- 本製品が破損したり、けがをしたりする原因になります。

バックアップバッテリー



禁止

- バックアップバッテリーを自分で交換しない。
- 誤って交換すると爆発や故障の原因となることがあります。

使用上のご注意

製品の取り扱い / お手入れに関するご注意

- 本製品をインターネットに接続する場合は、セキュリティーを保つため必ずルーターなどを経由し接続する。経由するルーターなどには適切なパスワードを設定する。電気通信事業者（移动通信会社、固定通信会社、インターネットプロバイダーなど）の通信回線（公衆回線 LAN を含む）には直接接続しない。
- テレビやラジオなど、他の電気製品の近くで使用しない。
本製品、または他の電気製品に雑音が生じる原因になります。
- 極端に温度の高いところや低いところ、ほこりや振動の多いところで使用しない。
本製品のパネルが変形したり、内部の部品が故障したり、動作が不安定になったりする原因になります。
- 温度変化が激しい場所に設置しない。
製品内部や表面に結露が発生し、故障したりする原因になります。
- 結露が発生しているおそれがあるときは、しばらく放置してから電源を入れる。
結露した状態で電源が入ると、故障の原因になります。
- 本製品上にビニール製品やプラスチック製品、ゴム製品などを置かない。
パネルの変色 / 変質の原因になります。
- お手入れのときは、ベンジン、シンナー、洗剤、化学ぞうきんなどで製品の表面を拭かない。
変色 / 変質する原因になります。
- 本製品に付属のゴム足はすべり止め用です。すべりやすい机や台などの上に本製品を置く場合にご使用ください。

無線に関するご注意

本製品の使用周波数帯では、電子レンジなどの産業・科学・医療用機器の他、工場の製造ライン等で使用されている移動体識別用の構内無線局（免許を要する無線局）および特定小電力無線局（免許を要しない無線局）並びにアマチュア無線局（免許を要する無線局）が運用されています。

- この機器を使用する前に、近くで移動体識別用の構内無線局および特定小電力無線局並びにアマチュア無線局が運用されていないことを確認してください。
- 万一、この機器から移動体識別用の構内無線局に対して有害な電波干渉の事例が発生した場合には、速やかに使用場所を変えるか、または機器の運用を停止（電波の発射を停止）してください。

お知らせ

製品の機能 / データに関するお知らせ



- 本製品は、クラス A 機器です。本製品を住宅環境で使用すると電波妨害を引き起こすことがあります。この場合には使用者が適切な対策を講ずるよう要求されることがあります。(VCCI-A)
- 本製品で使用しているオープンソースソフトウェアのライセンス条文については、下記のウェブサイトをご覧ください。
<https://download.yamaha.com/>
- 本製品は Dante Broadway を使用しています。
使用しているオープンソースライセンスについては、Audinate 社のウェブサイト（英語）をご覧ください。
<https://www.audinate.com/software-licensing>
- XLR タイプコネクタのピン配列は、以下のとおりです（IEC60268 規格に基づいています）。
1: グラウンド (GND)、2: ホット (+)、3: コールド (-)

Bluetooth®

- Bluetooth® のワードマークおよびロゴは、BluetoothSIG, Inc. が所有する登録商標であり、ヤマハ株式会社はこれらのマークをライセンスに基づいて使用しています。その他の商標およびトレードネームは、それぞれの所有者に帰属します。

施工説明書の記載内容に関するお知らせ

- 本施工説明書に記載されている記号とその内容は以下のとおりです。

 警告	「死亡する可能性または重傷を負う可能性が想定される」内容です。
 注意	「傷害を負う可能性が想定される」内容です。
ご注意	製品の故障、損傷や誤動作、データの損失を防ぐため、お守りいただく内容です。
重要	製品を正しく操作、運用するために、必ず知っておいていただきたい内容です。
メモ	操作や運用に関連した情報です。参考にお読みください。

- この施工説明書に掲載されているイラストは、すべて説明のためのものです。
- その他、本書に記載されている会社名および商品名等は、各社の登録商標または商標です。
- 弊社では製品のソフトウェアを継続的に改善しています。最新のソフトウェアは、ヤマハウェブサイトからダウンロードできます。
- 本書は、発行時点での最新仕様で説明しています。最新版は、ヤマハウェブサイトからダウンロードできます。

廃棄に関するお知らせ

本製品は、リサイクル可能な部品を含んでいます。廃棄される際には、廃棄する地方自治体にお問い合わせください。

本機の無線方式について

2.4 FH 1

- 「2.4」..... 2.4 GHz 帯を使用する無線設備
「FH」..... 変調方式は周波数ホッピング（FH-SS 方式）
「1」..... 想定干渉距離が 10 m 以内
.....全帯域を使用し、かつ移動体識別装置の帯域を回避可能

はじめに

このたびは、シグナルプロセッサー RM-CR をお買い求めいただきまして、まことにありがとうございます。本製品は、オフィスの中規模会議室にて高品位で快適な遠隔会議を行うための音声処理を実現するシグナルプロセッサーです。ご使用前に本書を必ずお読みください。また、お読みになったあとも、大切に保管してください。

付属品

- 施工説明書（本書）
- アクセスパネル（ネジ付き）
- USB ケーブル（A-B タイプ、5 m、音声通信用）
- USB ケーブル（A-micro B タイプ、1 m、設定用）
- ゴム足（4 個）
- 保証書

別売品

- **マウントアクセサリ RM-MRK**
19 インチラックに取り付ける場合に必要です。
RM-MRK の取り付け方は「ラックへの設置」（197 ページ）を参照してください。
- **マウントアクセサリ RM-MTL**
机の天板裏に取り付ける場合に必要です。
RM-MTL の取り付け方は「机への設置」（199 ページ）を参照してください。

マニュアルの構成

本製品については、本施工説明書以外に下記の資料があります。

- **RM-CR リファレンスマニュアル**
本製品と外部機器との接続や Web UI を使った設定の説明をしています。
関連文書は、以下のウェブサイトからダウンロードしてください。
<https://download.yamaha.com/>

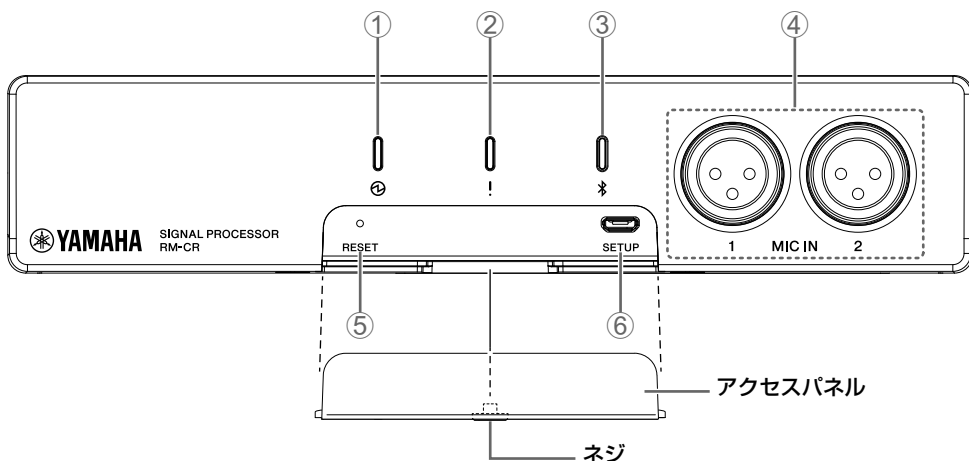
各部の名称と機能

前面

ここでは出荷時のイラストで説明しています。

設定をしたあとに付属のアクセスパネルをネジ止めして、[RESET] ボタンと [SETUP] 端子に触られないようにしてください。

各インジケータの詳細については「RM-CR リファレンスマニュアル」を参照してください。



① (Power) インジケータ

電源のインジケータです。リアパネルの [Dante/PoE] 端子に電源が正しく供給されると点灯します。

② ! (Status) インジケータ

本体の状態を表します。

③ * (Bluetooth) ボタン / インジケータ

スマートフォンと Bluetooth でペアリングをする際に押します。
スマートフォンと接続して遠隔地と音声のやりとりをすることができます。

④ [MIC IN] 1/2 端子

ダイナミックマイクを接続する XLR 端子（バランス）です。コンデンサーマイクは接続しないでください。

⑤ [RESET] ボタン

長押しして設定をリセットします。

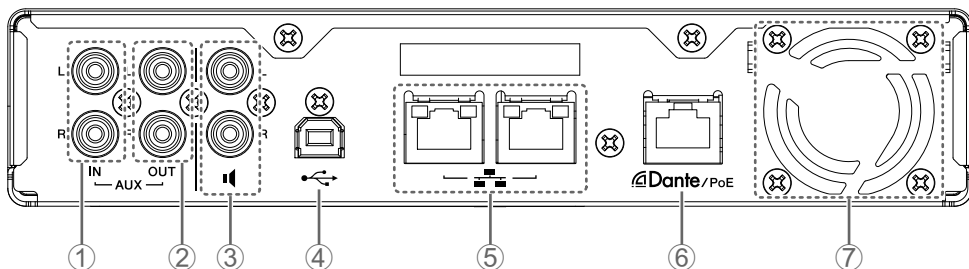
ボタンはイジェクトピンのように先の細いもので押ししてください。

長押し	Status インジケータ	リセットの対象
4 秒以上～ 8 秒未満	1 秒間に 2 回点滅	ネットワーク関連の設定
8 秒以上～ 12 秒未満	1 秒間に 3 回点滅	すべての設定 (初期化後、自動的に再起動)

4 秒未満または 12 秒以上の長押しではリセットできません。

⑥ [SETUP] 端子

コンピューターと接続して、Web ブラウザーで設定をするための端子です。接続には付属の USB ケーブル（A-micro B タイプ）を使ってください。設定については「RM-CR リファレンスマニュアル」を参照してください。



① [AUX IN]L/R 端子

音声を入力する RCA 端子（アンバランス）です。遠隔地からの音声アナログの場合は、この端子を使います。

② [AUX OUT]L/R 端子

音声を出力する RCA 端子（アンバランス）です。遠隔地への音声アナログの場合は、この端子を使います。

③ スピーカー端子

音声を出力する RCA 端子（アンバランス）です。遠隔会議システムに使うパワーアンプ内蔵スピーカーやパワーアンプが Dante に対応していない場合は、この端子を使います。

④ USB 端子

コンピューターと接続して遠隔地と音声のやりとりをするためにこの端子を使います。接続には付属の USB ケーブル（A-B タイプ）を使ってください。

⑤ ネットワーク端子

LAN ケーブル（CAT5e 以上）を接続して、社内ネットワークなどを使って遠隔管理 / 設定をするための RJ-45 端子です。

初期状態では DHCP に設定されています。任意の IP アドレスを使う場合は、社内ネットワークにつなぐ前に Web UI を使って IP アドレスの設定をしてください。設定については「RM-CR リファレンスマニュアル」を参照してください。

また、公衆ネットワークに接続して、SIP プロトコルで遠隔地と音声のやりとりをすることもできます。

ご注意：使用できるケーブルは最長 100m です。

：電磁干渉防止のためには、STP ケーブル（シールド付きツイストペアケーブル）をお使いください。

⑥ [Dante/PoE] 端子

LAN ケーブル (CAT5e 以上) を使用して、IEEE802.3at 対応の PoE インジェクターまたは PoE ネットワークスイッチを介し、RM-CG などの Dante 機器と接続する RJ-45 端子です。

ご注意 : Dante 対応機器またはギガビットイーサネット対応機器 (コンピューターを含む) 以外は接続しないでください。

: 使用できるケーブルは最長 100m です。

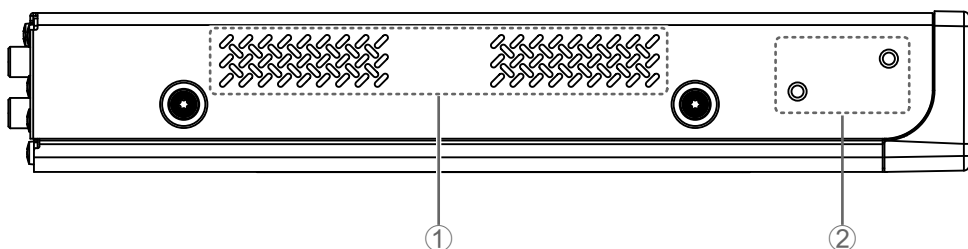
: 電磁干渉防止のためには、STP ケーブル (シールド付きツイストペアケーブル) をお使いください。

⑦ 排気口

本製品には冷却用ファンが装備されています。ここから排気が行われますので、障害物などで排気口をふさぐことのないようにご注意ください。

側面

前面から見て左側の面をイラストで説明します。



① 吸気口

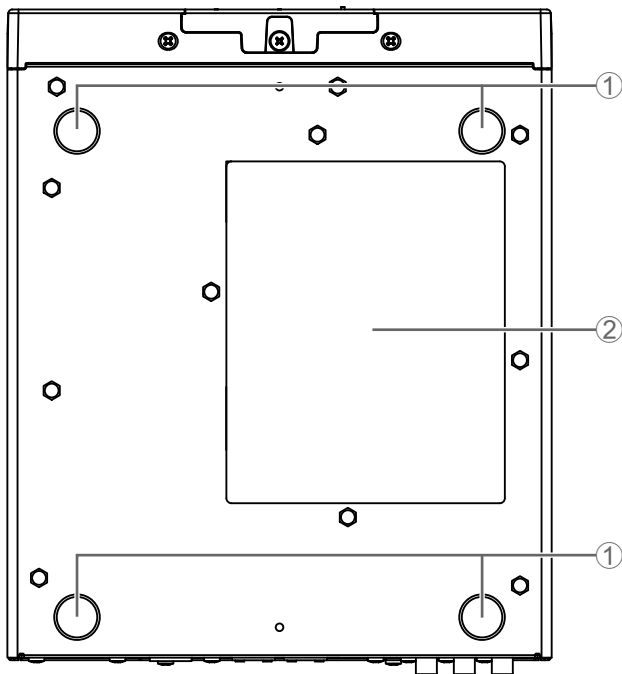
ここから吸気されますので、障害物などで吸気口をふさがないようにご注意ください。また、定期的に清掃してください。吸気口にはほりかたつまると、機器の温度が上昇し、機器が正常に動作しないことがあります。

② マウントアクセサリ取り付け穴

マウントアクセサリ RM-MRK や RM-MTL を取り付ける際に使用します。

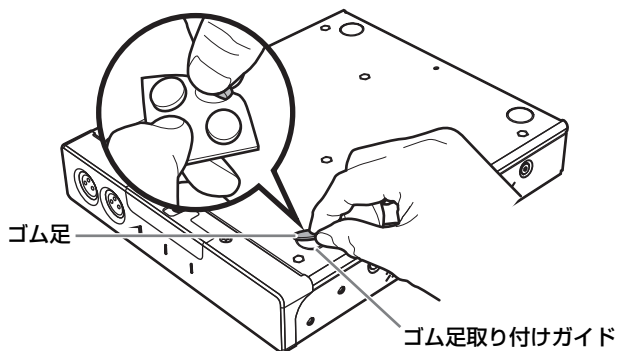
RM-MRK の取り付け方は「ラックへの設置」(197 ページ) を参照してください。

RM-MTL の取り付け方は「机への設置」(199 ページ) を参照してください。



① ゴム足取り付けガイド

付属のゴム足を取り付ける位置です。付属のゴム足は図のように取り付けてください。



② 製品ラベル

本製品の機器名、製造番号、MAC アドレスなどを記載しています。

ラックへの設置

別売品のマウントアクセサリ RM-MRK を使用して設置します。

ラックマウント時の注意

本製品が動作保証する周囲温度は 0 ~ 40 °C です。本製品を他の機器と一緒にラックにマウントする場合、各機器からの熱でラック内の温度が上昇し、十分な性能を発揮できないことがあります。本製品に熱がこもらないように、必ず以下の条件でラックにマウントしてください。

- パワーアンプなどの発熱しやすい機器と一緒にマウントする場合は、他の機器との間隔を 1U 以上空けてください。また、このスペースは通風パネルを取り付けたり、開放したりして、十分な通気を確保してください。
- ラックの背面を開放して、ラックを壁や天井から 10 cm 以上離し、十分な通気を確保してください。ラック背面を開放できない場合は、ラックに市販のファンキットなどの強制換気用装置を設置してください。ファンキットを取り付けた場合は、ラックの背面を閉じた方が放熱効果が大きくなることもあります。詳しくはラックおよびファンキットの取扱説明書を参照してください。

注意：ラックを移動するときは、必ず本製品をラックから取り外してください。



ラックにマウントしたままで移動すると、振動などによりマウントアクセサリが変形または破損して、けがの原因になることがあります。また、本製品が故障する可能性があります。

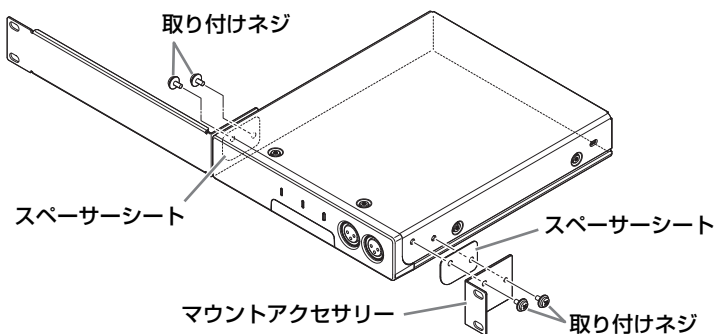
【取り付け方法】

前面から見て左側に長い金具を取り付ける場合を例に説明します。逆に取り付ける場合も、次の手順に従ってください。

ご注意： 本製品に付属のゴム足が取り付けられている場合は、外してください。

1. 本製品と金具の間に付属しているスペーサーシートを挟んで金具を取り付けます。

本製品の両側面に、マウントアクセサリに付属の取り付けネジ（4本）を使って金具を固定してください。

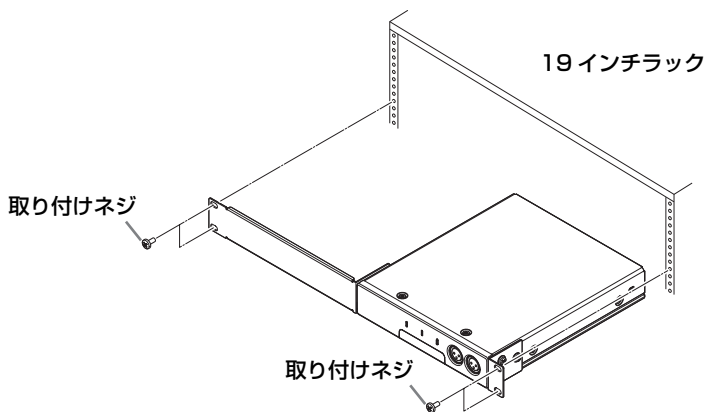


警告： 必ずマウントアクセサリ付属の指定されたネジを使用する。

落下によるけがや機器破損の原因になります。また、感電や故障の原因になります。

2. 金具を 19 インチラックに取り付けます。

19 インチラックに付属している取り付けネジ 4 本を使用し、金具を取り付けてください。取り付けネジはゆるまないように十分に締め付けてください。



机への設置

別売品のマウントアクセサリー RM-MTL を使用して設置します。

机の天板裏の材質や厚さに合わせてネジ径が約 5 mm (M5 相当) のネジ 4 本をご用意ください。

取り付けは手順4まで実施してください。



警告： 本製品を机の天板裏以外に取り付けない。

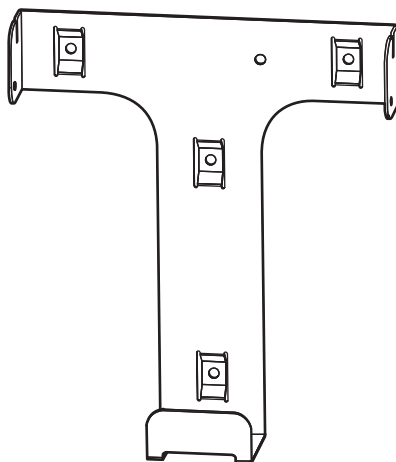
落下によるけがや機器破損の原因になります。

注意： 取り付け工事は、必ず専門の施工会社に依頼する。また、取り付ける場合は、以下の点に注意する。



- 本製品の重量に十分に耐えられる取り付け器具と場所を選ぶ
- 継続して振動があるような場所は避ける
- 必ず指定された取り付け工具を使用する
- 定期的に保守点検を行う

1. 机の天板裏に市販のネジ径が約 5 mm のネジ 4 本を使って、金具を固定します。



上記イラストの上が前面側となります。

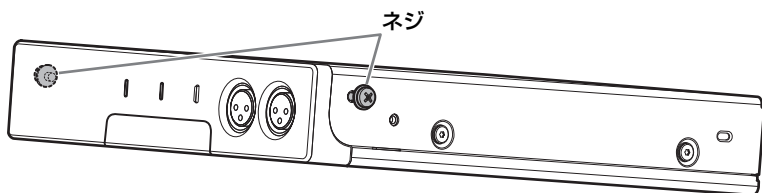


警告： 必ず机の天板の材質に適合したネジを使用する。

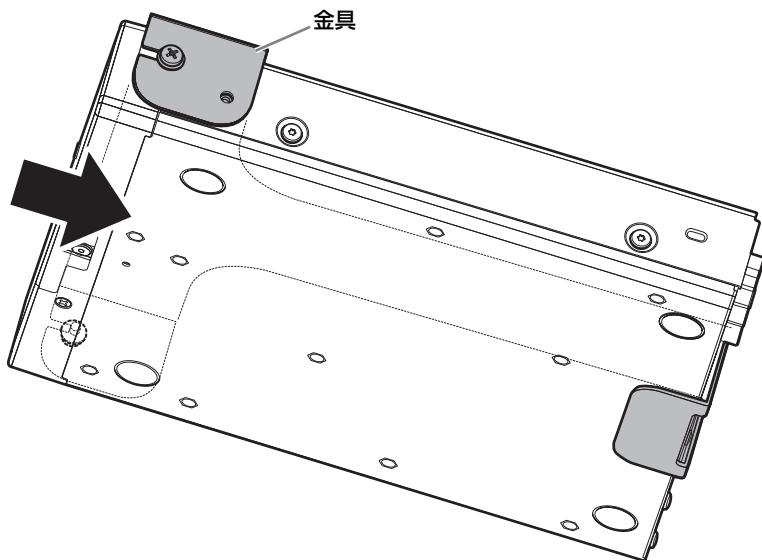
落下によるけがや機器破損の原因になります。

2. 本製品のマウントアクセサリー取り付け穴のうち、前面側に付属のネジを両側仮止めます。

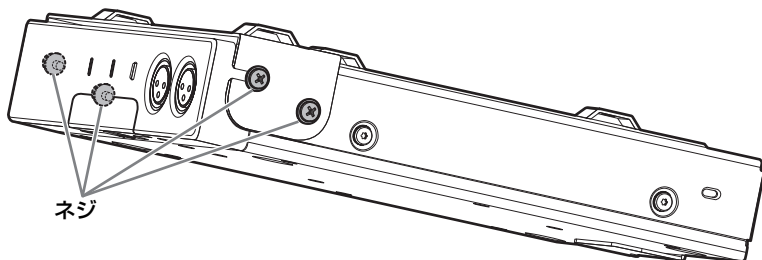
その際に、本製品とネジのくび下に約 2 mm の金具の引っ掛けしろを残してください。



3. 手順 2 で仮止めたネジを、机の下に取り付けた金具に引っかけてすらしめます。



4. マウントアクセサリー取り付け穴 4 箇所のネジを締めます。



主な仕様

一般仕様

寸法	W215 mm × D264 mm × H44 mm	
質量	1.6 kg	
電源	PoE+ (IEEE802.3at)、DC 48 V	
最大消費電力	15.0 W	
温度	動作	0 °C ~ 40 °C
	保管	-20 °C ~ 60 °C
湿度	動作	30 ~ 90 % (結露しないこと)
	保管	20 ~ 90 % (結露しないこと)
インジケータ	<ul style="list-style-type: none">• Power• Status• Bluetooth• Network Port Indicator (×3)	
付属品	施工説明書 (本書)、アクセスパネル (ネジ付き)、USB ケーブル (A-B タイプ)、USB ケーブル (A-micro B タイプ)、ゴム足 (4 個)、保証書	
別売品	マウントアクセサリ : RM-MTL マウントアクセサリ : RM-MRK	

オーディオ仕様

周波数特性		20 Hz ~ 20 kHz	
サンプリングレート		48 kHz	
ビット数		24 bit	
レイテンシー		8 [ms] (Dante In to USB Out、信号処理を含む)	
オーディオ インターフェース	Dante	16 in × 16 out	
	USB	USB2.0 type-B、Audio Class 1.0 Input : 2ch、Output : 2ch @48 kHz	
	Mic Input	XLR balanced、Input 2ch	
	AUX	RCA unbalanced (Line Level)、 Input : 2ch、Output : 2ch	
	Speaker Out	RCA unbalanced (Line Level)、 Output : 2ch	
	Bluetooth	バージョン 4.2 対応プロファイル : HFP (1.6)、A2DP、AVRCP (1.6) 対応コーデック : CVSD、SBC、mSBC 無線出力 : Class2 最大通信距離 : 10 m (障害物がないこと) 無線周波数 (動作周波数) : 2,402 ~ 2,480 MHz 最大出力電力 (EIRP) : 4.0 dBm (2.5 mW)	
	SIP	Call Handling	Dial, Answer, Hold, Resume, Forwarding, Do not disturb, Call ID, Voice Mail Notifications (switch configured)
		Call Bridging	Supports Bridging SIP, USB, BT and AUX Calls. Join, Split, Hold, Resume, 5+1 Lines: Up to 2 SIP calls, 1 USB call, plus the user
		Codecs	G.711, G.722HD, G.729ab, G.726
		DTMF Support	RTP event, SIP in-band, SIP info package
Security		SRTP Support (RFC 1889), IETF SIP support (RFC 3261 and companion RFCs)	

ネットワーク仕様

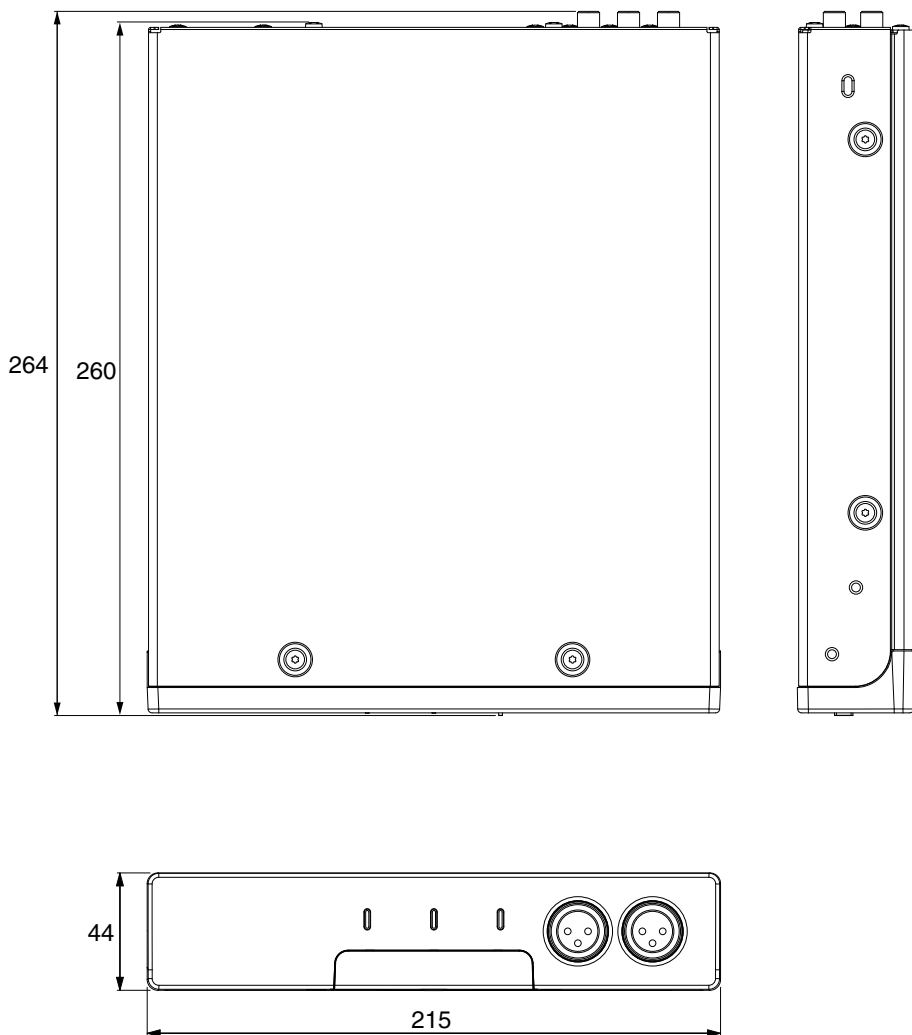
[Dante/PoE] 端子	Dante Audio/Dante Control、リモートコントロール、WebUI、PoE+ 対応 CAT5e 以上の STP ケーブルを使用すること
ネットワーク端子	Corporate Network、リモートコントロール、SIP、WebUI CAT5e 以上の STP ケーブルを使用すること
[SETUP] 端子	USB2.0 micro、Network Class、WebUI、固定 IP A-micro B タイプの USB ケーブルを使用すること

入出力特性

Input Terminal	Actual Load Impedance	For Use With Nominal	Input Level		Connector
			Nominal	Max. Before Clip	
MIC IN 1、2	2.2 k Ω	50 ~ 600 Ω	- 46 dBu	- 26 dBu	XLR-3-31 (Balanced)
AUX IN L、R	20 k Ω	1 k Ω	- 14 dBV	+6 dBV	RCA PIN

Output Terminal	Actual Source Impedance	For Use With Nominal	Output Level		Connector
			Nominal	Max. Before Clip	
AUX OUT L、R	1 k Ω	10 k Ω	- 14 dBV	+6 dBV	RCA PIN
SP OUT L、R	1 k Ω	10 k Ω	- 14 dBV	+6 dBV	RCA PIN

寸法図



単位：mm

EN	SIMPLIFIED EU DECLARATION OF CONFORMITY
<p>Hereby, Yamaha Music Europe GmbH declares that the radio equipment type [RM-CR] is in compliance with Directive 2014/53/EU. The full text of the EU declaration of conformity is available at the following internet address: https://europe.yamaha.com/en/support/compliance/doc.html</p>	
FR	DECLARATION UE DE CONFORMITE SIMPLIFIEE
<p>Le soussigné, Yamaha Music Europe GmbH, déclare que l'équipement radioélectrique du type [RM-CR] est conforme à la directive 2014/53/UE. Le texte complet de la déclaration UE de conformité est disponible à l'adresse internet suivante: https://europe.yamaha.com/en/support/compliance/doc.html</p>	
DE	VEREINFACHTE EU-KONFORMITÄTSERKLÄRUNG
<p>Hiermit erklärt Yamaha Music Europe GmbH, dass der Funkanlagentyp [RM-CR] der Richtlinie 2014/53/EU entspricht. Der vollständige Text der EU-Konformitätserklärung ist unter der folgenden Internetadresse verfügbar: https://europe.yamaha.com/en/support/compliance/doc.html</p>	
SV	FÖRENKLAD EU-FÖRSÄKRAN OM ÖVERENSSTÄMMESE
<p>Härmed försäkrar Yamaha Music Europe GmbH att denna typ av radioutrustning [RM-CR] överensstämmer med direktiv 2014/53/EU. Den fullständiga texten till EU-försäkran om överensstämmelse finns på följande webbadress: https://europe.yamaha.com/en/support/compliance/doc.html</p>	
IT	DICHIARAZIONE DI CONFORMITÀ UE SEMPLIFICATA
<p>Il fabbricante, Yamaha Music Europe GmbH, dichiara che il tipo di apparecchiatura radio [RM-CR] è conforme alla direttiva 2014/53/UE. Il testo completo della dichiarazione di conformità UE è disponibile al seguente indirizzo Internet: https://europe.yamaha.com/en/support/compliance/doc.html</p>	
ES	DECLARACIÓN UE DE CONFORMIDAD SIMPLIFICADA
<p>Por la presente, Yamaha Music Europe GmbH declara que el tipo de equipo radioeléctrico [RM-CR] es conforme con la Directiva 2014/53/UE. El texto completo de la declaración UE de conformidad está disponible en la dirección Internet siguiente: https://europe.yamaha.com/en/support/compliance/doc.html</p>	
PT	DECLARAÇÃO UE DE CONFORMIDADE SIMPLIFICADA
<p>O(a) abaixo assinado(a) Yamaha Music Europe GmbH declara que o presente tipo de equipamento de rádio [RM-CR] está em conformidade com a Diretiva 2014/53/UE. O texto integral da declaração de conformidade está disponível no seguinte endereço de Internet: https://europe.yamaha.com/en/support/compliance/doc.html</p>	
NL	VEREENVOUDIGDE EU-CONFORMITEITSVERKLARING
<p>Hierbij verklaar ik, Yamaha Music Europe GmbH, dat het type radioapparatuur [RM-CR] conform is met Richtlijn 2014/53/EU. De volledige tekst van de EU-conformiteitsverklaring kan worden geraadpleegd op het volgende internetadres: https://europe.yamaha.com/en/support/compliance/doc.html</p>	
BG	ОПРОСТЕНА ЕС ДЕКЛАРАЦИЯ ЗА СЪОТВЕТСТВИЕ
<p>С настоящото Yamaha Music Europe GmbH декларира, че този тип радиосъоръжение [RM-CR] е в съответствие с Директива 2014/53/ЕС. Цялостният текст на ЕС декларацията за съответствие може да се намери на следния интернет адрес: https://europe.yamaha.com/en/support/compliance/doc.html</p>	
CS	ZJEDNODUŠENÉ EU PROHLÁŠENÍ O SHODĚ
<p>Tímto Yamaha Music Europe GmbH prohlašuje, že typ rádiového zařízení [RM-CR] je v souladu se směrnicí 2014/53/EU. Úplné znění EU prohlášení o shodě je k dispozici na této internetové adrese: https://europe.yamaha.com/en/support/compliance/doc.html</p>	
DA	FORENKLET EU-OVERENSSTEMMELSESESKLÆRING
<p>Hermed erklærer Yamaha Music Europe GmbH, at radioudstyrstypen [RM-CR] er i overensstemmelse med direktiv 2014/53/EU. EU-overensstemmelseserklæringens fulde tekst kan findes på følgende internetadresse: https://europe.yamaha.com/en/support/compliance/doc.html</p>	
ET	LIHTSUSTATUD ELI VASTAVUSDEKLARATSIOON
<p>Käesolevaga deklareerib Yamaha Music Europe GmbH, et käesolev raadioseadme tüüp [RM-CR] vastab direktiivi 2014/53/EL nõuetele. ELi vastavusdeklaratsiooni täielik tekst on kättesaadav järgmisel internetiaadressil: https://europe.yamaha.com/en/support/compliance/doc.html</p>	

EL	ΑΠΛΟΥΣΤΕΥΜΕΝΗ ΔΗΛΩΣΗ ΣΥΜΜΟΡΦΩΣΗΣ ΕΕ
Με την παρούσα ο/η Yamaha Music Europe GmbH, δηλώνει ότι ο ραδιοεξοπλισμός [RM-CR] πληροί την οδηγία 2014/53/ΕΕ. Το πλήρες κείμενο της δήλωσης συμμόρφωσης ΕΕ διατίθεται στην ακόλουθη ιστοσελίδα στο διαδίκτυο: https://europe.yamaha.com/en/support/compliance/doc.html	
HR	POJEDNOSTAVLJENA EU IZJAVA O SUKLADNOSTI
Yamaha Music Europe GmbH ovime izjavljuje da je radijska oprema tipa [RM-CR] u skladu s Direktivom 2014/53/EU. Cjeloviti tekst EU izjave o sukladnosti dostupan je na sljedećoj internetskoj adresi: https://europe.yamaha.com/en/support/compliance/doc.html	
LV	VIENKĀRŠOTA ES ATBILSTĪBAS DEKLARĀCIJA
Ar šo Yamaha Music Europe GmbH deklarē, ka radioiekārta [RM-CR] atbilst Direktīvai 2014/53/ES. Pilns ES atbilstības deklarācijas teksts ir pieejams šādā interneta vietnē: https://europe.yamaha.com/en/support/compliance/doc.html	
LT	SUPAPRASTINTA ES ATITIKTIES DEKLARACIJA
Aš, Yamaha Music Europe GmbH, patvirtinu, kad radijo įrenginių tipas [RM-CR] atitinka Direktyvą 2014/53/ES. Visas ES atitikties deklaracijos tekstas prieinamas šiuo interneto adresu: https://europe.yamaha.com/en/support/compliance/doc.html	
HU	EGYSZERŰSÍTETT EU-MEGFELELŐSÉGI NYILATKOZAT
Yamaha Music Europe GmbH igazolja, hogy a [RM-CR] típusú rádióberendezés megfelel a 2014/53/EU irányelvnek. Az EU-megfelelőségi nyilatkozat teljes szövege elérhető a következő internetes címen: https://europe.yamaha.com/en/support/compliance/doc.html	
PL	UPROSZCZONA DEKLARACJA ZGODNOŚCI UE
Yamaha Music Europe GmbH niniejszym oświadcza, że typ urządzenia radiowego [RM-CR] jest zgodny z dyrektywą 2014/53/UE. Pełny tekst deklaracji zgodności UE jest dostępny pod następującym adresem internetowym: https://europe.yamaha.com/en/support/compliance/doc.html	
RO	DECLARAȚIA UE DE CONFORMITATE SIMPLIFICATĂ
Prin prezenta, Yamaha Music Europe GmbH declară că tipul de echipamente radio [RM-CR] este în conformitate cu Directiva 2014/53/UE. Textul integral al declarației UE de conformitate este disponibil la următoarea adresă internet: https://europe.yamaha.com/en/support/compliance/doc.html	
SK	ZJEDNODUŠENÉ EÚ VYHLÁSENIE O ZHODE
Yamaha Music Europe GmbH týmto vyhlasuje, že rádiové zariadenie typu [RM-CR] je v súlade so smernicou 2014/53/EÚ. Úplné EÚ vyhlásenie o zhode je k dispozícii na tejto internetovej adrese: https://europe.yamaha.com/en/support/compliance/doc.html	
SL	POENOSTAVLJENA IZJAVA EU O SKLADNOSTI
Yamaha Music Europe GmbH potrjuje, da je tip radijske opreme [RM-CR] skladen z Direktivo 2014/53/EU. Celotno besedilo izjave EU o skladnosti je na voljo na naslednjem spletnem naslovu: https://europe.yamaha.com/en/support/compliance/doc.html	
FI	YKSINKERTAISTETTU EU-VAATIMUSTENMUKAISUUSVAKUUTUS
Yamaha Music Europe GmbH vakuuttaa, että radiolaitetyypin [RM-CR] on direktiivin 2014/53/EU mukainen. EU-vaatimustenmukaisuusvakuutuksen täysimittainen teksti on saatavilla seuraavassa internetosoitteessa: https://europe.yamaha.com/en/support/compliance/doc.html	
TR	BASİTLEŞTİRİLMİŞ AVRUPA BİRLİĞİ UYGUNLUK BİLDİRİMİ
Hİşbu belge ile, Yamaha Music Europe GmbH, radyo cihaz tipinin [RM-CR], Direktif 2014/53/ AB'ye uygunluğunu beyan eder. AB uyumu beyanının tam metni aşağıdaki internet adresinden edinilebilir: https://europe.yamaha.com/en/support/compliance/doc.html	

Importer: Yamaha Music Europe GmbH

Siemensstrasse 22-34, 25462 Rellingen, Germany

This transmitter must not be co-located or operated in conjunction with any other antenna or transmitter.

This equipment complies with FCC radiation exposure limits set forth for an uncontrolled environment and meets the FCC radio frequency (RF) Exposure Guidelines. This equipment should be installed and operated keeping the radiator at least 20cm or more away from person's body.

This equipment complies with ISED radiation exposure limits set forth for an uncontrolled environment and meets RSS-102 of the ISED radio frequency (RF) Exposure rules. This equipment should be installed and operated keeping the radiator at least 20cm or more away from person's body.

This device contains licence-exempt transmitter(s)/receiver(s) that comply with Innovation, Science and Economic Development Canada's licence-exempt RSS(s). Operation is subject to the following two conditions:

1. This device may not cause interference.
2. This device must accept any interference, including interference that may cause undesired operation of the device.

Cet équipement est conforme aux limites d'exposition aux rayonnements énoncées pour un environnement non contrôlé et respecte les règles d'exposition aux fréquences radioélectriques (RF) CNR-102 de l'ISDE. Cet équipement doit être installé et utilisé en gardant une distance de 20 cm ou plus entre le radiateur et le corps humain.

L'émetteur/récepteur exempt de licence contenu dans le présent appareil est conforme aux CNR d'Innovation, Sciences et Développement économique Canada applicables aux appareils radio exempts de licence. L'exploitation est autorisée aux deux conditions suivantes:

1. L'appareil ne doit pas produire de brouillage;
2. L'appareil doit accepter tout brouillage radioélectrique subi, même si le brouillage est susceptible d'en compromettre le fonctionnement.

Yamaha Global Site
U.S.A. and Canada
<https://uc.yamaha.com/>
Other Countries
<https://www.yamaha.com/>

Yamaha Downloads
U.S.A. and Canada
<https://uc.yamaha.com/support/>
Other Countries
<https://download.yamaha.com/>

Manual Development Group
© 2020 Yamaha Corporation
Published 12/2020
2020年12月 发行
IPES-C0

VEZ3860